

Connector set - HC-EVO-B16PT-BWSC-HH-M25-PLRBK - 1408793

Please be informed that the data shown in this PDF Document is generated from our Online Catalog. Please find the complete data in the user's documentation. Our General Terms of Use for Downloads are valid (<http://phoenixcontact.com/download>)



EVO connector set, B16 series, plastic housing, consisting of sleeve housing, panel mounting base, push-in contact inserts: 1407731, 1407732, 1407647, 1407642, 1407670

Your advantages

- Lower costs than metal version
- Labeling option using 9 x 20 mm marking label
- Low weight
- Lower risk of condensation
- Both contact insert PE sheets are connected by means of a metal frame integrated in the sleeve housing
- Metal inlays ensure leading PE contact with angled plugs
- Completely corrosion-resistant
- Halogen-free plastic
- Marking label can be attached



Key Commercial Data

| | |
|--------------|---------------|
| Packing unit | 1 pc |
| GTIN | |
| GTIN | 4046356834100 |

Technical data

General

| | |
|----------------------------------|--------------------|
| Number of positions | 16+PE |
| Type | B16 |
| Connection method | Push-in connection |
| Cable outlet | straight |
| | lateral |
| Degree of protection for housing | IP66 |
| | 12 (UL 50e) |
| Connection method | Push-in connection |

Connector set - HC-EVO-B16PT-BWSC-HH-M25-PLRBK - 1408793

Technical data

General

| | |
|---------------------------------|---|
| Rated voltage (III/3) | 500 V |
| Rated surge voltage | 6 kV |
| Rated current | 16 A |
| Conductor cross section | 0.14 mm ² ... 2.5 mm ² (with ferrule) |
| Connection cross section AWG | 26 ... 14 (with ferrule) |
| External cable diameter | 9 mm ... 17 mm |
| Ambient temperature (operation) | -40 °C ... 100 °C |
| Length of the assembly cutout | 86 mm |
| Width of the assembly cutout | 35 mm |
| Housing material | PA |
| Contact carrier material | PA |
| Locking latch material | PA |
| Integrated protective cover | Yes |

Standards and Regulations

| | |
|--|----|
| Flammability rating according to UL 94 | V0 |
|--|----|

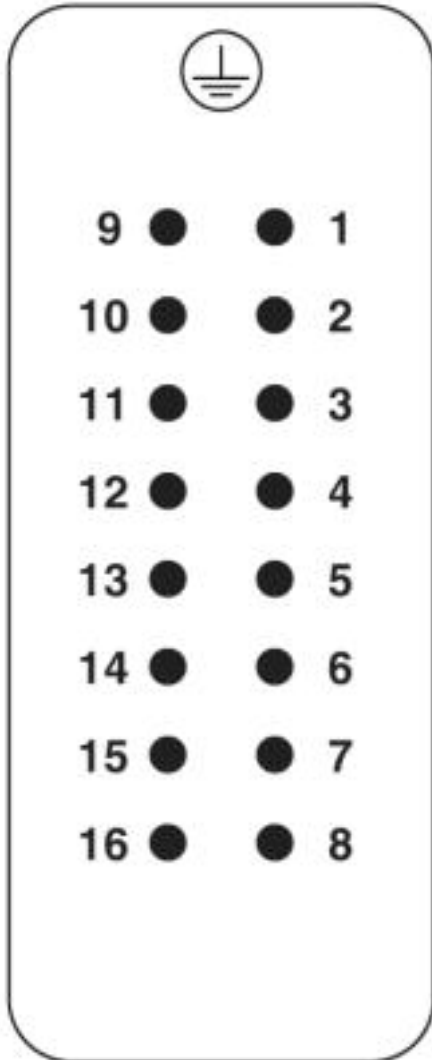
Environmental Product Compliance

| | |
|------------|---|
| China RoHS | Environmentally friendly use period: unlimited = EFUP-e |
| | No hazardous substances above threshold values |

Drawings

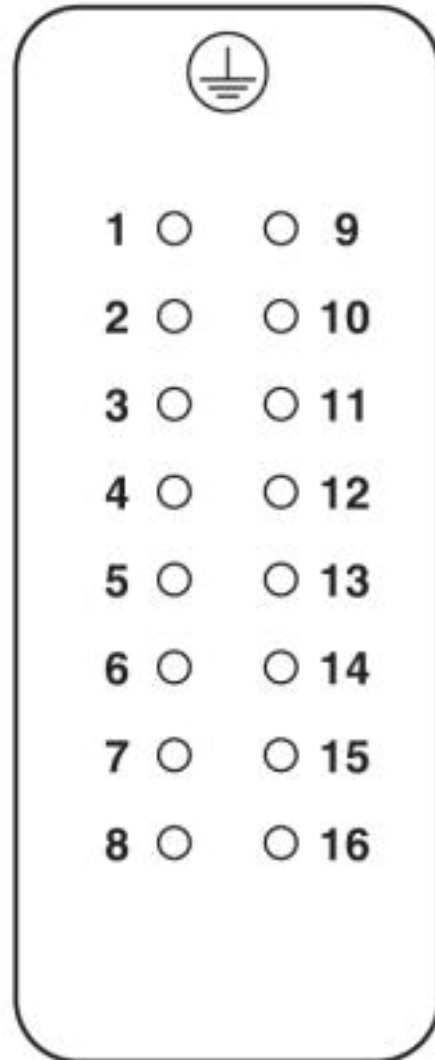
Connector set - HC-EVO-B16PT-BWSC-HH-M25-PLRBK - 1408793

Schematic diagram



Pin assignment, connection side, pin

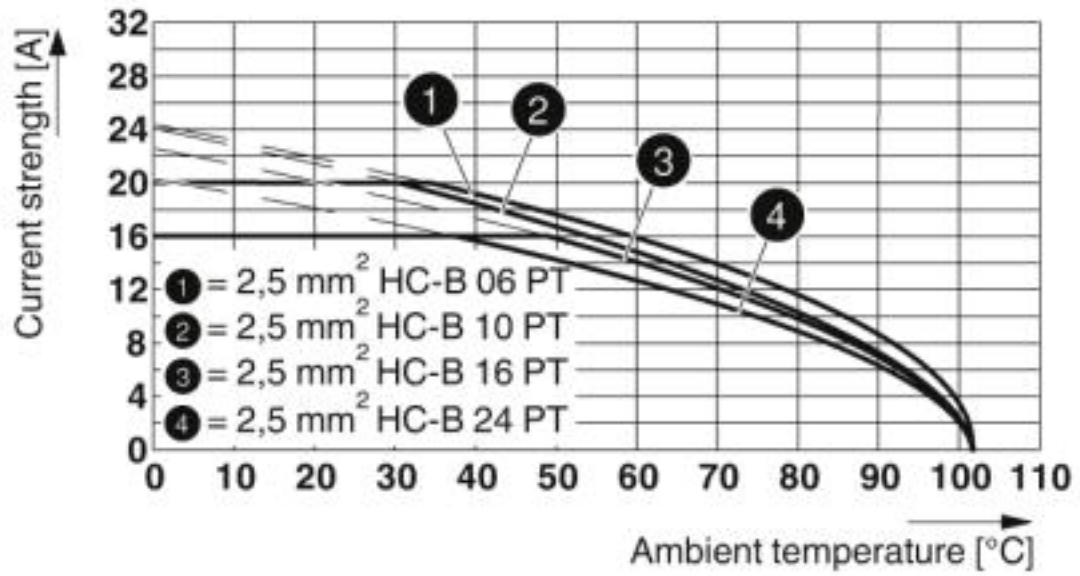
Schematic diagram



Pin assignment, connection side, socket

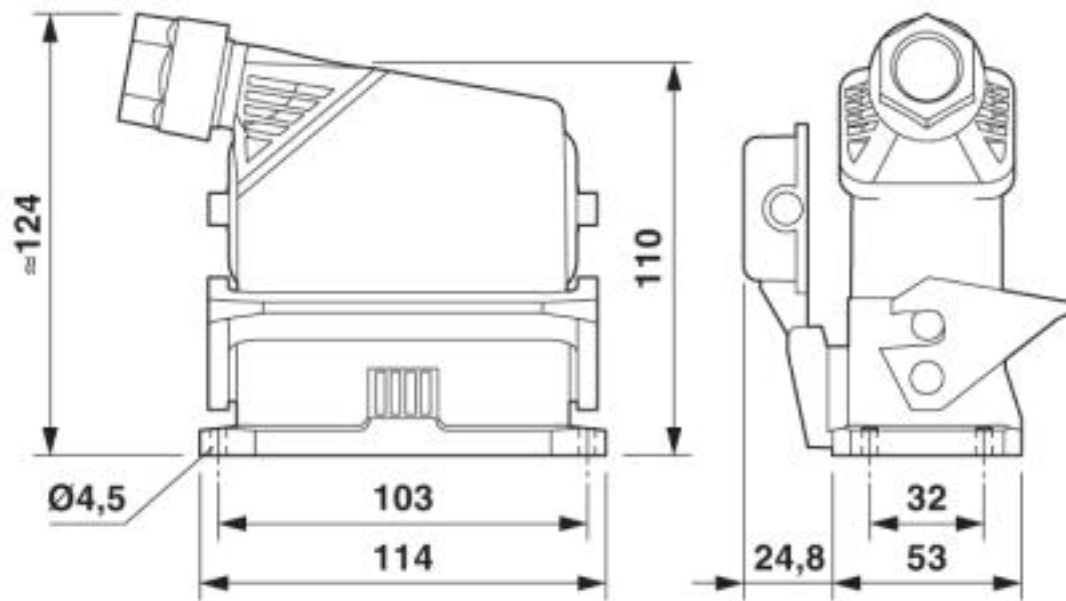
Connector set - HC-EVO-B16PT-BWSC-HH-M25-PLRBK - 1408793

Diagram



Derating diagram

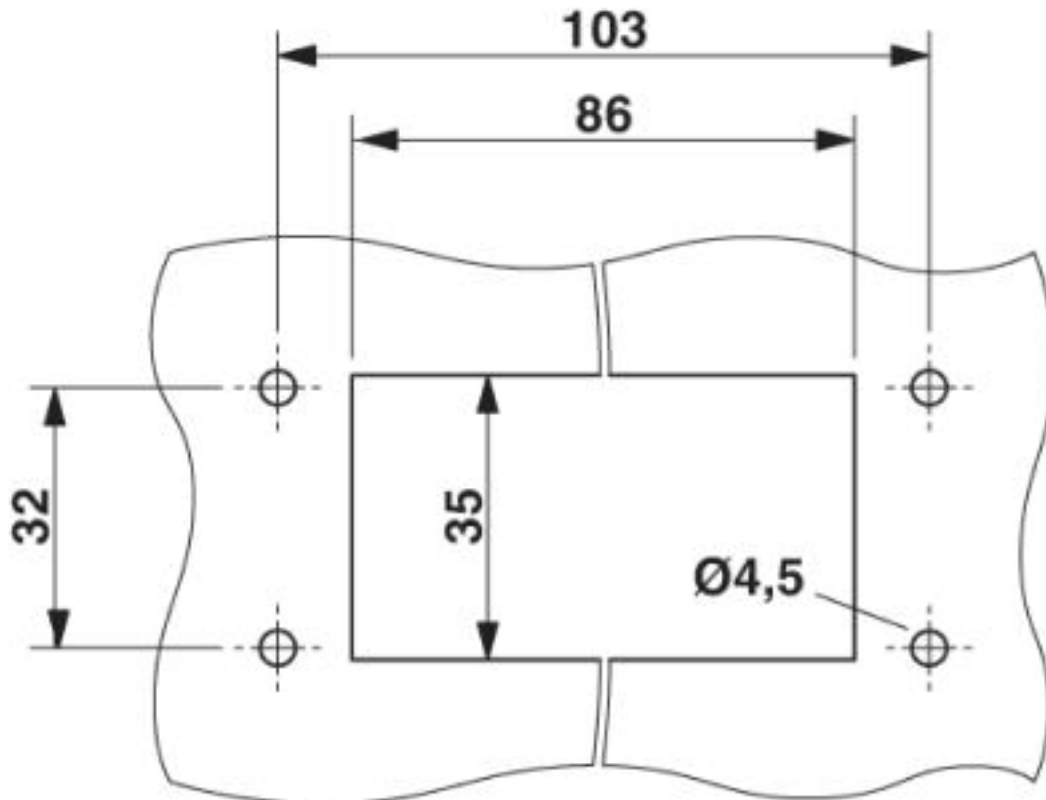
Dimensional drawing



Dimensional drawing

Connector set - HC-EVO-B16PT-BWSC-HH-M25-PLRBK - 1408793

Dimensional drawing



Mounting cutout

Articles in set

Contact insert - HC-B16-I-PT-F - 1407731



HEAVYCON socket insert, B16 series, 16 + PE-pos., push-in connection

Contact insert - HC-B16-I-PT-M - 1407732



HEAVYCON pin insert, B16 series, 16 + PE-pos., push-in connection

Connector set - HC-EVO-B16PT-BWSC-HH-M25-PLRBK - 1408793

Articles in set

Housing - HC-EVO-B16-BWSC-PLRBK - 1407647



HEAVYCON EVO panel mounting base, plastic, B16, with single locking latch, height: 30.5 mm, with flat gasket, with protective cover

Housing - HC-EVO-B16-HHFS-PLBK - 1407642



Sleeve housing B16, for single locking latch, material: PA, cable outlets: 1, straight/lateral, height: 78 mm, cable gland: none, support sleeve: no, Standard

Cable gland - HC-B-G-M25-PLRBK - 1407670



EVO plastic cable gland with bayonet locking, for housing series B, size M25, cable diameter: 9 ... 17 mm

Classifications

eCl@ss

| | |
|---------------|----------|
| eCl@ss 10.0.1 | 27440101 |
| eCl@ss 4.0 | 27260700 |
| eCl@ss 4.1 | 27260700 |
| eCl@ss 5.0 | 27260700 |
| eCl@ss 5.1 | 27260700 |
| eCl@ss 6.0 | 27260700 |
| eCl@ss 7.0 | 27440101 |
| eCl@ss 8.0 | 27440101 |
| eCl@ss 9.0 | 27440101 |

ETIM

| | |
|----------|----------|
| ETIM 3.0 | EC000438 |
| ETIM 4.0 | EC000437 |
| ETIM 5.0 | EC000437 |
| ETIM 6.0 | EC002636 |
| ETIM 7.0 | EC002636 |

Connector set - HC-EVO-B16PT-BWSC-HH-M25-PLRBK - 1408793

Classifications

UNSPSC

| | |
|---------------|----------|
| UNSPSC 6.01 | 30211923 |
| UNSPSC 7.0901 | 39121522 |
| UNSPSC 11 | 39121522 |
| UNSPSC 12.01 | 39121522 |
| UNSPSC 13.2 | 39121409 |
| UNSPSC 18.0 | 39121409 |
| UNSPSC 19.0 | 39121409 |
| UNSPSC 20.0 | 39121409 |
| UNSPSC 21.0 | 39121409 |

Approvals

Approvals

Approvals

EAC / DNV GL / EAC / EAC

Ex Approvals

Approval details

| | | |
|-----|--|--------------------------|
| EAC | | RU C- DE.AI30.B.01102 |
|-----|--|--------------------------|

| | | | |
|--------|--|---|------------|
| DNV GL | | https://approvalfinder.dnvgl.com/ | TAE000037S |
|--------|--|---|------------|

| | | |
|-----|--|---------------|
| EAC | | EAC-Zulassung |
|-----|--|---------------|

| | | |
|-----|--|--------------------------|
| EAC | | RU C- DE.BL08.B.00511 |
|-----|--|--------------------------|

Accessories

Accessories

Connector set - HC-EVO-B16PT-BWSC-HH-M25-PLRBK - 1408793

Accessories

Device marking

Snap-in markers - US-EMP (20X9) - 0829439



Snap-in markers, Card, white, unlabeled, can be labeled with: BLUEMARK ID COLOR, BLUEMARK ID, THERMOMARK PRIME, THERMOMARK CARD 2.0, THERMOMARK CARD, mounting type: snapped into marker carrier, lettering field size: 20 x 9 mm, Number of individual labels: 70

Housing latches

Single locking latch - HC-B10-SL-PLBK - 1407698



Replacement single locking latch for HEAVYCON EVO housing type B10, PA

Phoenix Contact 2020 © - all rights reserved
<http://www.phoenixcontact.com>

PHOENIX CONTACT GmbH & Co. KG
Flachsmarktstr. 8
32825 Blomberg
Germany
Tel. +49 5235 300
Fax +49 5235 3 41200
<http://www.phoenixcontact.com>