

# Flush-type socket - SACC-DSI-FSX-8CON-PG9-L180 SCO - 1404741

Please be informed that the data shown in this PDF Document is generated from our Online Catalog. Please find the complete data in the user's documentation. Our General Terms of Use for Downloads are valid (<http://phoenixcontact.com/download>)



CAT6<sub>A</sub> flush-type socket, Ethernet, one-piece, 8-pos., M12-SPEEDCON, rear/screw mounting with Pg9 fastening thread, with straight solder connection


M12 panel feed-through, rear mounting

## Your advantages

- ✓ Easy PCB assembly: one-piece connectors for wave soldering
- ✓ All standard pin assignments and codings for signal, data, and power transmission with a uniform design-in design
- ✓ For high transmission reliability: optional shield connection to the housing by means of shield contact



## Key Commercial Data

Packing unit	20 pc
Minimum order quantity	20 pc
GTIN	 4 046356 737029
GTIN	4046356737029

## Technical data

### Ambient conditions

Degree of protection	IP67 (When plugged in)
Ambient temperature (operation)	-40 °C ... 85 °C

### General data

Rated current at 40°C	0.5 A (Data)
Rated voltage	50 V AC 60 V DC
Number of positions	8
Signal type/category	Ethernet CAT6 <sub>A</sub>
Standards/regulations	M12 connector IEC 61076-2-109

# Flush-type socket - SACC-DSI-FSX-8CON-PG9-L180 SCO - 1404741

## Technical data

### General data

Overvoltage category	III
Degree of pollution	3
Alternative short product description	Ethernet flush-type socket
Connection method	Solder-in connection
Contact material	CuZn
Contact carrier material	PPA
Contact surface material	gold-plated

### Standards and Regulations

Standard designation	M12 connector
Standards/regulations	IEC 61076-2-109
Flammability rating according to UL 94	V0

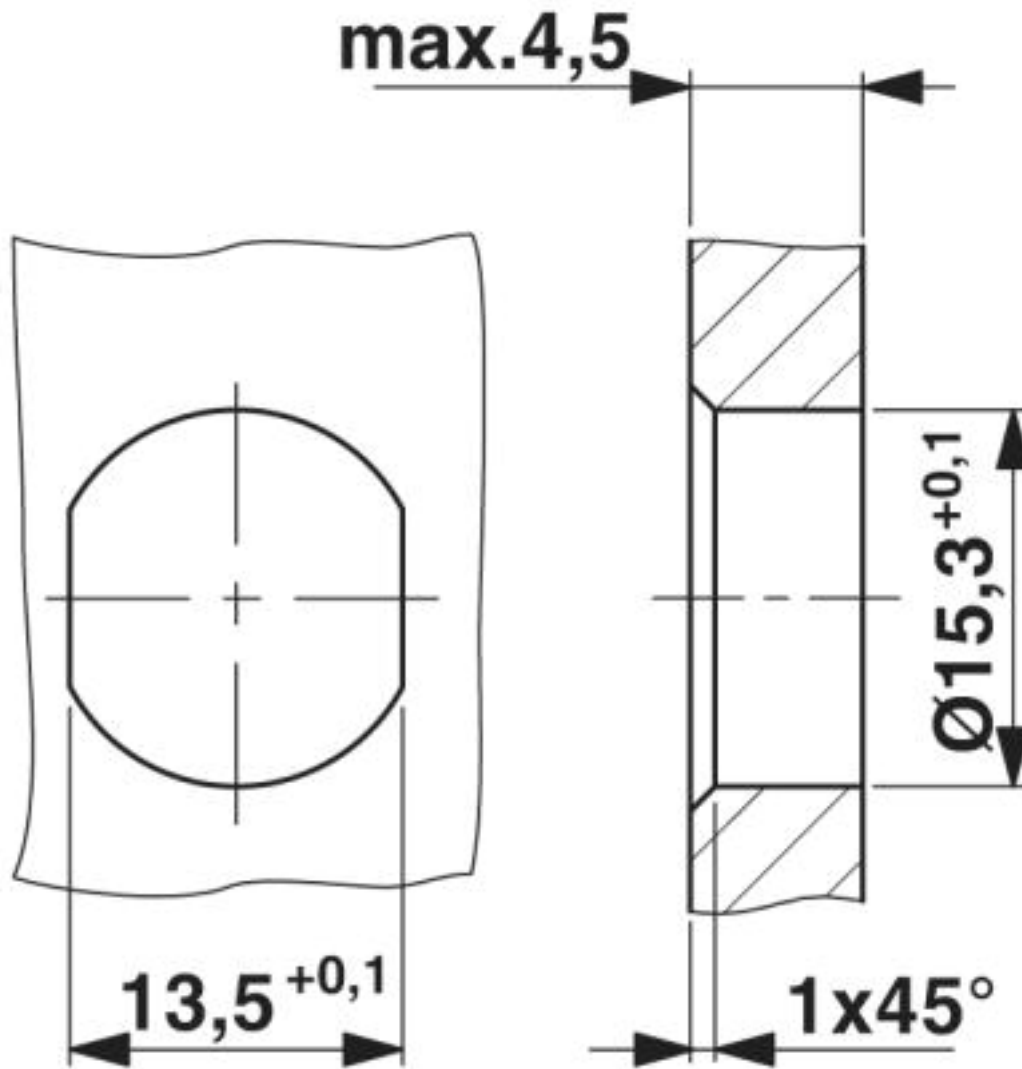
### Environmental Product Compliance

	Lead 7439-92-1
China RoHS	Environmentally Friendly Use Period = 50
	For details about hazardous substances go to tab "Downloads", Category "Manufacturer's declaration"

## Drawings

# Flush-type socket - SACC-DSI-FSX-8CON-PG9-L180 SCO - 1404741

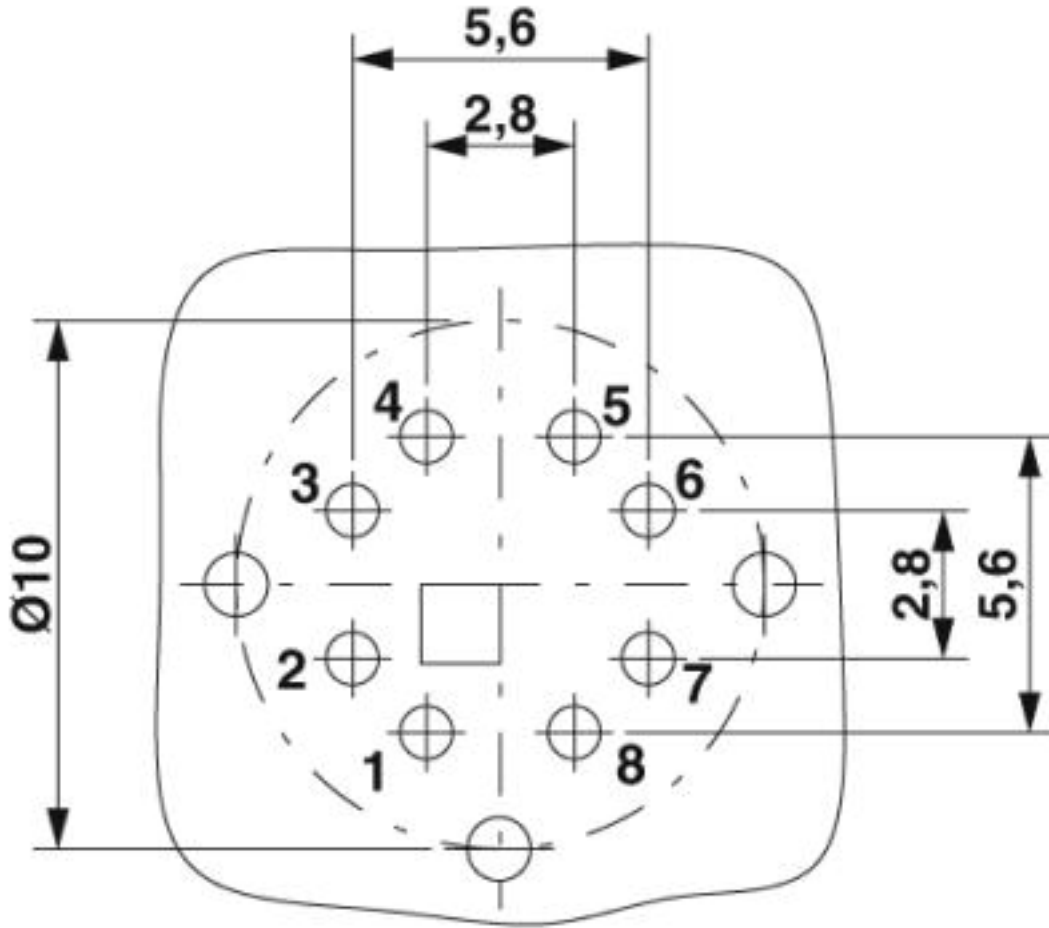
Dimensional drawing



Housing cutout for Pg9 fastening thread, mounting panel with feed-through hole (alternatively with surface as protection against rotation)

# Flush-type socket - SACC-DSI-FSX-8CON-PG9-L180 SCO - 1404741

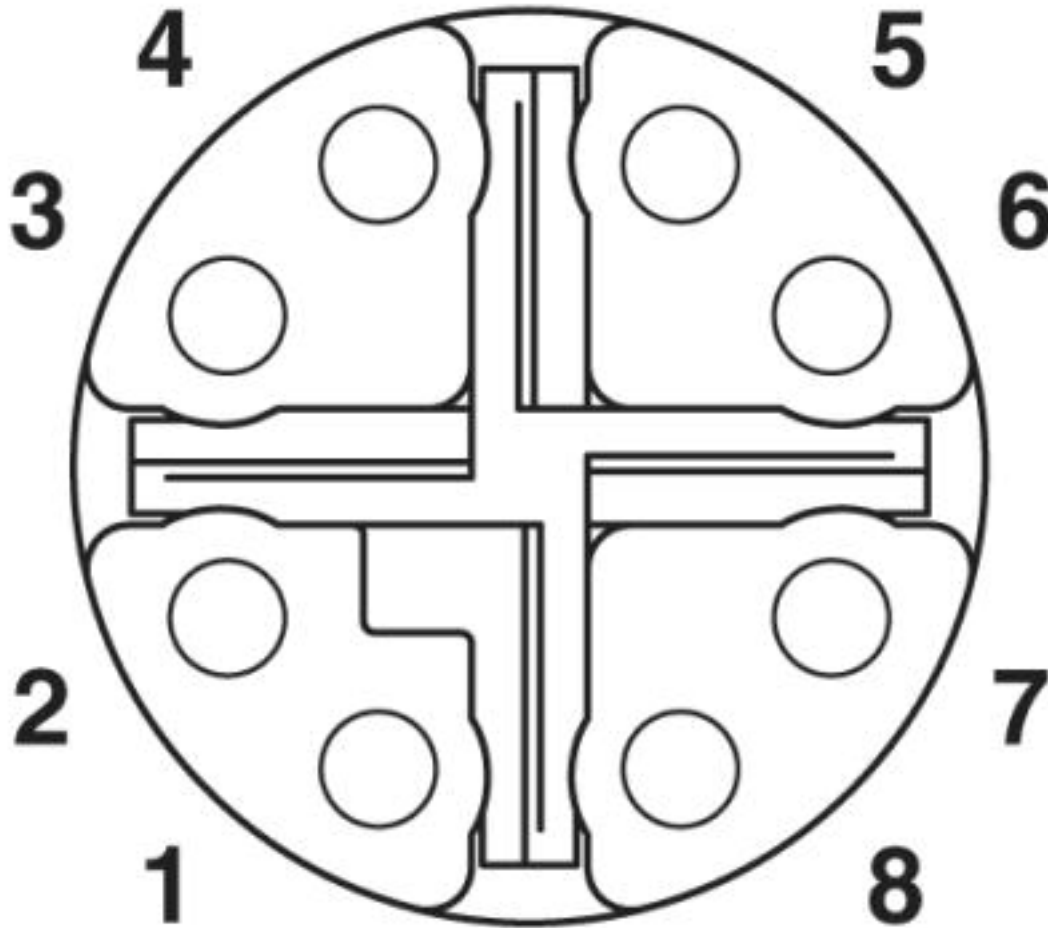
Drilling diagram



Soldering pad geometry

# Flush-type socket - SACC-DSI-FSX-8CON-PG9-L180 SCO - 1404741

Schematic diagram



M12 socket pin assignment, 8-pos, view of socket side

Approvals

Approvals

---

Approvals

UL Recognized / cUL Recognized / EAC / cULus Recognized

---

Ex Approvals

---

Approval details

# Flush-type socket - SACC-DSI-FSX-8CON-PG9-L180 SCO - 1404741

## Approvals

UL Recognized		<a href="http://database.ul.com/cgi-bin/XYV/template/LISEXT/1FRAME/index.htm">http://database.ul.com/cgi-bin/XYV/template/LISEXT/1FRAME/index.htm</a> E335024-20120308
Nominal voltage UN		60 V
Nominal current IN		0.5 A

cUL Recognized		<a href="http://database.ul.com/cgi-bin/XYV/template/LISEXT/1FRAME/index.htm">http://database.ul.com/cgi-bin/XYV/template/LISEXT/1FRAME/index.htm</a> E335024-20120308
Nominal voltage UN		60 V
Nominal current IN		0.5 A

EAC		B.01742
-----	--	---------

cULus Recognized	
------------------	--

Phoenix Contact 2019 © - all rights reserved  
<http://www.phoenixcontact.com>

PHOENIX CONTACT GmbH & Co. KG  
Flachsmarktstr. 8  
32825 Blomberg  
Germany  
Tel. +49 5235 300  
Fax +49 5235 3 41200  
<http://www.phoenixcontact.com>