

# PLC-RSP-120UC/21/SO46 - Relay Module



5603594

<https://www.phoenixcontact.com/us/products/5603594>

Please be informed that the data shown in this PDF document is generated from our online catalog. Please find the complete data in the user documentation. Our general terms of use for downloads are valid.



## Commercial data

Item number	5603594
Packing unit	1 pc
Note	Made to order (non-returnable)
Sales key	C461
Product key	DK62Y3
GTIN	4046356688659
Weight per piece (including packing)	33.33 g
Weight per piece (excluding packing)	33.33 g
Customs tariff number	85364190
Country of origin	DE

# PLC-RSP-120UC/21/SO46 - Relay Module



5603594

<https://www.phoenixcontact.com/us/products/5603594>

## Technical data

### Product properties

Product type	Relay Module
--------------	--------------

### Data management status

Date of last data management	12.09.2025
------------------------------	------------

### Input data

#### Coil side

Nominal input voltage $U_N$	120 V AC
	110 V DC

### Connection data

#### Coil side

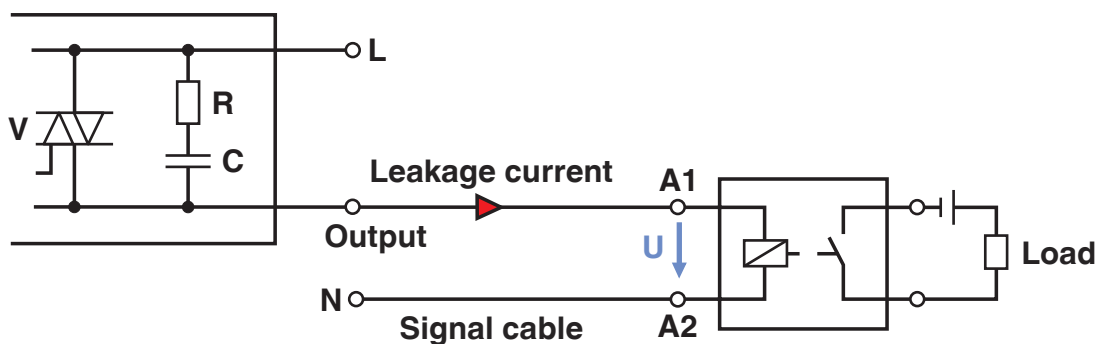
Connection method	Screw connection
Stripping length	8 mm
Screw thread	M 3
Conductor cross-section rigid	0.14 mm <sup>2</sup> ... 2.5 mm <sup>2</sup>
Conductor cross-section flexible	0.14 mm <sup>2</sup> ... 2.5 mm <sup>2</sup>
Conductor cross-section AWG	26 ... 14

#### Contact side

Connection method	Screw connection
Stripping length	8 mm
Screw thread	M 3
Conductor cross-section rigid	0.14 mm <sup>2</sup> ... 2.5 mm <sup>2</sup>
Conductor cross-section flexible	0.14 mm <sup>2</sup> ... 2.5 mm <sup>2</sup>
Conductor cross-section AWG	26 ... 14

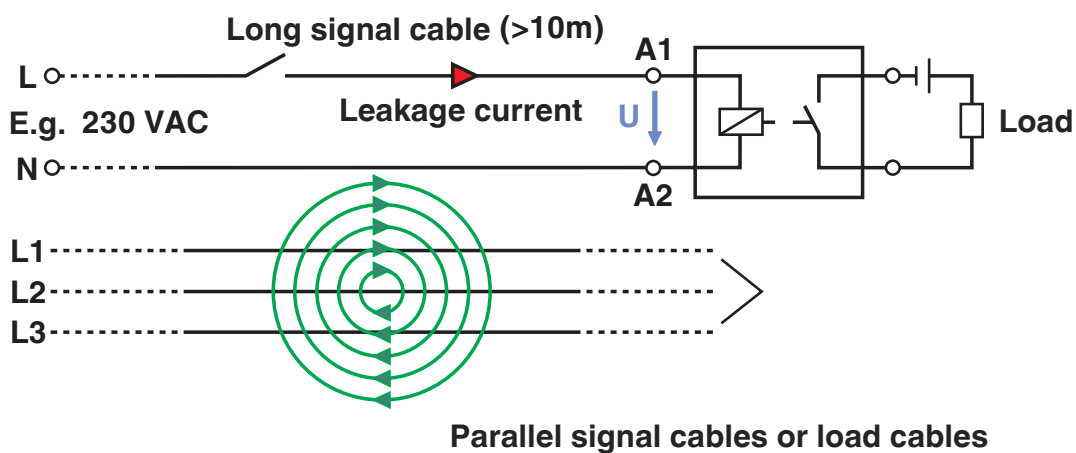
## Drawings

Application drawing



Occurrence of interference signals  
Scenario 1: controller - AC output card

Application drawing



Occurrence of interference signals  
Scenario 2: long signal cables

# PLC-RSP-120UC/21/SO46 - Relay Module



5603594

<https://www.phoenixcontact.com/us/products/5603594>

## Classifications

### ECLASS

ECLASS-13.0	27371601
ECLASS-15.0	27371601

5603594

<https://www.phoenixcontact.com/us/products/5603594>

## Environmental product compliance

### EU RoHS

Fulfills EU RoHS substance requirements	Yes
Exemption	7(a), 7(c)-I

### China RoHS

Environment friendly use period (EFUP)	EFUP-50
	An article-related China RoHS declaration table can be found in the download area for the respective article under "Manufacturer declaration". For all articles with EFUP-E, no China RoHS declaration table issued and required.

### EU REACH SVHC

REACH candidate substance (CAS No.)	Hexahydromethylphthalic anhydride(CAS: n/a)
	Lead(CAS: 7439-92-1)
	2,2',6,6'-tetrabromo-4,4'-isopropylidenediphenol(CAS: 79-94-7)

Phoenix Contact 2026 © - all rights reserved  
<https://www.phoenixcontact.com>

Phoenix Contact USA  
586 Fulling Mill Road  
Middletown, PA 17057, United States  
(+717) 944-1300  
[info@phoenixcon.com](mailto:info@phoenixcon.com)