

# BXT-N4X 4-WIRE - Surge protection device



5603514

<https://www.phoenixcontact.com/us/products/5603514>

Please be informed that the data shown in this PDF document is generated from our online catalog. Please find the complete data in the user documentation. Our general terms of use for downloads are valid.



Wall-mount, NEMA 4X enclosure with four conductor protection for a 2-core floating signal circuit and 120 V AC powered transmitters.

## Commercial data

Item number	5603514
Packing unit	1 pc
Minimum order quantity	1 pc
Sales key	CL02
Product key	CL211E
GTIN	4046356410472
Weight per piece (including packing)	222.22 g
Weight per piece (excluding packing)	222.22 g
Customs tariff number	85363030
Country of origin	DE

# BXT-N4X 4-WIRE - Surge protection device



5603514

<https://www.phoenixcontact.com/us/products/5603514>

## Set consists of

### PLT-SEC-T3-120-FM-UT - Type 3 surge protection device

2907918

<https://www.phoenixcontact.com/us/products/2907918>



Type 2/3 surge protection, consisting of protective plug and base element, with integrated status indicator and remote signaling for single-phase power supply networks. Nominal voltage: 120 V AC/DC

---

### PT 1X2-24DC-ST - Surge protection plug

2856032

<https://www.phoenixcontact.com/us/products/2856032>



PT protective connector with protective circuit for a 2-wire floating signal circuit. HART-compatible.

# BXT-N4X 4-WIRE - Surge protection device

5603514

<https://www.phoenixcontact.com/us/products/5603514>

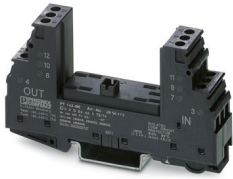


## PT 1X2-BE - Surge protection base-element

2856113

<https://www.phoenixcontact.com/us/products/2856113>

Base element for protective plug PT with protective circuit for a 2-core floating signal circuit. Mounting on NS 35/7.5 und NS 35/15, housing width: 17.5 mm.



# BXT-N4X 4-WIRE - Surge protection device



5603514

<https://www.phoenixcontact.com/us/products/5603514>

## Technical data

### Notes

#### Trade restriction

CE note	The products are offered exclusively for export outside the EU and the European Economic Area.
---------	--

### Product properties

Product type	Arrester combination
Product family	PLUGTRAB PT

### Electrical properties

Nominal voltage $U_N$	120 V AC (Power)
	24 V AC (Signal)

### Connection data

Screw thread	M3
Tightening torque, min	0.5 Nm
Conductor cross-section flexible min.	0.2 mm <sup>2</sup>
Conductor cross-section flexible max.	2.5 mm <sup>2</sup>
Conductor cross-section, rigid min.	0.2 mm <sup>2</sup>
Conductor cross-section, rigid max.	4 mm <sup>2</sup>

### Dimensions

Width	160 mm
Height	90 mm

### Protective circuit

Nominal voltage $U_N$	120 V AC (Power)
	24 V AC (Signal)
Nominal current $I_N$	20 A (Power)
	450 mA (Signal)
Max. discharge current $I_{max}$ (8/20) $\mu$ s maximum (line-line)	10 kA (Power)
Max. discharge current $I_{max}$ (8/20) $\mu$ s maximum (line-earth)	10 kA (Power)
Output voltage limitation at 1 kV/ $\mu$ s (line-line) spike	$\leq$ 500 V (Power)
	$\leq$ 40 V (Signal)
Output voltage limitation at 1 kV/ $\mu$ s (line-earth) spike	$\leq$ 900 V (Power)
	$\leq$ 40 V (Signal)
Resistance per path	2.2 $\Omega$ (Signal)

### Environmental and real-life conditions

#### Ambient conditions

Degree of protection	IP66/NEMA 4X
----------------------	--------------

# BXT-N4X 4-WIRE - Surge protection device



5603514

<https://www.phoenixcontact.com/us/products/5603514>

Ambient temperature (operation)	-40 °C ... 80 °C
Ambient temperature (storage/transport)	-40 °C ... 80 °C
Altitude	≤ 6000 mm (operating voltage remote contact ≤ 150 V)
Permissible humidity (operation)	5 % ... 95 %

## Standards and regulations

Standards Information technology specification

Standards/regulations	IEEE C62.36
	IEEE C62.36

## Mounting

Mounting type	Panel mounting
---------------	----------------

# BXT-N4X 4-WIRE - Surge protection device

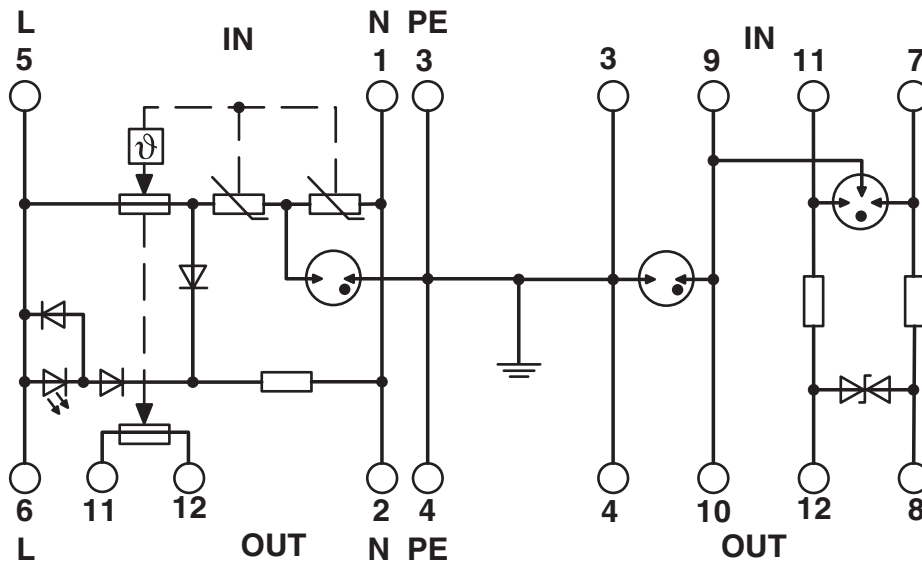


5603514

<https://www.phoenixcontact.com/us/products/5603514>

## Drawings

Circuit diagram



# BXT-N4X 4-WIRE - Surge protection device



5603514

<https://www.phoenixcontact.com/us/products/5603514>

## Environmental product compliance

### EU RoHS

Fulfills EU RoHS substance requirements	Not applicable, Not qualified for the European market
---	---

### China RoHS

Environment friendly use period (EFUP)	EFUP-50
	An article-related China RoHS declaration table can be found in the download area for the respective article under "Manufacturer declaration". For all articles with EFUP-E, no China RoHS declaration table issued and required.

### EU REACH SVHC

REACH candidate substance (CAS No.)	Lead(CAS: 7439-92-1)
-------------------------------------	----------------------

Phoenix Contact 2026 © - all rights reserved

<https://www.phoenixcontact.com>

Phoenix Contact USA  
586 Fulling Mill Road  
Middletown, PA 17057, United States  
(+717) 944-1300  
[info@phoenixcon.com](mailto:info@phoenixcon.com)