

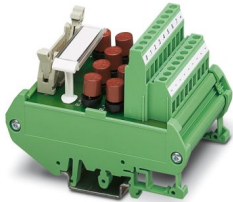
# FLKM 14/8M/SI/PLC-125MA - Passive module



5602974

<https://www.phoenixcontact.com/us/products/5602974>

Please be informed that the data shown in this PDF document is generated from our online catalog. Please find the complete data in the user documentation. Our general terms of use for downloads are valid.



VARIOFACE module, for 8 channels, each with an additional terminal block and fuse per signal, (common minus potential)

## Your advantages

- Byte-by-byte labeling
- Negative connection per signal
- Can be used for digital I/O modules

## Commercial data

Item number	5602974
Packing unit	1 pc
Minimum order quantity	1 pc
Note	Made to order (non-returnable)
Sales key	C429
Product key	DK2BZA
GTIN	4046356686105
Weight per piece (including packing)	140.6 g
Weight per piece (excluding packing)	104 g
Customs tariff number	85369085
Country of origin	DE

# FLKM 14/8M/SI/PLC-125MA - Passive module



5602974

<https://www.phoenixcontact.com/us/products/5602974>

## Technical data

### Product properties

Product type	Interface module
Number of positions	14
No. of channels	8

### Insulation characteristics

Overvoltage category	II
Pollution degree	2

### Electrical properties

Operating voltage (DC)	60 V DC
Current (per branch)	≤ 125 mA
Current ( )	≤ 2 A

### Supported controller: ABB S800 I/O

Suitable I/O card	DO810
	DO840

### Supported controller: ALLEN-BRADLEY ControlLogix

Suitable I/O card	1756-IB32
	1756-OB32
	1756-IN16
	1756-IB16
	1756-IC16
	1756-OB16E

### Supported controller: ALLEN-BRADLEY PLC 5

Suitable I/O card	1771 IBN
	1771 OBN

### Supported controller: ALLEN-BRADLEY SLC 500

Suitable I/O card	1746 OB16
	1746 OV16
	1746 OG16
	1746 IA16
	1746 ITB16
	1746 IN16
	1746 IV16
	1746 ITV16
	1746 IG16
	1746 OB 32
	1746 OV 32
	1746 IB 32

# FLKM 14/8M/SI/PLC-125MA - Passive module



5602974

<https://www.phoenixcontact.com/us/products/5602974>

	1746 IV 32
	1746 IB16

Supported controller: GE-FANUC 90-30

Suitable I/O card	IC693 MDL241
	IC693 MDL634
	IC693 MDL645
	IC693 MDL646
	IC693 MDL732
	IC693 MDL733
	IC693 MDL740
	IC693 MDL741
	IC693 MDL742

Supported controller: GE-FANUC RX3i

Suitable I/O card	IC694MDL754
	IC694MDL660

Supported controller: HONEYWELL Experion PKS C200

Suitable I/O card	TC-IDD 321
	TC-ODD 321

Supported controller: MITSUBISHI MELSEC L

Suitable I/O card	LX41C4
	LX42C4
	LY41NT1P
	LY42NT1P
	LY41PT1P
	LY42PT1P

Supported controller: MITSUBISHI MELSEC Q

Suitable I/O card	QX81
	QY81P
	QX41
	QX41-S1
	QX42
	QX42-S1
	QX71
	QX72
	QY41P
	QY42P
	QY71
	QH42P
	QX82
	QX82-S1
	QY82P

# FLKM 14/8M/SI/PLC-125MA - Passive module



5602974

<https://www.phoenixcontact.com/us/products/5602974>

Supported controller: SIEMENS S7-300 / ET 200 M

Suitable I/O card	CPU 313C-2DP
	CPU 314C-2DP
	CPU 314C-2PtP
	6ES7321-1BH02-0AA0
	6ES7321-1BL00-0AA0
	6ES7322-1BH01-0AA0
	6ES7322-1BL00-0AA0
	6ES7323-1BH01-0AA0
	6ES7323-1BL00-0AA0
	6ES7321-1BH10-0AA0
	6ES7322-1BH10-0AA0
	CPU 313C
	CPU 313C-2PtP

Supported controller: SCHNEIDER ELECTRIC Modicon TSX QUANTUM

Suitable I/O card	DDI 353
	DDI 853
	DAI 353
	DAI 453
	DDO 353

## Connection data

Field level

Connection in acc. with standard	IEC / EN
Connection method	Screw connection
Stripping length	8 mm
Screw thread	M3
Conductor cross-section rigid	0.2 mm <sup>2</sup> ... 4 mm <sup>2</sup>
Conductor cross-section flexible	0.2 mm <sup>2</sup> ... 2.5 mm <sup>2</sup>
Conductor cross-section AWG	24 ... 12

Controller level

Connection method	IDC/FLK pin strip
Pitch	2.54 mm

## Signaling

Status display	no
Status display present	no

## Dimensions

Item dimensions

Width	57 mm
Height	90 mm

# FLKM 14/8M/SI/PLC-125MA - Passive module



5602974

<https://www.phoenixcontact.com/us/products/5602974>

Depth	68 mm
-------	-------

## Material specifications

Color	green (RAL 6021)
Housing insulation material	PVC

## Environmental and real-life conditions

### Ambient conditions

Ambient temperature (operation)	-20 °C ... 50 °C
Ambient temperature (storage/transport)	-20 °C ... 70 °C

## Standards and regulations

Standards/regulations	IEC 60664
	DIN EN 50178

## Mounting

Mounting position	any
-------------------	-----

## Notes

Notes on operation	For proper use, the specifications of the installation directive (see Downloads) must be observed. For applications or use with third-party products, the specifications, and the safety and warning instructions of the respective third-party manufacturer must also be met.
--------------------	--

# FLKM 14/8M/SI/PLC-125MA - Passive module

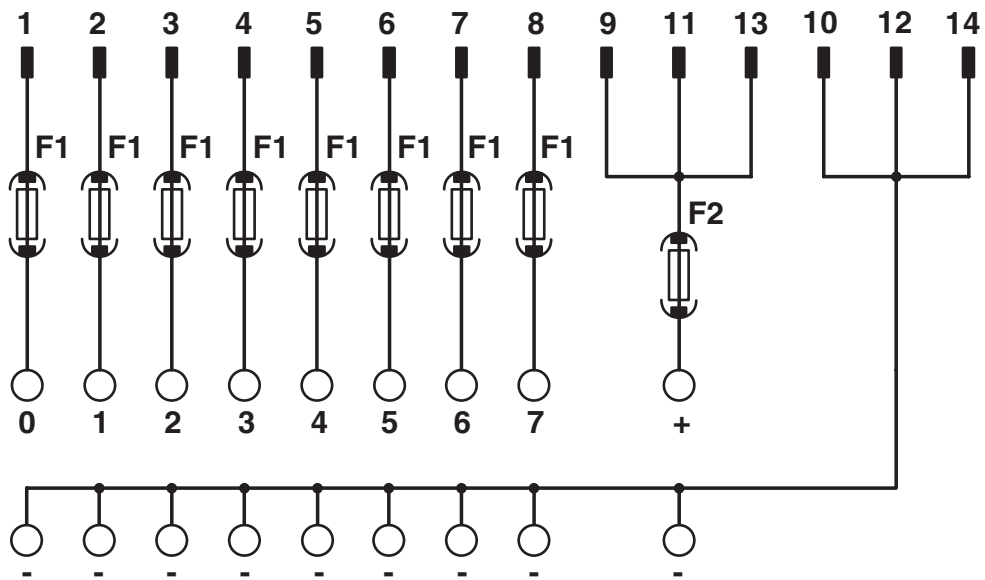


5602974

<https://www.phoenixcontact.com/us/products/5602974>

## Drawings

Circuit diagram



Connection scheme: FLKM 14/8M/SI/PLC

# FLKM 14/8M/SI/PLC-125MA - Passive module



5602974

<https://www.phoenixcontact.com/us/products/5602974>

## Classifications

### ECLASS

ECLASS-13.0	27141152
ECLASS-15.0	27141152

# FLKM 14/8M/SI/PLC-125MA - Passive module



5602974

<https://www.phoenixcontact.com/us/products/5602974>

## Environmental product compliance

### EU RoHS

Fulfills EU RoHS substance requirements	Not applicable, Not qualified for the European market
---	---

### China RoHS

Environment friendly use period (EFUP)	EFUP-50
	An article-related China RoHS declaration table can be found in the download area for the respective article under "Manufacturer declaration". For all articles with EFUP-E, no China RoHS declaration table issued and required.

### EU REACH SVHC

REACH candidate substance (CAS No.)	Lead(CAS: 7439-92-1)
-------------------------------------	----------------------

Phoenix Contact 2026 © - all rights reserved  
<https://www.phoenixcontact.com>

Phoenix Contact USA  
586 Fulling Mill Road  
Middletown, PA 17057, United States  
(+717) 944-1300  
[info@phoenixcon.com](mailto:info@phoenixcon.com)