

# PTFIX-F - Flange

3274060

<https://www.phoenixcontact.com/us/products/3274060>

Please be informed that the data shown in this PDF document is generated from our online catalog. Please find the complete data in the user documentation. Our general terms of use for downloads are valid.



Flange, With screw fixing, for direct mounting of the 2.5 mm<sup>2</sup> and 4 mm<sup>2</sup> FIX blocks, depth: 21.7 mm, width: 8.6 mm, height: 28.6 mm, color: gray, mounting type: Screw mounting

## Your advantages

- Easy marking options

## Commercial data

Item number	3274060
Packing unit	20 pc
Minimum order quantity	20 pc
Sales key	BE09
Product key	BEAZ11
GTIN	4055626394152
Weight per piece (including packing)	3 g
Weight per piece (excluding packing)	1.72 g
Customs tariff number	85389099
Country of origin	PL

# PTFIX-F - Flange

3274060

<https://www.phoenixcontact.com/us/products/3274060>

## Technical data

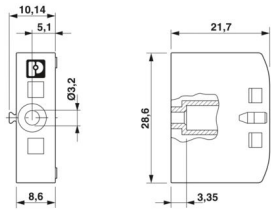
### Product properties

Product type	Mounting material
--------------	-------------------

### Connection data

Tightening torque	0.3 Nm
-------------------	--------

### Dimensions

Dimensional drawing	
Width	8.6 mm
Height	28.6 mm
Depth	21.7 mm
Hole diameter	5.8 mm

### Material specifications

Color	gray (RAL 7042)
Material	PA
Flammability rating according to UL 94	V0

### Environmental and real-life conditions

#### Ambient conditions

Ambient temperature (operation)	-60 °C ... 105 °C (max. short-term operating temperature RTI Elec.)
Ambient temperature (storage/transport)	-25 °C ... 60 °C (for a short time, not exceeding 24 h, -60 °C to +70 °C)
Ambient temperature (assembly)	-5 °C ... 70 °C
Ambient temperature (actuation)	-5 °C ... 70 °C
Permissible humidity (storage/transport)	30 % ... 70 %

### Mounting

Mounting type	Screw mounting
---------------	----------------

# PTFIX-F - Flange

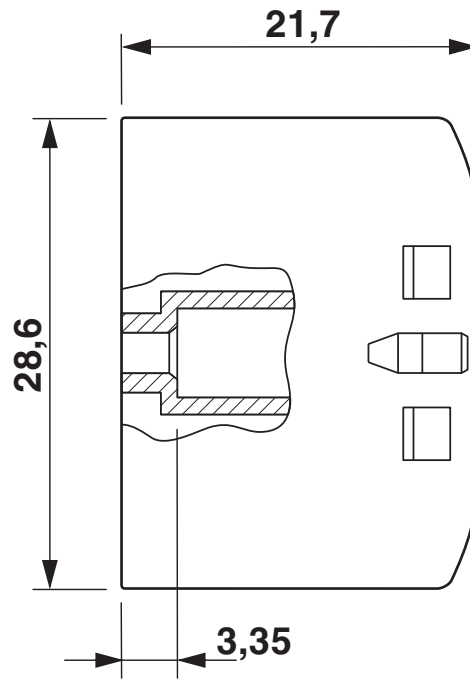
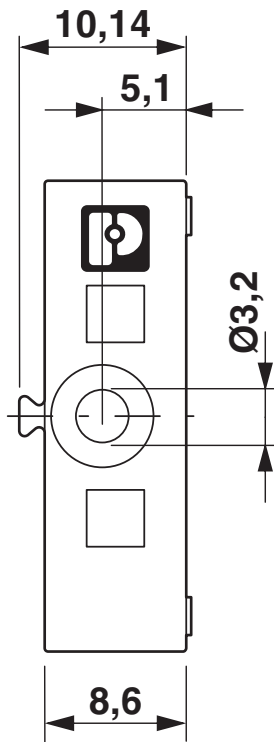
3274060

<https://www.phoenixcontact.com/us/products/3274060>



## Drawings

Dimensional drawing



# PTFIX-F - Flange

3274060

<https://www.phoenixcontact.com/us/products/3274060>



## Approvals

To download certificates, visit the product detail page: <https://www.phoenixcontact.com/us/products/3274060>



**EAC**

Approval ID: KZ7500651131219505

# PTFIX-F - Flange

3274060

<https://www.phoenixcontact.com/us/products/3274060>



## Classifications

### ECLASS

ECLASS-13.0	27250302
ECLASS-15.0	27250302

### ETIM

ETIM 10.0	EC001041
-----------	----------

### UNSPSC

UNSPSC 21.0	39121400
-------------	----------

# PTFIX-F - Flange



3274060

<https://www.phoenixcontact.com/us/products/3274060>

## Environmental product compliance

### EU RoHS

Fulfills EU RoHS substance requirements	Yes, No exemptions
---	--------------------

### China RoHS

Environment friendly use period (EFUP)	EFUP-E
	No hazardous substances above the limits

### EU REACH SVHC

REACH candidate substance (CAS No.)	No substance above 0.1 wt%
-------------------------------------	----------------------------

### EF3.1 Climate Change

CO2e kg	0.017 kg CO2e
---------	---------------

Phoenix Contact 2026 © - all rights reserved  
<https://www.phoenixcontact.com>

Phoenix Contact USA  
586 Fulling Mill Road  
Middletown, PA 17057, United States  
(+717) 944-1300  
[info@phoenixcon.com](mailto:info@phoenixcon.com)