

# AI 0,75-8 WH-B 3000 - Ferrule



3240677

<https://www.phoenixcontact.com/us/products/3240677>

Please be informed that the data shown in this PDF document is generated from our online catalog. Please find the complete data in the user documentation. Our general terms of use for downloads are valid.

Ferrule, Length contact range: 8 mm, sleeve length: 14 mm, color: white



## Commercial data

Item number	3240677
Packing unit	3,000 pc
Minimum order quantity	3,000 pc
Sales key	BH34
Product key	BH3414
GTIN	4046356638265
Weight per piece (including packing)	0.1 g
Weight per piece (excluding packing)	0.092 g
Customs tariff number	85369010
Country of origin	DE

# AI 0,75-8 WH-B 3000 - Ferrule

3240677

<https://www.phoenixcontact.com/us/products/3240677>

## Technical data

### Product properties

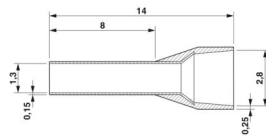
Product type	Cable end sleeve
Conductor category	stranded conductors, class 2, 5, 6 / B, C, K, M
Product property	Taped design for automated production
	UL certified
	Made from soft tin-plated electrolytic copper
	Correspond to the requirements of DIN 46228-4 and UL 486F in terms of size
	Plastic collar made of polypropylene
	Halogen-free
	Long/short-term temperature: +105°C/+120°C

### Connection data

#### Conductor connection

Conductor cross-section flexible max.	0.75 mm <sup>2</sup>
Conductor cross-section AWG max.	18
Stripping length	11 mm

### Dimensions

Dimensional drawing	
Sleeve length	14 mm
Length contact range	8 mm
Maximum stripping length	11 mm
Ferrule diameter	1.3 mm
Sleeve wall thickness	0.15 mm
Insulating collar thickness	0.25 mm
Inner dimensions of the insulating collar	2.8 mm

### Material specifications

Color	white (RAL 9010)
Material	CU-DHP
Flammability rating according to UL 94	HB
Coating	galvanically tin-plated
Surface characteristics	Tin-plated
Components	free from silicone and halogen

### Mechanical properties

# AI 0,75-8 WH-B 3000 - Ferrule



3240677

<https://www.phoenixcontact.com/us/products/3240677>

## Technical data

Sleeve length	14 mm
---------------	-------

## Environmental and real-life conditions

### Ambient conditions

Permanent temperature	105 °C (-40 °C no load / 0 °C dynamic load)
Short-term temperature	120 °C

## Standards and regulations

Design according to standard	UL 486F-E, Sonderfarbe
------------------------------	------------------------

# AI 0,75-8 WH-B 3000 - Ferrule

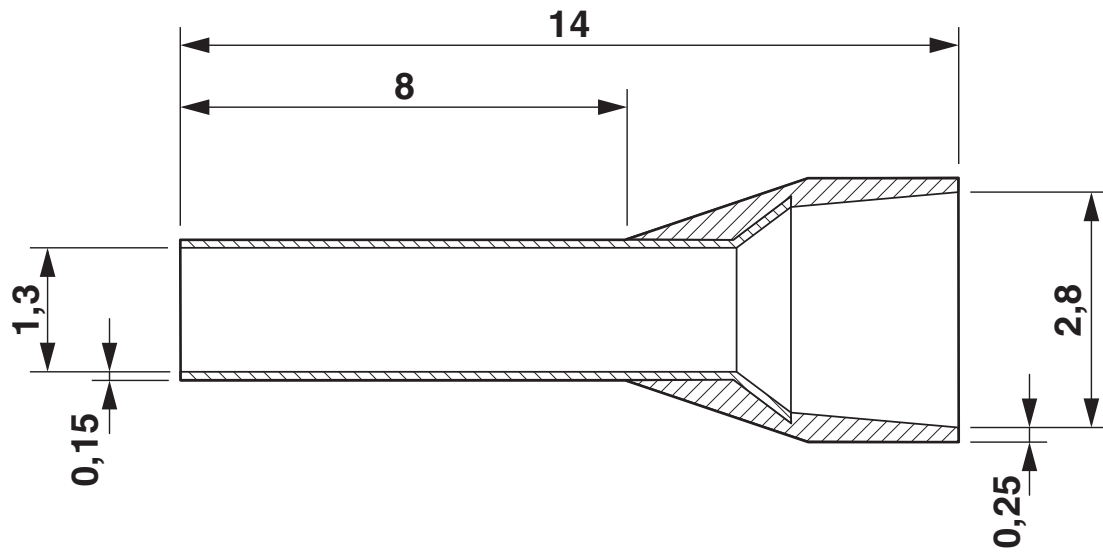
3240677

<https://www.phoenixcontact.com/us/products/3240677>



## Drawings

Dimensional drawing



# AI 0,75-8 WH-B 3000 - Ferrule



3240677

<https://www.phoenixcontact.com/us/products/3240677>

## Approvals

To download certificates, visit the product detail page: <https://www.phoenixcontact.com/us/products/3240677>



**cULus Listed**

Approval ID: E488001

# AI 0,75-8 WH-B 3000 - Ferrule



3240677

<https://www.phoenixcontact.com/us/products/3240677>

## Classifications

### ECLASS

ECLASS-13.0	27400201
ECLASS-15.0	27400201

### ETIM

ETIM 10.0	EC000005
-----------	----------

### UNSPSC

UNSPSC 21.0	27121700
-------------	----------

# AI 0,75-8 WH-B 3000 - Ferrule



3240677

<https://www.phoenixcontact.com/us/products/3240677>

## Environmental product compliance

### EU RoHS

Fulfills EU RoHS substance requirements	Yes, No exemptions
---	--------------------

### China RoHS

Environment friendly use period (EFUP)	EFUP-E
	No hazardous substances above the limits

### EU REACH SVHC

REACH candidate substance (CAS No.)	No substance above 0.1 wt%
-------------------------------------	----------------------------

### EF3.1 Climate Change

CO2e kg	0.002 kg CO2e
---------	---------------

Phoenix Contact 2026 © - all rights reserved  
<https://www.phoenixcontact.com>

Phoenix Contact USA  
586 Fulling Mill Road  
Middletown, PA 17057, United States  
(+717) 944-1300  
[info@phoenixcon.com](mailto:info@phoenixcon.com)