

WCC 26 - Cable clamp

3240255

<https://www.phoenixcontact.com/us/products/3240255>

Please be informed that the data shown in this PDF document is generated from our online catalog. Please find the complete data in the user documentation. Our general terms of use for downloads are valid.

Cable clamp, for DIN rails



Your advantages

- The cable clamps provide strain relief
- The halogen-free plastic troughs have been designed to be perfectly secure while simultaneously protecting the conductors
- Individual or bundled cables with a diameter of up to 26 mm can be installed safely and easily

Commercial data

| | |
|--------------------------------------|---------------|
| Item number | 3240255 |
| Packing unit | 25 pc |
| Minimum order quantity | 25 pc |
| Sales key | BE74 |
| Product key | BE7421 |
| GTIN | 4046356464475 |
| Weight per piece (including packing) | 44.3 g |
| Weight per piece (excluding packing) | 44.3 g |
| Customs tariff number | 73269098 |
| Country of origin | CN |

WCC 26 - Cable clamp

3240255

<https://www.phoenixcontact.com/us/products/3240255>



Technical data

Product properties

| | |
|--------------|--------------------|
| Product type | Cable feed-through |
|--------------|--------------------|

Dimensions

| | |
|--------------------------|-------|
| Dimensional drawing | |
| Wrench size | 10 mm |
| Wrench size for mounting | 10 mm |

Material specifications

| | |
|----------|--------------|
| Material | Steel |
| Coating | zinc plating |

Cable/line

| | |
|-------------------------|-----------------|
| External cable diameter | 22 mm ... 26 mm |
|-------------------------|-----------------|

Mounting

| | |
|---------------|-------------------|
| Mounting type | DIN rail mounting |
|---------------|-------------------|

WCC 26 - Cable clamp

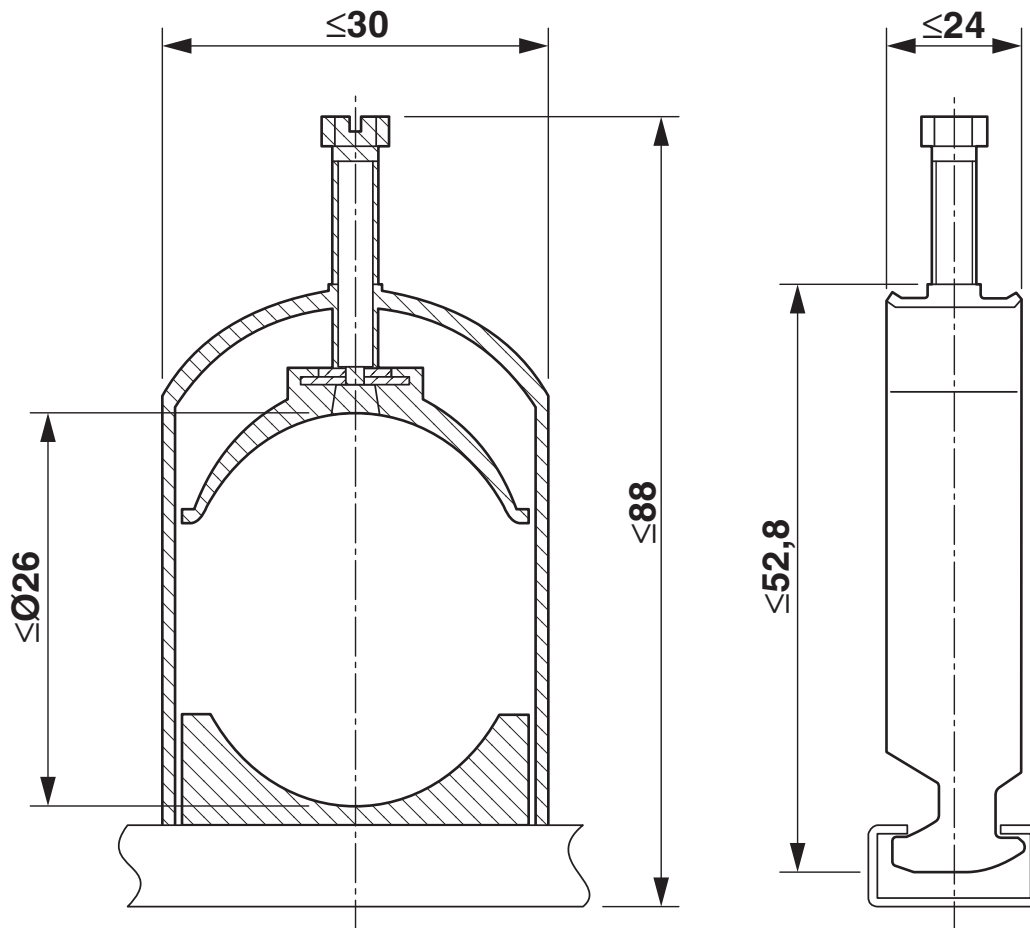
3240255

<https://www.phoenixcontact.com/us/products/3240255>



Drawings

Dimensional drawing



WCC 26 - Cable clamp

3240255

<https://www.phoenixcontact.com/us/products/3240255>



Classifications

ECLASS

| | |
|-------------|----------|
| ECLASS-13.0 | 23159090 |
| ECLASS-15.0 | 23159090 |

ETIM

| | |
|-----------|----------|
| ETIM 10.0 | EC011571 |
|-----------|----------|

UNSPSC

| | |
|-------------|----------|
| UNSPSC 21.0 | 31162900 |
|-------------|----------|

WCC 26 - Cable clamp



3240255

<https://www.phoenixcontact.com/us/products/3240255>

Environmental product compliance

EU RoHS

| | |
|---|--------------------|
| Fulfills EU RoHS substance requirements | Yes, No exemptions |
|---|--------------------|

China RoHS

| | |
|--|--|
| Environment friendly use period (EFUP) | EFUP-E |
| | No hazardous substances above the limits |

EU REACH SVHC

| | |
|-------------------------------------|----------------------------|
| REACH candidate substance (CAS No.) | No substance above 0.1 wt% |
|-------------------------------------|----------------------------|

Phoenix Contact 2026 © - all rights reserved
<https://www.phoenixcontact.com>

Phoenix Contact USA
586 Fulling Mill Road
Middletown, PA 17057, United States
(+717) 944-1300
info@phoenixcon.com