

C-PCI 2,5/2 - Cable lug

3240066

<https://www.phoenixcontact.com/us/products/3240066>



Please be informed that the data shown in this PDF document is generated from our online catalog. Please find the complete data in the user documentation. Our general terms of use for downloads are valid.

Pin cable lug, blue, 1.5 - 2.5 mm², L1=12 mm



Your advantages

- "Easy Entry" for easy and reliable conductor entry
- Halogen-free
- Hard-soldered crimping zone for maximum pull-out forces
- Electrogalvanized

Commercial data

| | |
|--------------------------------------|---------------|
| Item number | 3240066 |
| Packing unit | 100 pc |
| Minimum order quantity | 100 pc |
| Sales key | BH34 |
| Product key | BH3461 |
| GTIN | 4046356452847 |
| Weight per piece (including packing) | 0.936 g |
| Weight per piece (excluding packing) | 0.936 g |
| Customs tariff number | 85366990 |
| Country of origin | CN |

C-PCI 2,5/2 - Cable lug

3240066

<https://www.phoenixcontact.com/us/products/3240066>

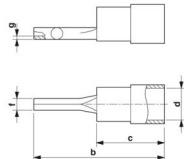


Technical data

Product properties

| | |
|------------------|--------------------------|
| Product type | Connector |
| Product property | Halogen-free |
| | With "Easy Entry" system |
| | Brazed |
| | PA-insulated |

Dimensions

| | |
|---|--|
| Dimensional drawing |  |
| Sleeve length | 23.5 mm |
| Length of the insulating material sleeve | 11 mm |
| Length contact range | 12 mm |
| Maximum stripping length | 8 mm |
| Min. material thickness | 0.8 mm |
| Inner dimensions of the insulating collar | 4.5 mm |

Internal dimensions

| | |
|-------------------|------|
| Internal diameter | 2 mm |
|-------------------|------|

Material specifications

| | |
|--|-----------------|
| Color | blue (RAL 5015) |
| Material | Copper |
| Flammability rating according to UL 94 | V2 |
| Coating | tin-plated |
| Insulating material | PA |
| Components | halogen-free |

Mechanical properties

Technical data

| | |
|---------------|---------|
| Sleeve length | 23.5 mm |
|---------------|---------|

Environmental and real-life conditions

Ambient conditions

| | |
|---------------------------------|-------------------|
| Ambient temperature (operation) | -20 °C ... 105 °C |
|---------------------------------|-------------------|

C-PCI 2,5/2 - Cable lug

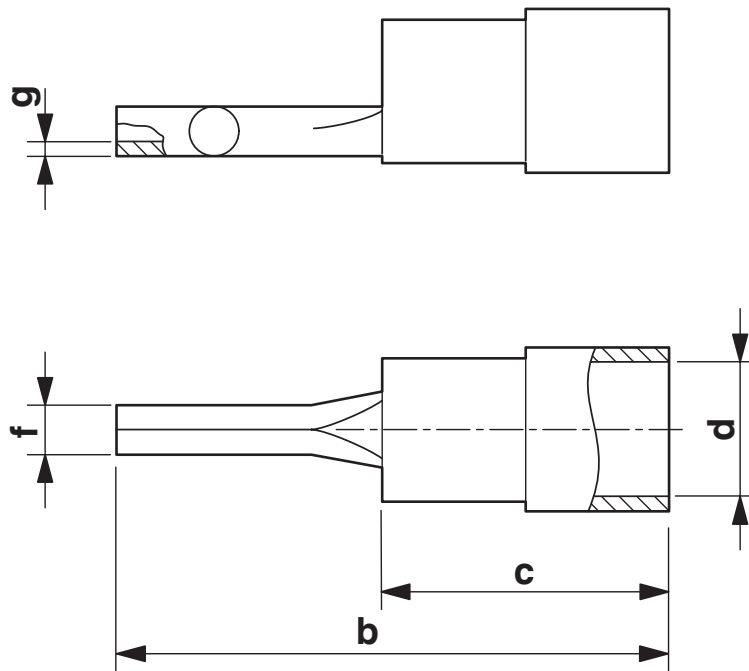
3240066

<https://www.phoenixcontact.com/us/products/3240066>



Drawings

Dimensional drawing



C-PCI 2,5/2 - Cable lug

3240066

<https://www.phoenixcontact.com/us/products/3240066>



Classifications

ECLASS

| | |
|-------------|----------|
| ECLASS-13.0 | 27400204 |
| ECLASS-15.0 | 27400204 |

ETIM

| | |
|-----------|----------|
| ETIM 10.0 | EC001052 |
|-----------|----------|

UNSPSC

| | |
|-------------|----------|
| UNSPSC 21.0 | 27121700 |
|-------------|----------|

C-PCI 2,5/2 - Cable lug



3240066

<https://www.phoenixcontact.com/us/products/3240066>

Environmental product compliance

EU RoHS

| | |
|---|--------------------|
| Fulfills EU RoHS substance requirements | Yes, No exemptions |
|---|--------------------|

China RoHS

| | |
|--|--|
| Environment friendly use period (EFUP) | EFUP-E |
| | No hazardous substances above the limits |

EU REACH SVHC

| | |
|-------------------------------------|----------------------------|
| REACH candidate substance (CAS No.) | No substance above 0.1 wt% |
|-------------------------------------|----------------------------|

EF3.1 Climate Change

| | |
|---------|---------------|
| CO2e kg | 0.021 kg CO2e |
|---------|---------------|

Phoenix Contact 2026 © - all rights reserved
<https://www.phoenixcontact.com>

Phoenix Contact USA
586 Fulling Mill Road
Middletown, PA 17057, United States
(+717) 944-1300
info@phoenixcon.com