

# A 0,25- 5 - Ferrule

3202465

<https://www.phoenixcontact.com/us/products/3202465>



Please be informed that the data shown in this PDF document is generated from our online catalog. Please find the complete data in the user documentation. Our general terms of use for downloads are valid.



Ferrule, Length contact range: 5 mm, sleeve length: 5 mm, color: silver-colored

## Your advantages

- The A 0,25.. ferrules can also be used to process 0.14 mm<sup>2</sup> conductors
- The ferrules without plastic sleeve are made from soft tin-plated electrolytic copper

## Commercial data

Item number	3202465
Packing unit	1,000 pc
Minimum order quantity	1,000 pc
Sales key	BH34
Product key	BH3412
GTIN	4017918157166
Weight per piece (including packing)	0.021 g
Weight per piece (excluding packing)	0.021 g
Customs tariff number	85369010
Country of origin	DE

# A 0,25- 5 - Ferrule

3202465

<https://www.phoenixcontact.com/us/products/3202465>

## Technical data

### Product properties

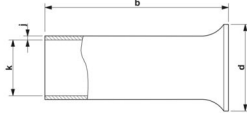
Product type	Cable end sleeve
Product property	Made from tin-plated electrolytic copper
	Design in accordance with DIN 46228-4 and UL 486F
	With "Easy Entry" (conical insertion area)
	Long/short-term temperature: +105°C/+120°C

### Connection data

#### Conductor connection

Conductor cross-section flexible max.	0.25 mm <sup>2</sup>
Conductor cross-section AWG max.	24
Stripping length	5 mm

### Dimensions

Dimensional drawing	
Sleeve length	5 mm
Length contact range	5 mm
Ferrule diameter	0.8 mm
Sleeve wall thickness	0.15 mm
Inner dimensions of the insulating collar	1.7 mm

### Material specifications

Color	silver-colored
Material	CU-DHP
Coating	galvanically tin-plated
Surface characteristics	Tin-plated

### Mechanical properties

#### Technical data

Sleeve length	5 mm
---------------	------

### Environmental and real-life conditions

#### Ambient conditions

Permanent temperature	105 °C
Short-term temperature	120 °C

# A 0,25- 5 - Ferrule

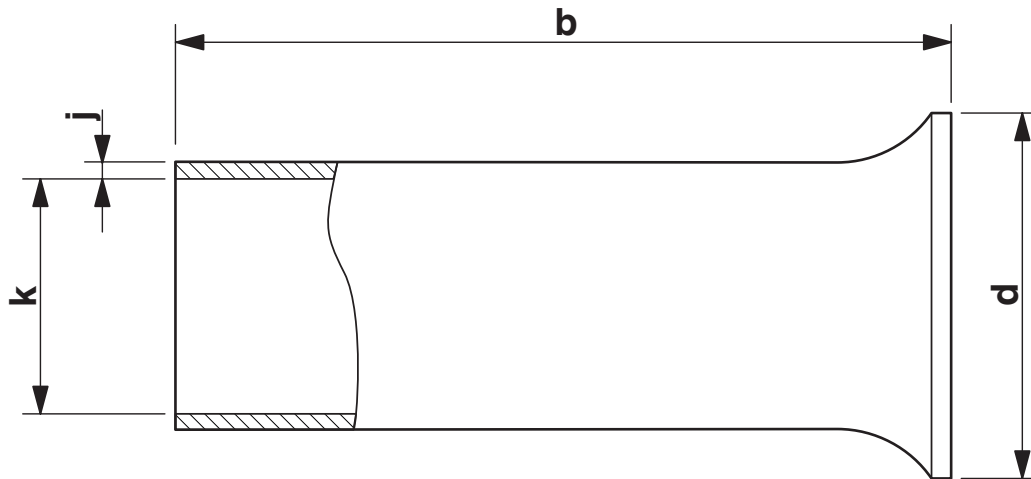
3202465

<https://www.phoenixcontact.com/us/products/3202465>



## Drawings

Dimensional drawing



Sleeve length (b), insulating collar inner dimension (d), sleeve diameter (k), sleeve wall thickness (j)

# A 0,25- 5 - Ferrule

3202465

<https://www.phoenixcontact.com/us/products/3202465>



## Classifications

### ECLASS

ECLASS-13.0	27400201
ECLASS-15.0	27400201

### ETIM

ETIM 10.0	EC000005
-----------	----------

### UNSPSC

UNSPSC 21.0	27121700
-------------	----------

# A 0,25- 5 - Ferrule

3202465

<https://www.phoenixcontact.com/us/products/3202465>



## Environmental product compliance

### EU RoHS

Fulfills EU RoHS substance requirements	Yes, No exemptions
---	--------------------

### China RoHS

Environment friendly use period (EFUP)	EFUP-E
	No hazardous substances above the limits

### EU REACH SVHC

REACH candidate substance (CAS No.)	No substance above 0.1 wt%
-------------------------------------	----------------------------

### EF3.1 Climate Change

CO2e kg	0.001 kg CO2e
---------	---------------

Phoenix Contact 2026 © - all rights reserved  
<https://www.phoenixcontact.com>

Phoenix Contact USA  
586 Fulling Mill Road  
Middletown, PA 17057, United States  
(+717) 944-1300  
[info@phoenixcon.com](mailto:info@phoenixcon.com)