

RWV 5 - Bolt connection terminal block



3073746

<https://www.phoenixcontact.com/us/products/3073746>

Please be informed that the data shown in this PDF document is generated from our online catalog. Please find the complete data in the user documentation. Our general terms of use for downloads are valid.

Panel feed-through terminal block, number of positions: 1, width: 16.3 mm



Commercial data

Item number	3073746
Packing unit	10 pc
Minimum order quantity	10 pc
Note	Made to order (non-returnable)
Sales key	AA28
Product key	AA1DHB
GTIN	4046356368551
Weight per piece (including packing)	47.65 g
Weight per piece (excluding packing)	47.65 g
Customs tariff number	85369010
Country of origin	CN

RWV 5 - Bolt connection terminal block

3073746

<https://www.phoenixcontact.com/us/products/3073746>

Technical data

Product properties

Product type	Panel feed-through terminal block
Product family	RWV 5
Number of positions	1
Pitch	16.3 mm
Number of connections	2
Number of rows	1
Potentials	1

Insulation characteristics

Overvoltage category	III
Degree of pollution	3

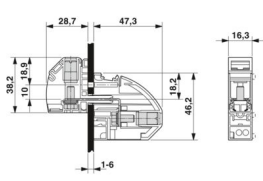
Electrical properties

Rated surge voltage	8 kV
rated voltage (II/2)	1000 V
rated voltage (III/2)	1000 V
Rated voltage (III/3)	1000 V

Material specifications

Color	gray
Flammability rating according to UL 94	V0
Insulating material group	I
Insulating material	PA
Contact surface	Tin Sn
Static insulating material application in cold	-60 °C
Temperature index of insulation material (DIN EN 60216-1 (VDE 0304-21))	130 °C
Relative insulation material temperature index (Elec., UL 746 B)	130 °C

Dimensions

Dimensional drawing	
Width	16.3 mm
Pitch	16.3 mm
Plate thickness	1 mm ... 6 mm

External dimensions

Height_external	46.2 mm
-----------------	---------

RWV 5 - Bolt connection terminal block



3073746

<https://www.phoenixcontact.com/us/products/3073746>

Length_external	47.3 mm
Internal dimensions	
Width_inside	16.3 mm
Height_inside	38.2 mm
Length_inside	28.7 mm

Mechanical tests

Mechanical strength

Result	Test passed
--------	-------------

Electrical tests

Surge voltage test

Test voltage setpoint	9.8 kV
Result	Test passed

Temperature-rise test

Requirement temperature-rise test	Increase in temperature ≤ 45 K
Result	Test passed
Short-time withstand current 16 mm ²	1.92 kA
Result	Test passed

Power-frequency withstand voltage

Test voltage setpoint	2.2 kV
Result	Test passed

Environmental and real-life conditions

Needle-flame test

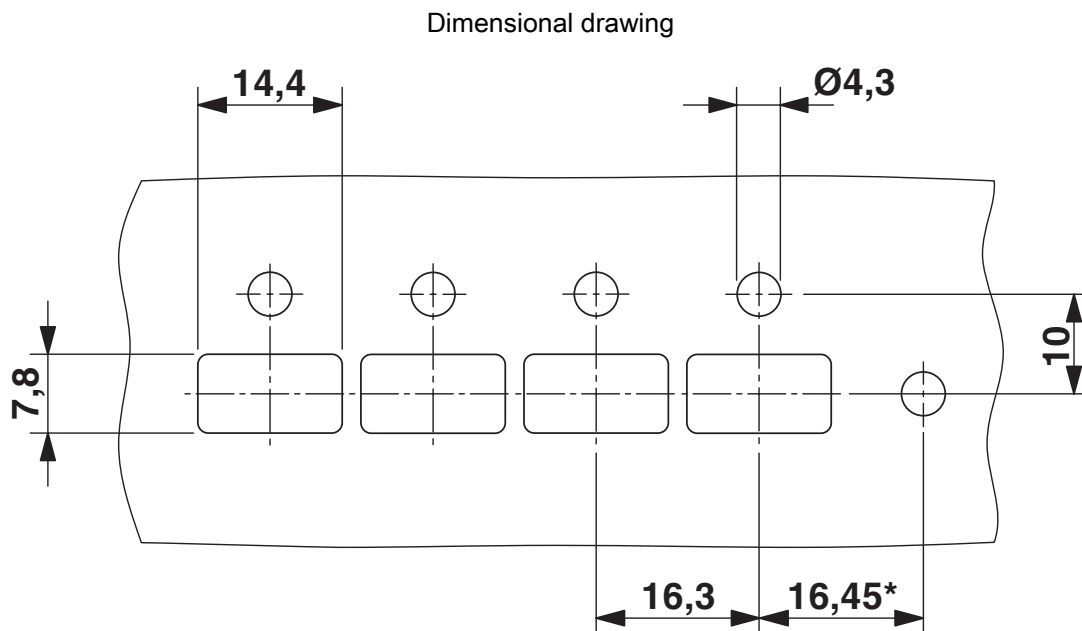
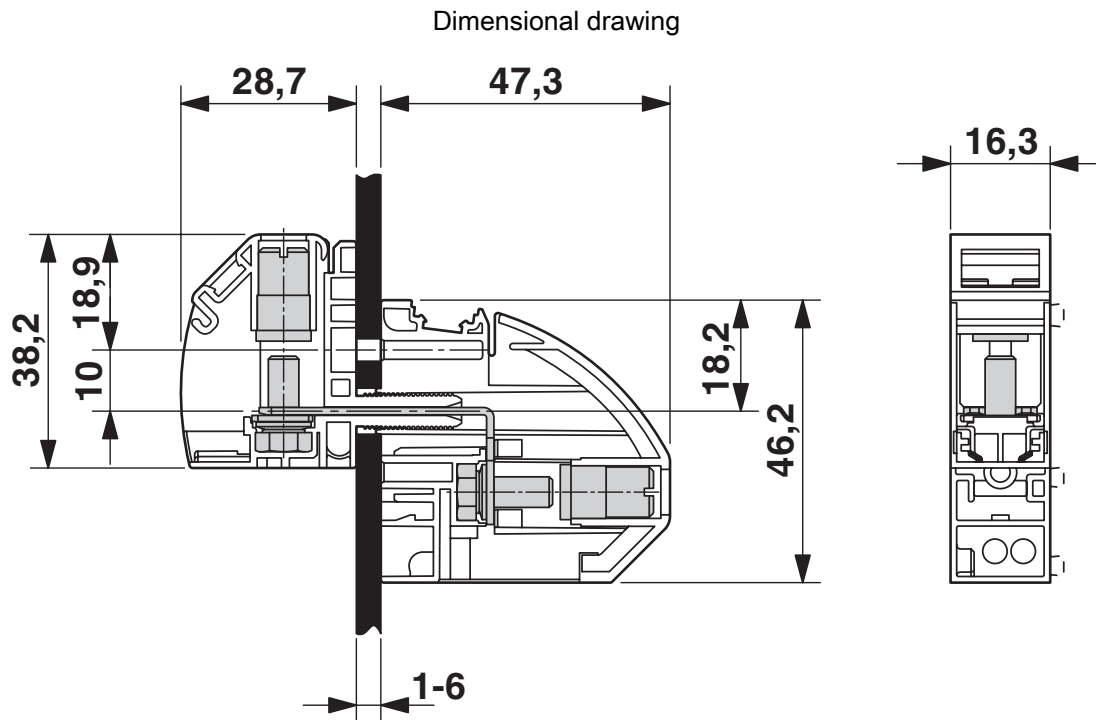
Time of exposure	30 s
Result	Test passed

RWV 5 - Bolt connection terminal block

3073746

<https://www.phoenixcontact.com/us/products/3073746>

Drawings



* Only when using the RW...-F flange plate

RWV 5 - Bolt connection terminal block




3073746

<https://www.phoenixcontact.com/us/products/3073746>

Approvals

To download certificates, visit the product detail page: <https://www.phoenixcontact.com/us/products/3073746>

 UL Recognized Approval ID: E60425-20100319				
	Nominal voltage U_N	Nominal current I_N	Cross section AWG	Cross section mm^2
B	600 V	65 A	-	-
C	600 V	65 A	-	-

RWV 5 - Bolt connection terminal block



3073746

<https://www.phoenixcontact.com/us/products/3073746>

Classifications

UNSPSC

UNSPSC 21.0	39121410
-------------	----------

RWV 5 - Bolt connection terminal block



3073746

<https://www.phoenixcontact.com/us/products/3073746>

Environmental product compliance

EU RoHS

Fulfills EU RoHS substance requirements	Yes
Exemption	6(a), 6(a)-I

China RoHS

Environment friendly use period (EFUP)	EFUP-50
	An article-related China RoHS declaration table can be found in the download area for the respective article under "Manufacturer declaration". For all articles with EFUP-E, no China RoHS declaration table issued and required.

EU REACH SVHC

REACH candidate substance (CAS No.)	Lead(CAS: 7439-92-1)
-------------------------------------	----------------------

Phoenix Contact 2026 © - all rights reserved
<https://www.phoenixcontact.com>

Phoenix Contact USA
586 Fulling Mill Road
Middletown, PA 17057, United States
(+717) 944-1300
info@phoenixcon.com