

FTPR-3/15S - Test plug



3069972

<https://www.phoenixcontact.com/us/products/3069972>

Please be informed that the data shown in this PDF document is generated from our online catalog. Please find the complete data in the user documentation. Our general terms of use for downloads are valid.

Test plug, With twist grip, number of positions: 15, color: gray



The figure shows the 14-pos. version

Your advantages

- Easy and time saving, thanks to functional grouping of switching operations
- Cost-effective, thanks to the tailored, modular design and use of standardized CLIPLINE complete accessories
- Space saving, thanks to offset test socket arrangement
- Safe, thanks to guided operation with patented twist grip
- The automatically generated transformer short circuit and the shock-proof design ensure the highest degree of safety during measurement
- Maximum safety with leading and automatic transformer short circuit
- The integrated, robust switch contact is designed for the most stringent demands, and the use of high-quality materials ensures the transmission of signal currents, even after multiple actuations

Commercial data

Item number	3069972
Packing unit	1 pc
Minimum order quantity	1 pc
Sales key	BE06
Product key	BE6113
GTIN	4055626395760
Weight per piece (including packing)	736.6 g
Weight per piece (excluding packing)	734 g
Customs tariff number	85366990
Country of origin	PL

FTPR-3/15S - Test plug

3069972

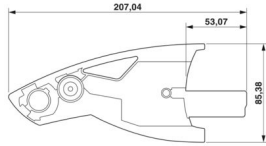
<https://www.phoenixcontact.com/us/products/3069972>

Technical data

Product properties

Product type	Test plug terminal block
Product family	FAME 3
Number of positions	15
Pitch	8.2 mm
Potentials	15

Dimensions

Dimensional drawing	
Width	154.9 mm
Height	86 mm
Pitch	8.2 mm

Material specifications

Color	gray (RAL 7042)
Flammability rating according to UL 94	V0
Insulating material	PA

Environmental and real-life conditions

Ambient conditions

Ambient temperature (operation)	-60 °C ... 105 °C (max. short-term operating temperature RTI Elec.)
Ambient temperature (storage/transport)	-25 °C ... 60 °C (for a short time, not exceeding 24 h, -60 °C to +70 °C)
Ambient temperature (assembly)	-5 °C ... 70 °C
Ambient temperature (actuation)	-5 °C ... 70 °C
Permissible humidity (storage/transport)	30 % ... 70 %

FTPR-3/15S - Test plug

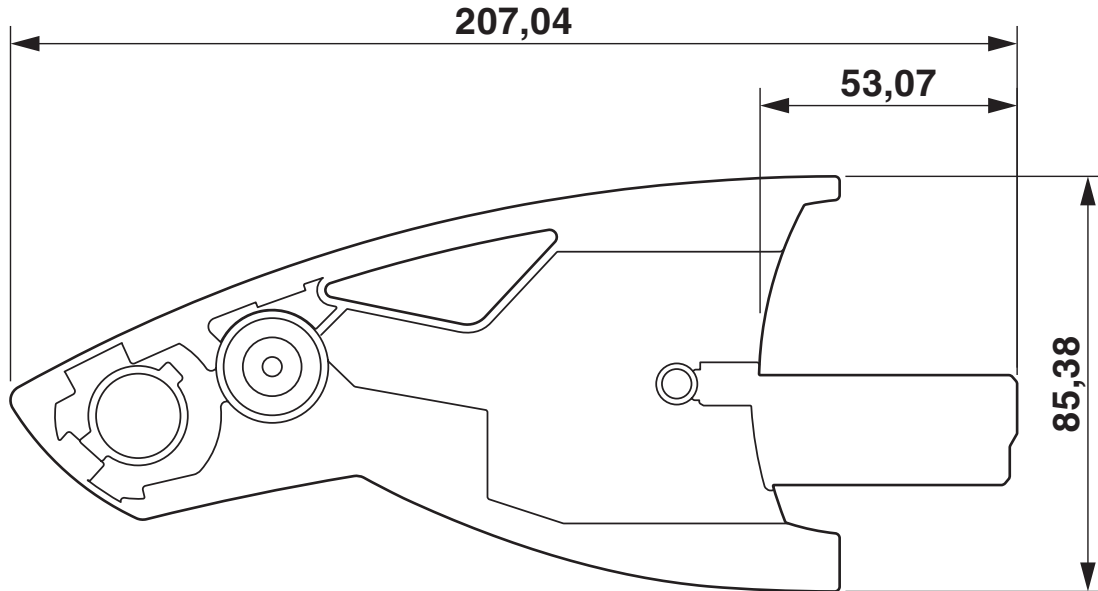


3069972

<https://www.phoenixcontact.com/us/products/3069972>

Drawings

Dimensional drawing



Circuit diagram



FTPR-3/15S - Test plug



3069972

<https://www.phoenixcontact.com/us/products/3069972>

Approvals

To download certificates, visit the product detail page: <https://www.phoenixcontact.com/us/products/3069972>

 cULus Recognized Approval ID: E60425				
	Nominal voltage U_N	Nominal current I_N	Cross section AWG	Cross section mm^2
B	300 V	31 A	-	-
C	300 V	31 A	-	-
F	690 V	31 A	-	-
D	600 V	5 A	-	-

 CSA Approval ID: 13631				
	Nominal voltage U_N	Nominal current I_N	Cross section AWG	Cross section mm^2
B	300 V	31 A	-	-
C	300 V	31 A	-	-
D	600 V	5 A	-	-

FTPR-3/15S - Test plug



3069972

<https://www.phoenixcontact.com/us/products/3069972>

Classifications

ECLASS

ECLASS-13.0	27250304
ECLASS-15.0	27250304

ETIM

ETIM 10.0	EC002555
-----------	----------

UNSPSC

UNSPSC 21.0	20122000
-------------	----------

FTPR-3/15S - Test plug



3069972

<https://www.phoenixcontact.com/us/products/3069972>

Environmental product compliance

EU RoHS

Fulfills EU RoHS substance requirements	Yes
Exemption	6(c)

China RoHS

Environment friendly use period (EFUP)	EFUP-50
	An article-related China RoHS declaration table can be found in the download area for the respective article under "Manufacturer declaration". For all articles with EFUP-E, no China RoHS declaration table issued and required.

EU REACH SVHC

REACH candidate substance (CAS No.)	Lead(CAS: 7439-92-1)
SCIP	b3d4470c-bf82-43f2-adf8-ee99773ca2e8

Phoenix Contact 2026 © - all rights reserved

<https://www.phoenixcontact.com>

Phoenix Contact USA
586 Fulling Mill Road
Middletown, PA 17057, United States
(+717) 944-1300
info@phoenixcon.com