

AKG 4 GN - Connection terminal block



3062935

<https://www.phoenixcontact.com/us/products/3062935>

Please be informed that the data shown in this PDF document is generated from our online catalog. Please find the complete data in the user documentation. Our general terms of use for downloads are valid.



Connection terminal block, nom. voltage: 300 V, nominal current: 41 A, connection method: Screw connection, Rated cross section: 4 mm², cross section: 0.5 mm² - 6 mm², mounting: Neutral busbar, color: green

Commercial data

| | |
|--------------------------------------|---------------|
| Item number | 3062935 |
| Packing unit | 50 pc |
| Minimum order quantity | 50 pc |
| Sales key | BE73 |
| Product key | BE7331 |
| GTIN | 4046356558327 |
| Weight per piece (including packing) | 5.545 g |
| Weight per piece (excluding packing) | 5.469 g |
| Customs tariff number | 85369010 |
| Country of origin | IN |

AKG 4 GN - Connection terminal block



3062935

<https://www.phoenixcontact.com/us/products/3062935>

Technical data

Product properties

| | |
|-----------------------|-----------------------------|
| Product type | Installation terminal block |
| Number of connections | 1 |
| Number of rows | 1 |

Electrical properties

| | |
|---|--------|
| Maximum load current | 41 A |
| Maximum power dissipation for nominal condition | 1.02 W |
| Nominal current I_N | 32 A |
| Current carrying capacity of the neutral busbar | 140 A |

Connection data

| | |
|-----------------------|-------------------|
| Nominal cross section | 4 mm ² |
| Maximum load current | 41 A |

Level 1 above 1 below 1

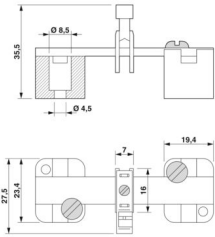
| | |
|---|---|
| Connection method | Screw connection |
| Screw thread | M4 |
| Tightening torque | 1.5 ... 1.8 Nm |
| Stripping length | 16 mm |
| Conductor cross-section rigid | 0.5 mm ² ... 6 mm ² |
| Cross section AWG | 20 ... 10 (converted acc. to IEC) |
| Conductor cross-section flexible | 0.5 mm ² ... 4 mm ² |
| Conductor cross-section, flexible [AWG] | 20 ... 12 (converted acc. to IEC) |
| Conductor cross-section flexible (ferrule without plastic sleeve) | 0.5 mm ² ... 6 mm ² |
| Flexible conductor cross-section (ferrule with plastic sleeve) | 0.5 mm ² ... 6 mm ² |
| 2 conductors with same cross section, rigid | 0.5 mm ² ... 2.5 mm ² |
| 2 conductors with same cross section, flexible | 0.5 mm ² ... 2.5 mm ² |
| 2 conductors with same cross section, flexible, with ferrule without plastic sleeve | 0.5 mm ² ... 2.5 mm ² |
| 2 conductors with the same cross section, flexible, with TWIN ferrule with plastic sleeve | 0.5 mm ² ... 2.5 mm ² |
| Nominal cross section | 4 mm ² |
| Nominal current | 41 A |
| Maximum load current | 41 A (with 6 mm ² conductor cross-section) |
| Nominal voltage | 300 V |

Dimensions

AKG 4 GN - Connection terminal block

3062935

<https://www.phoenixcontact.com/us/products/3062935>

| | |
|---------------------|--|
| Dimensional drawing |  |
| Width | 7 mm |
| Height | 23.7 mm |
| Depth | 23.6 mm |
| Length | 23.7 mm |

Material specifications

| | |
|---|------------------|
| Color | green (RAL 6021) |
| Flammability rating according to UL 94 | V2 |
| Insulating material | PA |
| Temperature index of insulation material (DIN EN 60216-1 (VDE 0304-21)) | 125 °C |
| Relative insulation material temperature index (Elec., UL 746 B) | 125 °C |

Electrical tests

Temperature-rise test

| | |
|-----------------------------------|-------------------------------------|
| Requirement temperature-rise test | Increase in temperature ≤ 45 K |
| Result | Test passed |
| Result | Test passed |

Environmental and real-life conditions

Ambient conditions

| | |
|--|--|
| Ambient temperature (operation) | -60 °C ... 110 °C (Operating temperature range incl. self-heating; for max. short-term operating temperature, see RTI Elec.) |
| Ambient temperature (storage/transport) | -25 °C ... 60 °C (for a short time, not exceeding 24 h, -60 °C to +70 °C) |
| Ambient temperature (assembly) | -5 °C ... 70 °C |
| Ambient temperature (actuation) | -5 °C ... 70 °C |
| Permissible humidity (operation) | 20 % ... 90 % |
| Permissible humidity (storage/transport) | 30 % ... 70 % |

Mounting

| | |
|---------------|----------------|
| Mounting type | Neutral busbar |
|---------------|----------------|

AKG 4 GN - Connection terminal block

3062935

<https://www.phoenixcontact.com/us/products/3062935>

Drawings

Dimensional drawing



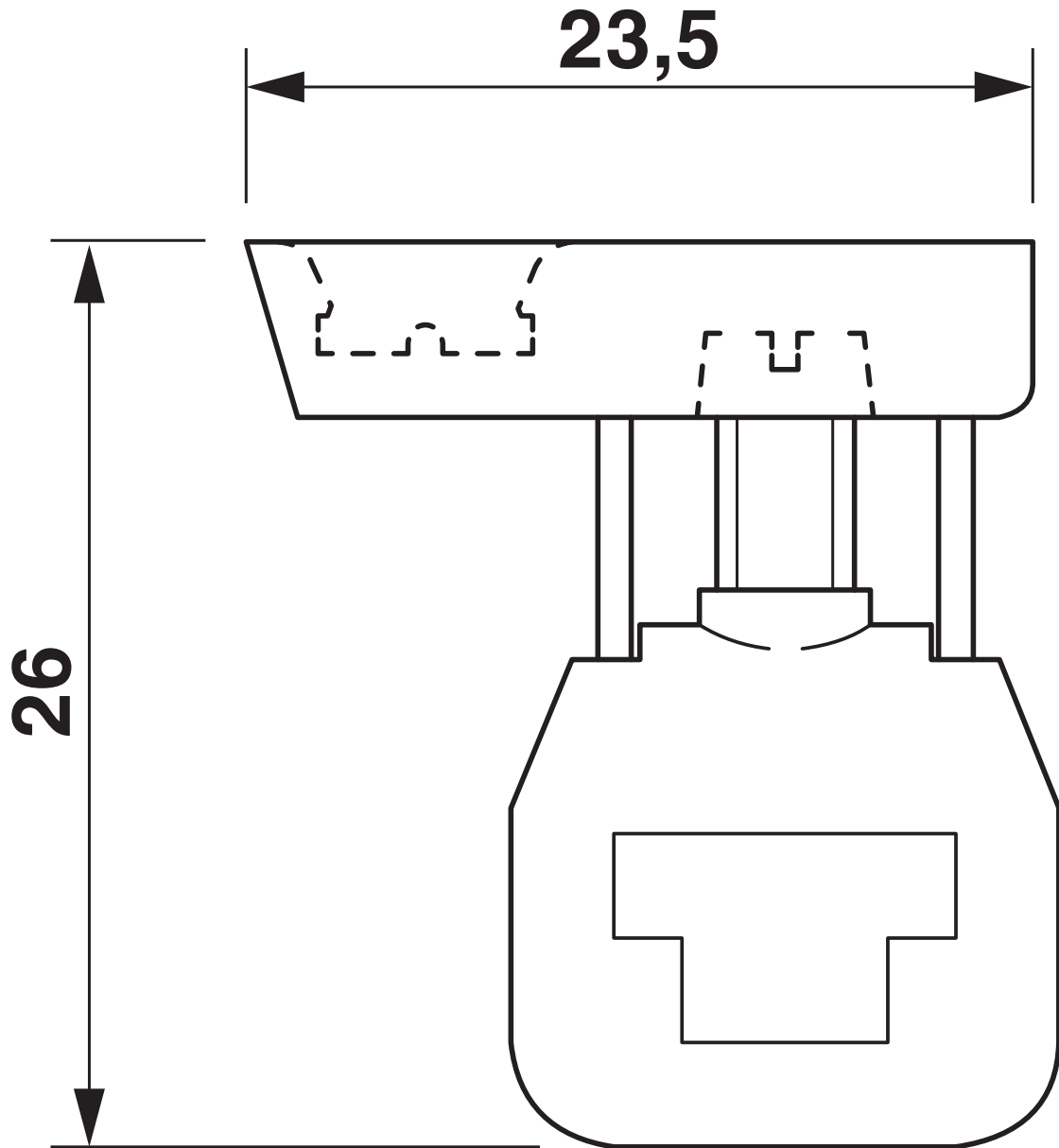
AKG 4 GN - Connection terminal block

3062935

<https://www.phoenixcontact.com/us/products/3062935>



Dimensional drawing



AKG 4 GN - Connection terminal block





3062935


<https://www.phoenixcontact.com/us/products/3062935>

Approvals

To download certificates, visit the product detail page: <https://www.phoenixcontact.com/us/products/3062935>

|  CSA Approval ID: 13631 | | | | |
|--|-----------------------|-----------------------|-------------------|----------------------|
| | Nominal voltage U_N | Nominal current I_N | Cross section AWG | Cross section mm^2 |
| keine | | | | |
| | - | 20 A | 22 - 12 | - |

|  EAC Approval ID: KZ7500651131219505 | | | | |
|---|--|--|--|--|
|---|--|--|--|--|

|  cULus Recognized Approval ID: E60425 | | | | |
|--|-----------------------|-----------------------|-------------------|----------------------|
| | Nominal voltage U_N | Nominal current I_N | Cross section AWG | Cross section mm^2 |
| B | | | | |
| Field wiring | - | 20 A | 22 - 12 | - |
| Factory wiring | - | 30 A | - 10 | - |
| C | | | | |
| Field wiring | - | 20 A | 22 - 12 | - |
| Factory wiring | - | 30 A | - 10 | - |
| F | | | | |
| Field wiring | - | 20 A | 22 - 12 | - |
| Factory wiring | - | 30 A | - 10 | - |

AKG 4 GN - Connection terminal block



3062935

<https://www.phoenixcontact.com/us/products/3062935>

Classifications

ECLASS

| | |
|-------------|----------|
| ECLASS-13.0 | 27250116 |
| ECLASS-15.0 | 27250116 |

ETIM

| | |
|-----------|----------|
| ETIM 10.0 | EC000001 |
|-----------|----------|

UNSPSC

| | |
|-------------|----------|
| UNSPSC 21.0 | 31162900 |
|-------------|----------|

AKG 4 GN - Connection terminal block



3062935

<https://www.phoenixcontact.com/us/products/3062935>

Environmental product compliance

EU RoHS

| | |
|---|--------------------|
| Fulfills EU RoHS substance requirements | Yes, No exemptions |
|---|--------------------|

China RoHS

| | |
|--|--|
| Environment friendly use period (EFUP) | EFUP-E |
| | No hazardous substances above the limits |

EU REACH SVHC

| | |
|-------------------------------------|----------------------------|
| REACH candidate substance (CAS No.) | No substance above 0.1 wt% |
|-------------------------------------|----------------------------|

Phoenix Contact 2026 © - all rights reserved
<https://www.phoenixcontact.com>

Phoenix Contact USA
586 Fulling Mill Road
Middletown, PA 17057, United States
(+717) 944-1300
info@phoenixcon.com