

# APH-ME - Cover profile carrier

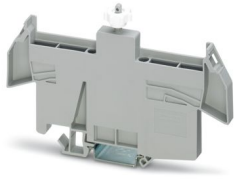


3034374

<https://www.phoenixcontact.com/us/products/3034374>

Please be informed that the data shown in this PDF document is generated from our online catalog. Please find the complete data in the user documentation. Our general terms of use for downloads are valid.

Cover profile carrier, for mounting on NS 35/7,5 DIN rail, for fixing the AP-ME cover profile, including mounting screws and plastic knurled nuts, can be sealed as an option



## Your advantages

- It offers parking options for FBS ...-8 plug-in bridges and can be sealed as an option
- The APH-ME end bracket is used in conjunction with the AP-ME cover

## Commercial data

Item number	3034374
Packing unit	10 pc
Minimum order quantity	10 pc
Sales key	BE06
Product key	BE61ZX
GTIN	4046356316767
Weight per piece (including packing)	28.17 g
Weight per piece (excluding packing)	27.28 g
Customs tariff number	39269097
Country of origin	PL

# APH-ME - Cover profile carrier

3034374

<https://www.phoenixcontact.com/us/products/3034374>

## Technical data

### Product properties

Product type	Cover profile carrier
--------------	-----------------------

### Dimensions

Dimensional drawing	
Width	8.2 mm
Height	138 mm
Depth	91.8 mm
Depth on NS 35/7,5	92.5 mm
Length	138 mm

### Material specifications

Color	gray (RAL 7042)
Material	PA
Flammability rating according to UL 94	V2
Static insulating material application in cold	-60 °C
Temperature index of insulation material (DIN EN 60216-1 (VDE 0304-21))	130 °C
Relative insulation material temperature index (Elec., UL 746 B)	130 °C
Fire protection for rail vehicles (DIN EN 45545-2) R22	HL 1 - HL 3
Fire protection for rail vehicles (DIN EN 45545-2) R23	HL 1 - HL 3
Fire protection for rail vehicles (DIN EN 45545-2) R24	HL 1 - HL 3
Fire protection for rail vehicles (DIN EN 45545-2) R26	HL 1 - HL 3
Calorimetric heat release NFPA 130 (ASTM E 1354)	28 MJ/kg
Surface flammability NFPA 130 (ASTM E 162)	passed
Specific optical density of smoke NFPA 130 (ASTM E 662)	passed
Smoke gas toxicity NFPA 130 (SMP 800C)	passed

### Environmental and real-life conditions

#### Ambient conditions

Ambient temperature (operation)	-60 °C ... 105 °C (max. short-term operating temperature RTI Elec.)
Ambient temperature (storage/transport)	-25 °C ... 60 °C (for a short time, not exceeding 24 h, -60 °C to +70 °C)
Ambient temperature (assembly)	-5 °C ... 70 °C
Ambient temperature (actuation)	-5 °C ... 70 °C
Permissible humidity (storage/transport)	30 % ... 70 %

# APH-ME - Cover profile carrier

3034374

<https://www.phoenixcontact.com/us/products/3034374>



## Mounting

Mounting type	NS 35/7,5
	NS 35/15

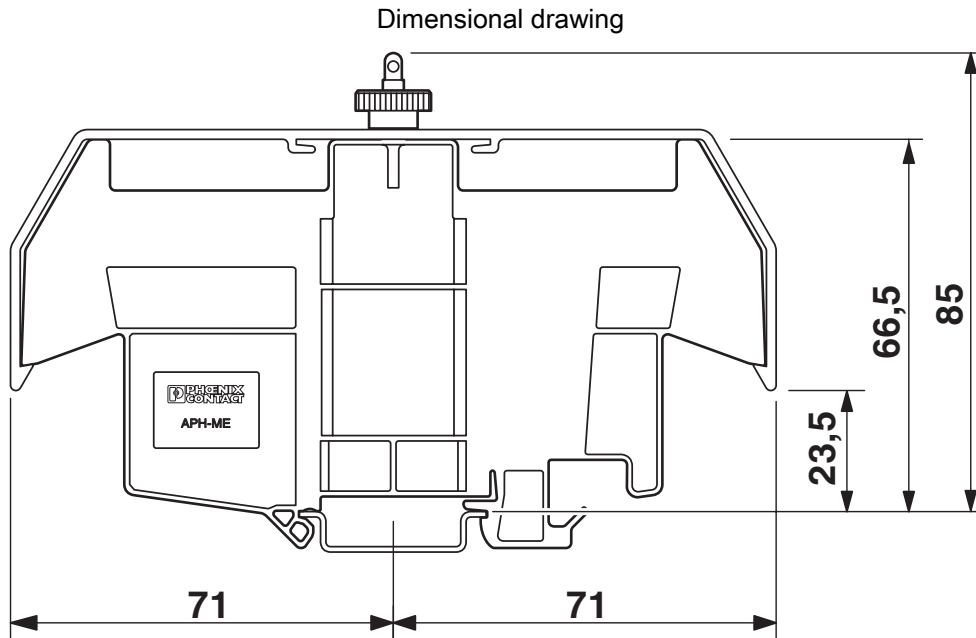
# APH-ME - Cover profile carrier

3034374

<https://www.phoenixcontact.com/us/products/3034374>



## Drawings



# APH-ME - Cover profile carrier



3034374

<https://www.phoenixcontact.com/us/products/3034374>

## Classifications

### ECLASS

ECLASS-13.0	27250302
ECLASS-15.0	27250302

### ETIM

ETIM 10.0	EC001041
-----------	----------

### UNSPSC

UNSPSC 21.0	39121400
-------------	----------

# APH-ME - Cover profile carrier



3034374

<https://www.phoenixcontact.com/us/products/3034374>

## Environmental product compliance

### EU RoHS

Fulfills EU RoHS substance requirements	Yes, No exemptions
---	--------------------

### China RoHS

Environment friendly use period (EFUP)	EFUP-E
	No hazardous substances above the limits

### EU REACH SVHC

REACH candidate substance (CAS No.)	No substance above 0.1 wt%
-------------------------------------	----------------------------

Phoenix Contact 2026 © - all rights reserved  
<https://www.phoenixcontact.com>

Phoenix Contact USA  
586 Fulling Mill Road  
Middletown, PA 17057, United States  
(+717) 944-1300  
[info@phoenixcon.com](mailto:info@phoenixcon.com)