

# AB-SK/E - Support bracket



3026476

<https://www.phoenixcontact.com/us/products/3026476>

Please be informed that the data shown in this PDF document is generated from our online catalog. Please find the complete data in the user documentation. Our general terms of use for downloads are valid.

Support bracket, Bracket for busbars, set every 20 cm, depth: 20 mm, width: 56 mm, height: 10 mm, diameter: 4.5 mm, number of positions: 2, color: silver-colored, mounting type: Direct mounting



## Your advantages

- Version for NS 35 DIN rail mounting
- T-shaped support brackets for space-saving direct mounting and free positioning on the mounting panel
- Suitable for SK 5 to SK 14, SKS 8, and SKS 14 shield connection clamps

## Commercial data

Item number	3026476
Packing unit	10 pc
Minimum order quantity	10 pc
Sales key	BE07
Product key	BE7113
GTIN	4017918168001
Weight per piece (including packing)	18.77 g
Weight per piece (excluding packing)	17.237 g
Customs tariff number	76169990
Country of origin	PL

# AB-SK/E - Support bracket

3026476

<https://www.phoenixcontact.com/us/products/3026476>



## Technical data

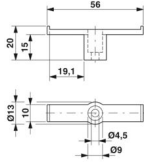
### Product properties

Product type	Support bracket
Number of positions	2

### Electrical properties

Nominal current $I_N$	0 A
-----------------------	-----

### Dimensions

Dimensional drawing	
Width	56 mm
Height	10 mm
Depth	20 mm
Diameter	4.5 mm

### Material specifications

Color	silver-colored
Material	Aluminum
Insulating material	PA

### Mounting

Mounting type	Direct mounting
---------------	-----------------

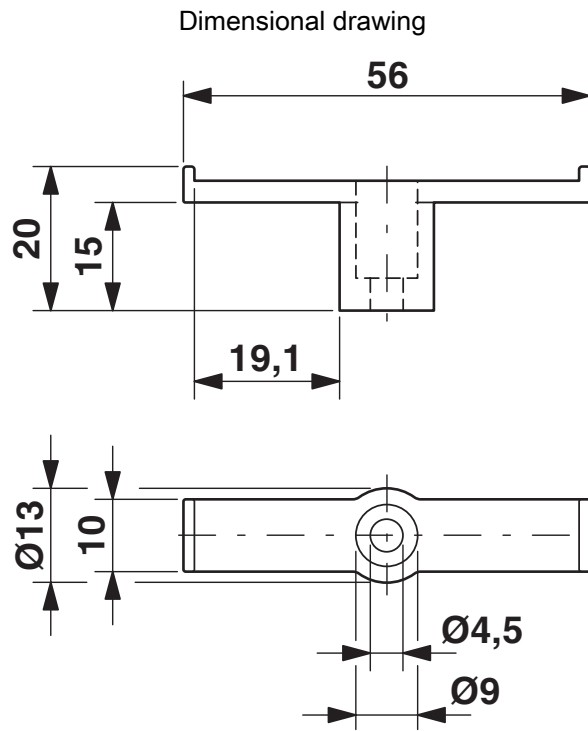
# AB-SK/E - Support bracket

3026476

<https://www.phoenixcontact.com/us/products/3026476>



## Drawings



# AB-SK/E - Support bracket

3026476

<https://www.phoenixcontact.com/us/products/3026476>



## Classifications

### ECLASS

ECLASS-13.0	27400607
ECLASS-15.0	27400607

### ETIM

ETIM 10.0	EC001166
-----------	----------

### UNSPSC

UNSPSC 21.0	39121700
-------------	----------

# AB-SK/E - Support bracket



3026476

<https://www.phoenixcontact.com/us/products/3026476>

## Environmental product compliance

### EU RoHS

Fulfills EU RoHS substance requirements	Yes
Exemption	6(b), 6(b)-II

### China RoHS

Environment friendly use period (EFUP)	EFUP-50
	An article-related China RoHS declaration table can be found in the download area for the respective article under "Manufacturer declaration". For all articles with EFUP-E, no China RoHS declaration table issued and required.

### EU REACH SVHC

REACH candidate substance (CAS No.)	Lead(CAS: 7439-92-1)
SCIP	658c4927-4542-4fea-a036-f67bcb435006

### EF3.1 Climate Change

CO2e kg	0.101 kg CO2e
---------	---------------

Phoenix Contact 2026 © - all rights reserved  
<https://www.phoenixcontact.com>

Phoenix Contact USA  
586 Fulling Mill Road  
Middletown, PA 17057, United States  
(+717) 944-1300  
[info@phoenixcon.com](mailto:info@phoenixcon.com)