

SK 5-D - Shield connection terminal block



3025406

<https://www.phoenixcontact.com/us/products/3025406>

Please be informed that the data shown in this PDF document is generated from our online catalog. Please find the complete data in the user documentation. Our general terms of use for downloads are valid.



Shield connection terminal block, for direct shield on conductive mounting panels, sheet thickness 1 mm ... 2 mm

Your advantages

- Easy handling
- Spring-loaded, large-surface pressure plate
- Suitable for direct and busbar mounting
- Knurled screw
- As components, it is not possible to certify shield connections in accordance with the requirements of the directive and standards for electrical equipment in potentially explosive areas. As such, shield connection clamps can be used in the Ex area even without an appropriate approval or marking.

Commercial data

Item number	3025406
Packing unit	10 pc
Minimum order quantity	10 pc
Sales key	BE75
Product key	BE7511
GTIN	4046356118170
Weight per piece (including packing)	12.3 g
Weight per piece (excluding packing)	12.3 g
Customs tariff number	85369010
Country of origin	CN

SK 5-D - Shield connection terminal block

3025406

<https://www.phoenixcontact.com/us/products/3025406>

Technical data

Notes

General

Note	The shield connection clamps must not be used for strain relief of cables/conductors.
	Do not use for protective conductor connection.

Product properties

Product type	Shield connection clamp
Pitch	9 mm
Number of connections	1
Number of rows	1

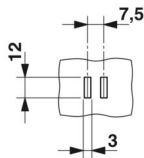
Electrical properties

Maximum power dissipation for nominal condition	0 W
Contact resistance	< 0.001 Ω

Connection data

Grounding foot	Yes
Connection method	Screw connection
Screw thread	M4
Tightening torque	... 0.4 Nm

Dimensions

Dimensional drawing	
Width	9 mm
Height	19.5 mm
Depth	46.8 mm
Pitch	9 mm

External dimensions

Outside diameter	2 mm ... 5 mm
------------------	---------------

Material specifications

Color	silver-colored
Material	Steel

Cable/line

SK 5-D - Shield connection terminal block



3025406

<https://www.phoenixcontact.com/us/products/3025406>

External cable diameter	2 mm ... 5 mm
-------------------------	---------------

Mechanical properties

Mechanical data

Open side panel	No
-----------------	----

Mechanical tests

Mechanical strength

Result	Test passed
--------	-------------

Environmental and real-life conditions

Oscillation/broadband noise

Specification	DIN EN 50155 (VDE 0115-200):2008-03
Spectrum	Long life test category 1, class B, body mounted
Frequency	$f_1 = 5 \text{ Hz}$ to $f_2 = 150 \text{ Hz}$
ASD level	0.02g ² /Hz
Acceleration	0.8g
Test duration per axis	5 h
Test directions	X-, Y- and Z-axis
Result	Test passed

Shocks

Specification	DIN EN 50155 (VDE 0115-200):2008-03
Pulse shape	Half-sine
Acceleration	5g
Shock duration	30 ms
Number of shocks per direction	3
Test directions	X-, Y- and Z-axis (pos. and neg.)
Result	Test passed

Mounting

Mounting type	direct screw connection
---------------	-------------------------

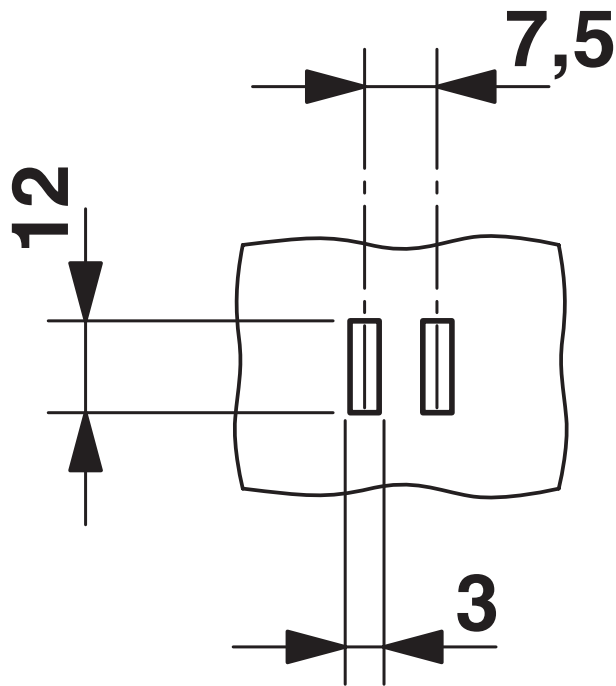
SK 5-D - Shield connection terminal block

3025406

<https://www.phoenixcontact.com/us/products/3025406>

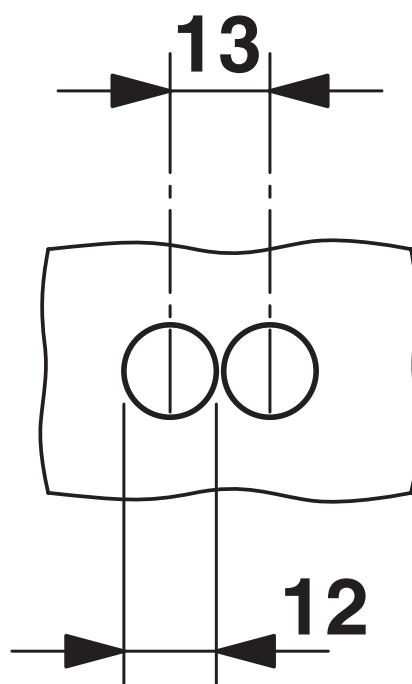
Drawings

Dimensional drawing



Punching template

Dimensional drawing



Drilling diagram

SK 5-D - Shield connection terminal block



3025406

<https://www.phoenixcontact.com/us/products/3025406>

Classifications

ECLASS

ECLASS-13.0	27250309
ECLASS-15.0	27250309

ETIM

ETIM 10.0	EC002020
-----------	----------

UNSPSC

UNSPSC 21.0	39121400
-------------	----------

SK 5-D - Shield connection terminal block



3025406

<https://www.phoenixcontact.com/us/products/3025406>

Environmental product compliance

EU RoHS

Fulfills EU RoHS substance requirements	Yes, No exemptions
---	--------------------

China RoHS

Environment friendly use period (EFUP)	EFUP-E
	No hazardous substances above the limits

EU REACH SVHC

REACH candidate substance (CAS No.)	No substance above 0.1 wt%
-------------------------------------	----------------------------

EF3.1 Climate Change

CO2e kg	0.155 kg CO2e
---------	---------------

Phoenix Contact 2026 © - all rights reserved
<https://www.phoenixcontact.com>

Phoenix Contact USA
586 Fulling Mill Road
Middletown, PA 17057, United States
(+717) 944-1300
info@phoenixcon.com