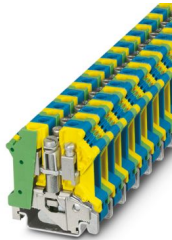


UK 6 N-PE/N - Installation protective conductor terminal block

3024753

<https://www.phoenixcontact.com/us/products/3024753>

Please be informed that the data shown in this PDF document is generated from our online catalog. Please find the complete data in the user documentation. Our general terms of use for downloads are valid.



Installation protective conductor terminal block, PE/N block, consisting of a green-yellow protective conductor terminal block and a blue terminal block with screw bridge, nom. voltage: 400 V, nominal current: 57 A, number of connections: 2, connection method: Screw connection, cross section: 0.2 mm² - 10 mm², mounting type: NS 35/7,5, NS 35/15, NS 32, color: green-yellow-blue

Commercial data

Item number	3024753
Packing unit	10 pc
Minimum order quantity	10 pc
Sales key	BE12
Product key	BE1221
GTIN	4017918130251
Weight per piece (including packing)	47.14 g
Weight per piece (excluding packing)	43.34 g
Customs tariff number	85369010
Country of origin	PL

UK 6 N-PE/N - Installation protective conductor terminal block



3024753

<https://www.phoenixcontact.com/us/products/3024753>

Technical data

Product properties

Product type	Ground terminal block
Number of connections	2
Number of rows	1

Insulation characteristics

Overvoltage category	III
Degree of pollution	3

Electrical properties

Rated surge voltage	6 kV
Maximum power dissipation for nominal condition	0 W

Connection data

PEN function	yes
Grounding foot	Yes
Number of connections per level	2

Level 1 above 1 below 1

Connection method	Screw connection
Screw thread	M4
Note	Please observe the current carrying capacity of the DIN rails.
Tightening torque	1.5 ... 1.8 Nm
Stripping length	10 mm
Connection in acc. with standard	IEC / EN
Conductor cross-section rigid	0.2 mm ² ... 10 mm ²
Cross section AWG	24 ... 8 (converted acc. to IEC)
Conductor cross-section flexible	0.2 mm ² ... 6 mm ²
Conductor cross-section, flexible [AWG]	24 ... 10 (converted acc. to IEC)
Conductor cross-section flexible (ferrule without plastic sleeve)	0.25 mm ² ... 6 mm ²
Flexible conductor cross-section (ferrule with plastic sleeve)	0.25 mm ² ... 6 mm ²
Cross-section with insertion bridge, rigid	4 mm ²
Cross-section with insertion bridge, flexible	4 mm ²
Nominal current	57 A
Maximum load current	57 A (with 10 mm ² conductor cross-section)
Nominal voltage	400 V

Dimensions

Width	16.4 mm
Height	42.5 mm
Depth on NS 32	52 mm
Depth on NS 35/7,5	47 mm

UK 6 N-PE/N - Installation protective conductor terminal block



3024753

<https://www.phoenixcontact.com/us/products/3024753>

Depth on NS 35/15	54.5 mm
-------------------	---------

Material specifications

Color	multicolored (RAL -) green-yellow blue (RAL 5015)
Flammability rating according to UL 94	V0
Insulating material group	I
Insulating material	PA
Static insulating material application in cold	-60 °C
Temperature index of insulation material (DIN EN 60216-1 (VDE 0304-21))	130 °C
Relative insulation material temperature index (Elec., UL 746 B)	130 °C
Fire protection for rail vehicles (DIN EN 45545-2) R22	HL 1 - HL 3
Fire protection for rail vehicles (DIN EN 45545-2) R23	HL 1 - HL 3
Fire protection for rail vehicles (DIN EN 45545-2) R24	HL 1 - HL 3
Fire protection for rail vehicles (DIN EN 45545-2) R26	HL 1 - HL 3
Calorimetric heat release NFPA 130 (ASTM E 1354)	28 MJ/kg
Surface flammability NFPA 130 (ASTM E 162)	passed
Specific optical density of smoke NFPA 130 (ASTM E 662)	passed
Smoke gas toxicity NFPA 130 (SMP 800C)	passed

Mechanical properties

General

Terminal block mounting	1.5 Nm ... 1.8 Nm (PE foot with mounting screw, M4)
-------------------------	---

Mechanical data

Open side panel	No
-----------------	----

Environmental and real-life conditions

Ambient conditions

Ambient temperature (operation)	-60 °C ... 110 °C (Operating temperature range incl. self-heating; for max. short-term operating temperature, see RTI Elec.)
Ambient temperature (storage/transport)	-25 °C ... 60 °C (for a short time, not exceeding 24 h, -60 °C to +70 °C)
Ambient temperature (assembly)	-5 °C ... 70 °C
Ambient temperature (actuation)	-5 °C ... 70 °C
Permissible humidity (operation)	20 % ... 90 %
Permissible humidity (storage/transport)	30 % ... 70 %

Standards and regulations

Connection in acc. with standard	IEC / EN
----------------------------------	----------

Mounting

	NS 35/7,5
--	-----------

UK 6 N-PE/N - Installation protective conductor terminal block



3024753

<https://www.phoenixcontact.com/us/products/3024753>

Mounting type	NS 35/15
	NS 32
Terminal block mounting	1.5 Nm ... 1.8 Nm (PE foot with mounting screw, M4)

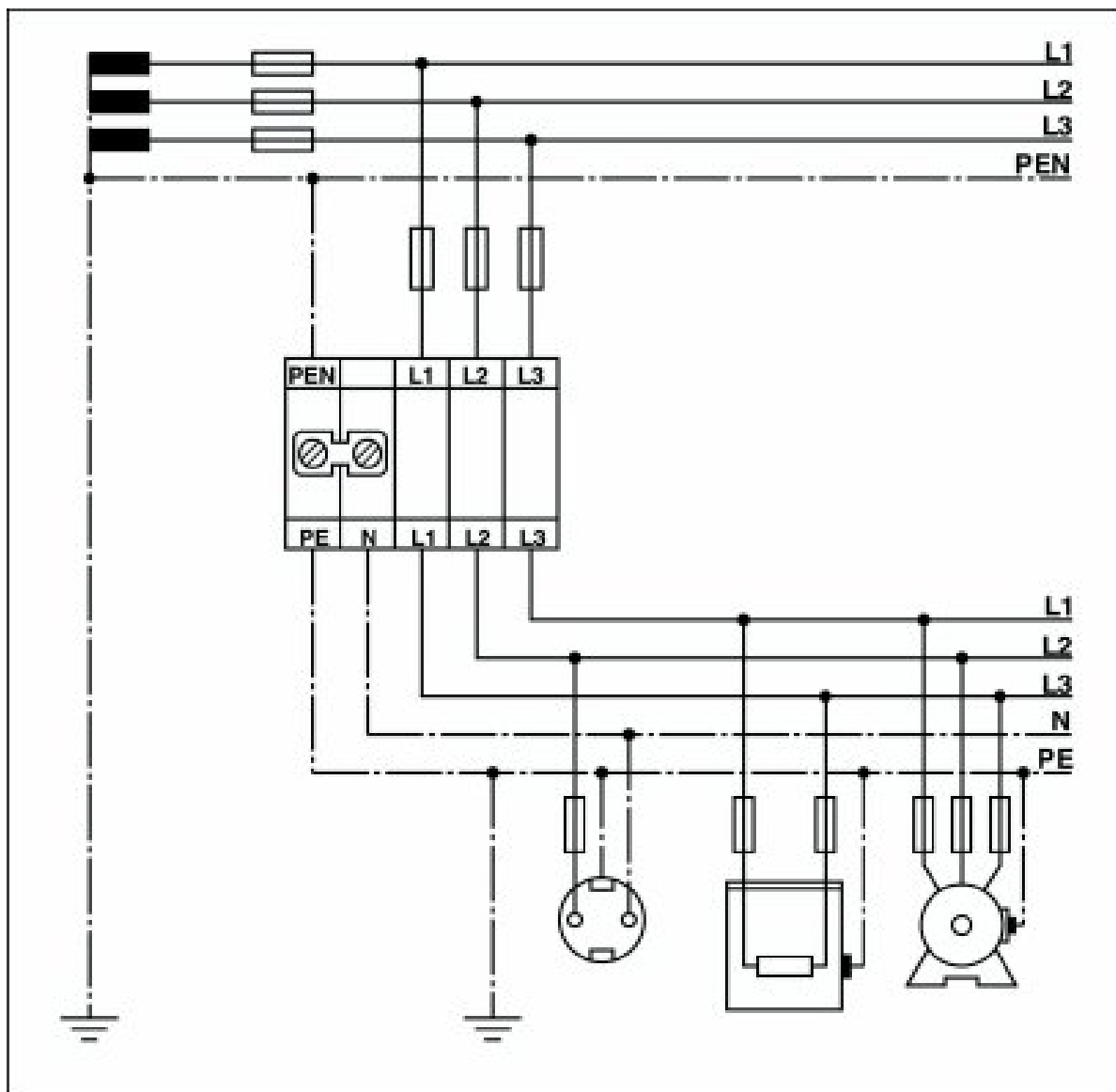
UK 6 N-PE/N - Installation protective conductor terminal block

3024753

<https://www.phoenixcontact.com/us/products/3024753>

Drawings

Connection diagram

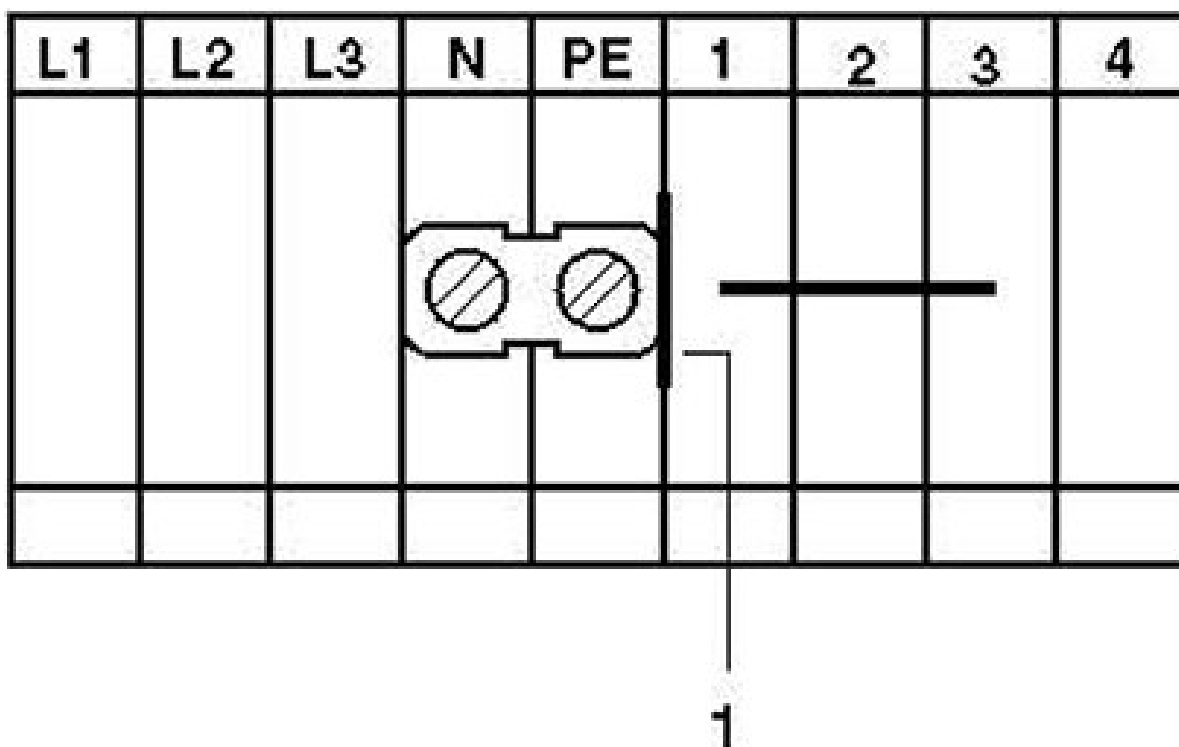


UK 6 N-PE/N - Installation protective conductor terminal block

3024753

<https://www.phoenixcontact.com/us/products/3024753>

Circuit diagram



1 = separating plate

UK 6 N-PE/N - Installation protective conductor terminal block



3024753

<https://www.phoenixcontact.com/us/products/3024753>

Classifications

ECLASS

ECLASS-13.0

27250103

ETIM

ETIM 9.0

EC000901

UNSPSC

UNSPSC 21.0

39121400

UK 6 N-PE/N - Installation protective conductor terminal block



3024753

<https://www.phoenixcontact.com/us/products/3024753>

Environmental product compliance

EU RoHS

Fulfills EU RoHS substance requirements	Yes
Exemption	6(c)

China RoHS

Environment friendly use period (EFUP)	EFUP-50
	An article-related China RoHS declaration table can be found in the download area for the respective article under "Manufacturer declaration". For all articles with EFUP-E, no China RoHS declaration table issued and required.

EU REACH SVHC

REACH candidate substance (CAS No.)	Lead(CAS: 7439-92-1)
-------------------------------------	----------------------

EF3.1 Climate Change

CO2e kg	1.487 kg CO2e
---------	---------------

Phoenix Contact 2026 © - all rights reserved
<https://www.phoenixcontact.com>

Phoenix Contact USA
586 Fulling Mill Road
Middletown, PA 17057, United States
(+717) 944-1300
info@phoenixcon.com