

PS-UK 2,5 B/E - Test plug

3001132

<https://www.phoenixcontact.com/us/products/3001132>



Please be informed that the data shown in this PDF document is generated from our online catalog. Please find the complete data in the user documentation. Our general terms of use for downloads are valid.



Test plug, number of positions: 1, color: red

Your advantages

- The test plug reliably makes contact in the bridge shaft and in all test sockets with a 2.3 mm or 4 mm diameter
- Individual test adapters can be combined using the modular PS-...2,3MM test plug.

Commercial data

Item number	3001132
Packing unit	1 pc
Note	Made to order (non-returnable)
Sales key	BE19
Product key	BE1Z3X
GTIN	4017918089832
Weight per piece (including packing)	4.73 g
Weight per piece (excluding packing)	4.73 g
Customs tariff number	85366990
Country of origin	PL

PS-UK 2,5 B/E - Test plug

3001132

<https://www.phoenixcontact.com/us/products/3001132>



Technical data

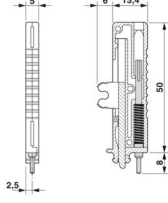
Product properties

Product type	Test plug terminal block
Number of positions	1
Pitch	5 mm

Connection data

Connection method	Spring-cage connection
-------------------	------------------------

Dimensions

Dimensional drawing	
Width	5 mm
Pitch	5 mm

Material specifications

Color	red
Material	PA
Flammability rating according to UL 94	V2

Environmental and real-life conditions

Ambient conditions

Ambient temperature (operation)	-40 °C ... 115 °C
---------------------------------	-------------------

PS-UK 2,5 B/E - Test plug

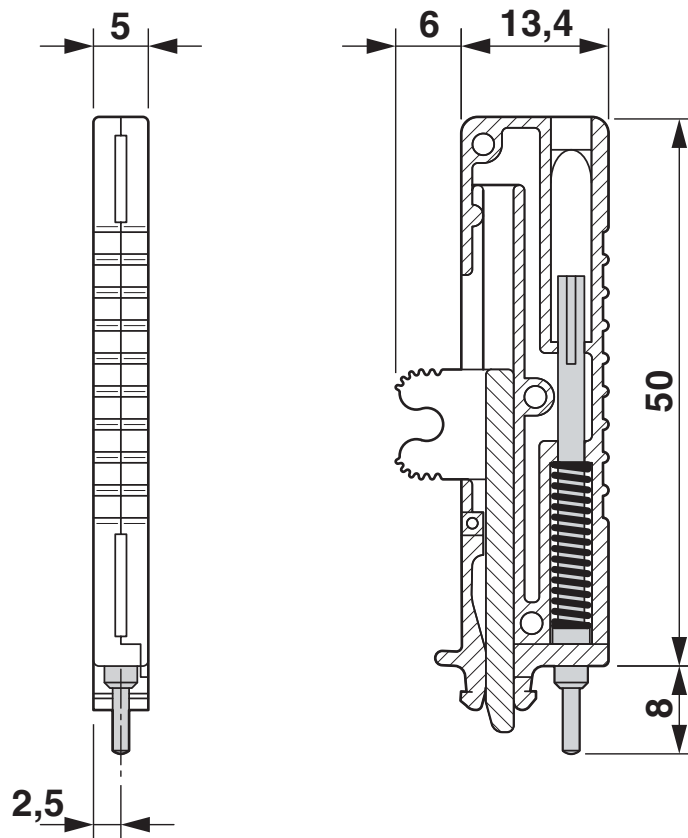
3001132

<https://www.phoenixcontact.com/us/products/3001132>



Drawings

Dimensional drawing



PS-UK 2,5 B/E - Test plug

3001132

<https://www.phoenixcontact.com/us/products/3001132>



Classifications

UNSPSC

UNSPSC 21.0	39121410
-------------	----------

3001132

<https://www.phoenixcontact.com/us/products/3001132>

Environmental product compliance

EU RoHS

Fulfills EU RoHS substance requirements	Yes
Exemption	6(c)

China RoHS

Environment friendly use period (EFUP)	EFUP-50
	An article-related China RoHS declaration table can be found in the download area for the respective article under "Manufacturer declaration". For all articles with EFUP-E, no China RoHS declaration table issued and required.

EU REACH SVHC

REACH candidate substance (CAS No.)	Lead(CAS: 7439-92-1)
-------------------------------------	----------------------

Phoenix Contact 2026 © - all rights reserved
<https://www.phoenixcontact.com>

Phoenix Contact USA
586 Fulling Mill Road
Middletown, PA 17057, United States
(+717) 944-1300
info@phoenixcon.com