

# PLC-OSC- 24DC/ 24DC/ 5/ACT - Solid-state relay module



2982786

<https://www.phoenixcontact.com/us/products/2982786>

Please be informed that the data shown in this PDF document is generated from our online catalog. Please find the complete data in the user documentation. Our general terms of use for downloads are valid.



PLC-INTERFACE for output functions, consisting of PLC-BSC.../ACT basic terminal block with screw connection and plug-in miniature solid-state relay, for mounting on DIN rail NS 35/7,5, 1 N/O contact, input: 24 V DC, output: 3 ... 33 V DC/5 A

## Your advantages

- PLC actuator series with solid-state power relays for coupling the controller and actuators, such as motors, contactors, valves, etc.

## Commercial data

Item number	2982786
Packing unit	10 pc
Minimum order quantity	10 pc
Sales key	C462
Product key	DK6233
GTIN	4046356342841
Weight per piece (including packing)	71.75 g
Weight per piece (excluding packing)	67.818 g
Customs tariff number	85364190
Country of origin	DE

# PLC-OSC- 24DC/ 24DC/ 5/ACT - Solid-state relay module



2982786

<https://www.phoenixcontact.com/us/products/2982786>

## Technical data

### Product properties

Product type	Solid-state relay module
Product family	PLC-INTERFACE
Application	Output function
Operating mode	100% operating factor

### Insulation characteristics: Standards/regulations

Insulation	Basic insulation
Overvoltage category	III
Pollution degree	2

### Data management status

Date of last data management	01.04.2026
------------------------------	------------

### Electrical properties

Maximum power dissipation for nominal condition	0.22 W
Test voltage (Input/output)	2.5 kV (50 Hz, 1 min., input/output)

### Input data

Nominal input voltage $U_N$	24 V DC
Nominal voltage (plugged-in solid-state relay)	24 V DC
Input voltage range in reference to $U_N$	0.8 ... 1.2
Input voltage range	19.2 V DC ... 28.8 V DC
Switching threshold "0" signal, voltage	< 10.7 V
Switching threshold "1" signal voltage	> 16.7 V
Typical input current at $U_N$	9 mA
Typical response time	20 $\mu$ s
Typical turn-off time	400 $\mu$ s
Operating voltage display	Yellow LED
Protective circuit	Reverse polarity protection; Polarity protection diode Freewheeling diode; Freewheeling diode
Transmission frequency	300 Hz

### Output data

Contact switching type	1 N/O contact
Design of digital output	electronic
Output nominal voltage	24 V DC
Output voltage range	3 V DC ... 33 V DC
Limiting continuous current	5 A (see derating curve)
Maximum inrush current	15 A (10 ms)
Surge voltage protection	> 33 V DC
Voltage drop at max. limiting continuous current	$\leq$ 200 mV

# PLC-OSC- 24DC/ 24DC/ 5/ACT - Solid-state relay module



2982786

<https://www.phoenixcontact.com/us/products/2982786>

Output circuit	2-conductor, floating
Protective circuit	Reverse polarity protection; Polarity protection diode
	Surge protection

## Connection data

Connection method	Screw connection
Stripping length	8 mm
Screw thread	M3
Conductor cross-section rigid	0.14 mm <sup>2</sup> ... 2.5 mm <sup>2</sup>
Conductor cross-section flexible	0.14 mm <sup>2</sup> ... 2.5 mm <sup>2</sup>
	0.2 mm <sup>2</sup> ... 2.5 mm <sup>2</sup> (Single ferrule)
	2x 0.5 mm <sup>2</sup> ... 1.5 mm <sup>2</sup> (TWIN ferrule)
Conductor cross-section AWG	26 ... 14
Tightening torque	0.6 Nm ... 0.8 Nm

## Dimensions

### Item dimensions

Width	14 mm
Height	80 mm
Depth	94 mm

## Material specifications

Color	gray (RAL 7042)
Flammability rating according to UL 94 (Housing)	V0 (Housing)

## Environmental and real-life conditions

### Ambient conditions

Ambient temperature (operation)	-20 °C ... 60 °C
Ambient temperature (storage/transport)	-25 °C ... 70 °C

## Approvals

### CE

Certificate	CE-compliant
-------------	--------------

### UKCA

Certificate	UKCA-compliant
-------------	----------------

### Shipbuilding approval

Certificate	TAE0000196
-------------	------------

### Corrosive gas test

Identification	ISA-S71.04. G3 Harsh Group
	EN 60068-2-60

### Shipbuilding data

# PLC-OSC- 24DC/ 24DC/ 5/ACT - Solid-state relay module



2982786

<https://www.phoenixcontact.com/us/products/2982786>

Temperature	D
Humidity	A
Vibration	B/C
EMC	B
Enclosure	Required protection according to the Rules shall be provided upon installation on board

## EMC data

Electromagnetic compatibility	Conformance with EMC directive
Low Voltage Directive	Conformance with Low Voltage Directive

## Standards and regulations

### Standards/regulations

Standards/regulations	IEC 60947-5-1
-----------------------	---------------

## Mounting

Mounting type	DIN rail mounting
Assembly note	in rows with zero spacing
Mounting position	see to derating

# PLC-OSC- 24DC/ 24DC/ 5/ACT - Solid-state relay module

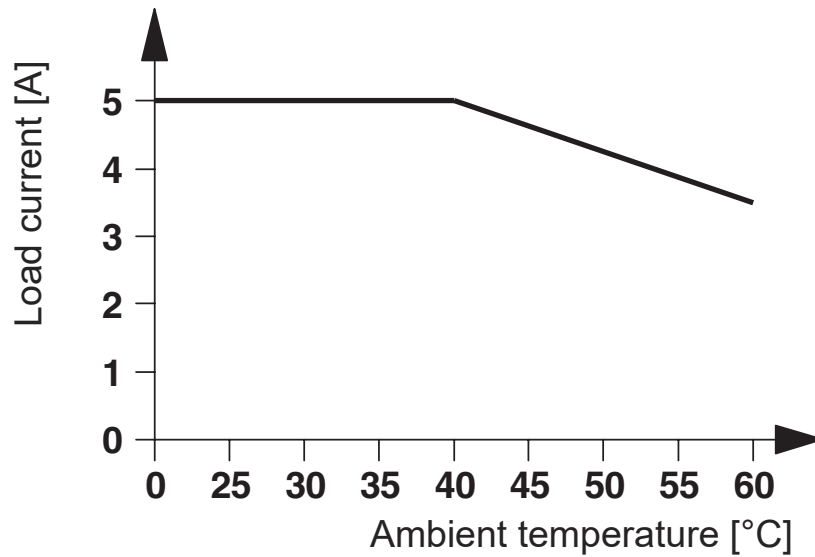


2982786

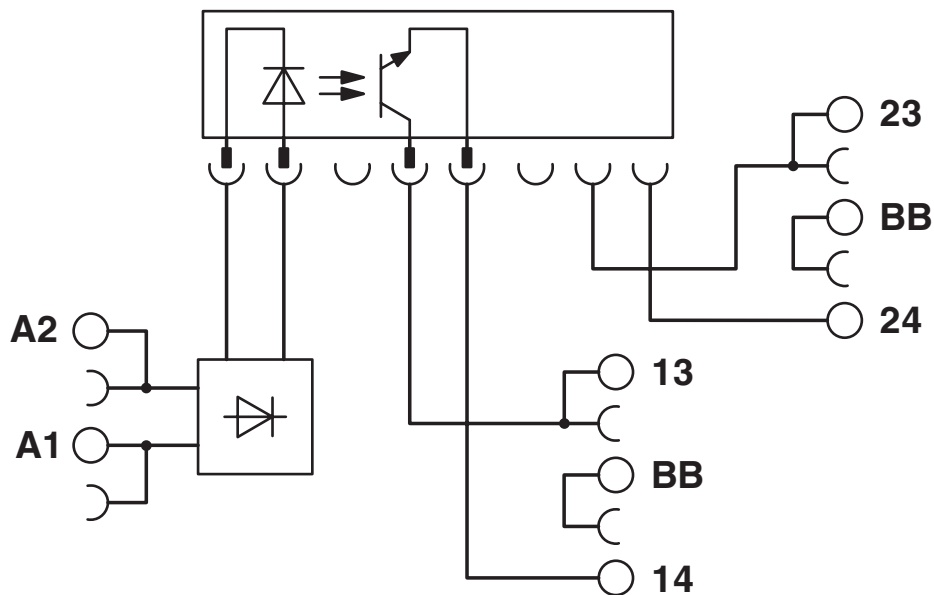
<https://www.phoenixcontact.com/us/products/2982786>

## Drawings

Diagram



Circuit diagram



# PLC-OSC- 24DC/ 24DC/ 5/ACT - Solid-state relay module



2982786

<https://www.phoenixcontact.com/us/products/2982786>

## Approvals

To download certificates, visit the product detail page: <https://www.phoenixcontact.com/us/products/2982786>



**cULus Listed**

Approval ID: E140324



**cULus Listed**

Approval ID: E140324



**cULus Listed**

Approval ID: E140324

**DNV**

Approval ID: TAE0000196

# PLC-OSC- 24DC/ 24DC/ 5/ACT - Solid-state relay module



2982786

<https://www.phoenixcontact.com/us/products/2982786>

## Classifications

### ECLASS

ECLASS-13.0	27371604
ECLASS-15.0	27371604

### ETIM

ETIM 10.0	EC001504
-----------	----------

### UNSPSC

UNSPSC 21.0	39122300
-------------	----------

# PLC-OSC- 24DC/ 24DC/ 5/ACT - Solid-state relay module



2982786

<https://www.phoenixcontact.com/us/products/2982786>

## Environmental product compliance

### EU RoHS

Fulfills EU RoHS substance requirements	Yes
Exemption	7(a), 7(c)-I

### China RoHS

Environment friendly use period (EFUP)	EFUP-50
	An article-related China RoHS declaration table can be found in the download area for the respective article under "Manufacturer declaration". For all articles with EFUP-E, no China RoHS declaration table issued and required.

### EU REACH SVHC

REACH candidate substance (CAS No.)	Hexahydromethylphthalic anhydride(CAS: n/a)
	Lead(CAS: 7439-92-1)
SCIP	665b7865-5c02-459d-abef-24945f53940f

### EF3.1 Climate Change

CO2e kg	1.395 kg CO2e
---------	---------------

Phoenix Contact 2026 © - all rights reserved  
<https://www.phoenixcontact.com>

Phoenix Contact USA  
586 Fulling Mill Road  
Middletown, PA 17057, United States  
(+717) 944-1300  
[info@phoenixcon.com](mailto:info@phoenixcon.com)