

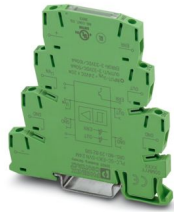
# PLC-SC-EIK 1-SVN 24M - Solid-state relay module



2982595

<https://www.phoenixcontact.com/us/products/2982595>

Please be informed that the data shown in this PDF document is generated from our online catalog. Please find the complete data in the user documentation. Our general terms of use for downloads are valid.



PLC-INTERFACE for NAMUR applications, consisting of PLC-BSC.../21 basic terminal block with screw connection and integrated circuit, for mounting on DIN rail NS 35/7,5, negative switching, 1 N/O contact, input voltage 24 V DC

## Your advantages

- Connection option for PLC-V8 adapter
- Stabilized supply voltage for the NAMUR proximity switch
- 24 V/50 mA digital output for directly connecting programmable logic controllers

## Commercial data

Item number	2982595
Packing unit	1 pc
Note	Made to order (non-returnable)
Sales key	C461
Product key	DK6215
GTIN	4046356094641
Weight per piece (including packing)	37.62 g
Weight per piece (excluding packing)	34.16 g
Customs tariff number	85364190
Country of origin	DE

# PLC-SC-EIK 1-SVN 24M - Solid-state relay module



2982595

<https://www.phoenixcontact.com/us/products/2982595>

## Technical data

### Product properties

Product type	Solid-state relay module
Product family	PLC-INTERFACE
Application	NAMUR proximity sensors
Operating mode	100% operating factor

Insulation characteristics: Air clearances and creepage distances between the power circuits

Insulation	Basic insulation
Overvoltage category	I
Pollution degree	2

Data management status

Date of last data management	15.09.2025
------------------------------	------------

### Electrical properties

Maximum power dissipation for nominal condition	0.34 W
---	--------

Air clearances and creepage distances between the power circuits

Rated insulation voltage	50 V DC
Rated surge voltage	0.4 kV

### Input data

Control circuit

Nominal input voltage $U_N$	8.2 V DC $\pm 10\%$
Protective circuit	Surge protection; Suppressor diode
Open-circuit voltage	8.2 V DC $\pm 10\%$
Switching point	$\geq 2.1$ mA (In conductive state) $\leq 1.2$ mA (In blocking state) 6.3 mA ... 10 mA (in the event of a short-circuit) 0 mA ... 0.35 mA (In the event of a wire break)
Switching hysteresis	approx. 0.2 mA
Internal resistance	approx. 1000 $\Omega$
Cable length	< 30 m

### Output data

Designation	Signal output
Contact switching type	1 N/O contact
Design of digital output	electronic
Output voltage range	3 V DC ... 33 V DC
Limiting continuous current	50 mA
Transmission frequency	approx. 350 Hz
Voltage drop at max. limiting continuous current	< 1.5 V

# PLC-SC-EIK 1-SVN 24M - Solid-state relay module



2982595

<https://www.phoenixcontact.com/us/products/2982595>

Status display	LED (green)
Error indication	Red LED
Protective circuit	Surge protection; Suppressor diode
Designation	Alarm output
Output nominal voltage	30 V DC
Output voltage range	3 V DC ... 33 V DC
Limiting continuous current	100 mA
Voltage drop at max. limiting continuous current	< 1.5 V
Error indication	Red LED
Protective circuit	Surge protection; Suppressor diode

## Connection data

Connection method	Screw connection
Stripping length	8 mm
Screw thread	M3
Conductor cross-section rigid	0.14 mm <sup>2</sup> ... 2.5 mm <sup>2</sup>
Conductor cross-section flexible	0.14 mm <sup>2</sup> ... 2.5 mm <sup>2</sup>
	0.2 mm <sup>2</sup> ... 2.5 mm <sup>2</sup> (Single ferrule)
	2x 0.5 mm <sup>2</sup> ... 1.5 mm <sup>2</sup> (TWIN ferrule)
Conductor cross-section AWG	26 ... 14
Tightening torque	0.6 Nm ... 0.8 Nm

## Dimensions

Width	6.2 mm
Height	80 mm
Depth	86 mm

## Material specifications

Color	green (RAL 6021)
Flammability rating according to UL 94 (Housing)	V0 (Housing)

## Environmental and real-life conditions

### Ambient conditions

Degree of protection	IP20
Ambient temperature (operation)	-25 °C ... 50 °C
Ambient temperature (storage/transport)	-40 °C ... 85 °C

## Standards and regulations

### Air clearances and creepage distances between the power circuits

Standards/regulations	IEC 60664
	EN 50178

## Mounting

Mounting type	DIN rail mounting
---------------	-------------------

# PLC-SC-EIK 1-SVN 24M - Solid-state relay module



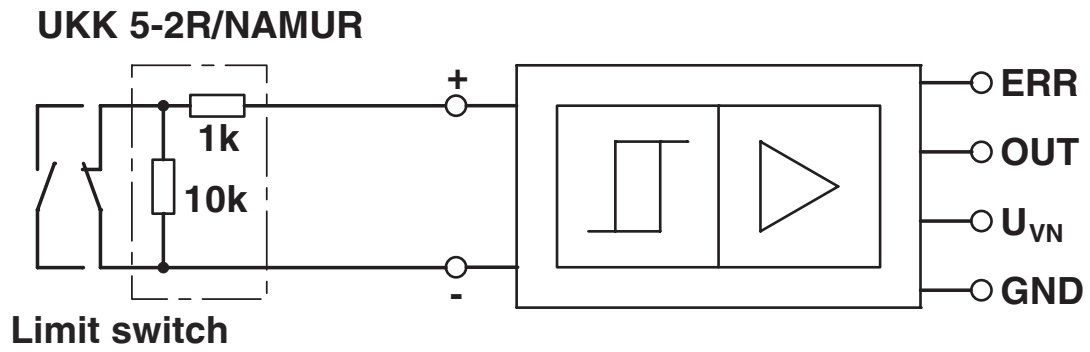
2982595

<https://www.phoenixcontact.com/us/products/2982595>

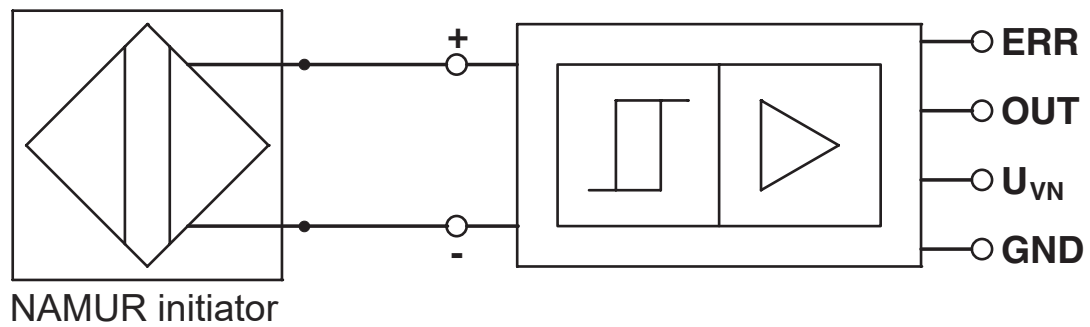
Assembly note	in rows with zero spacing
Mounting position	any

Drawings

Application drawing



Application drawing

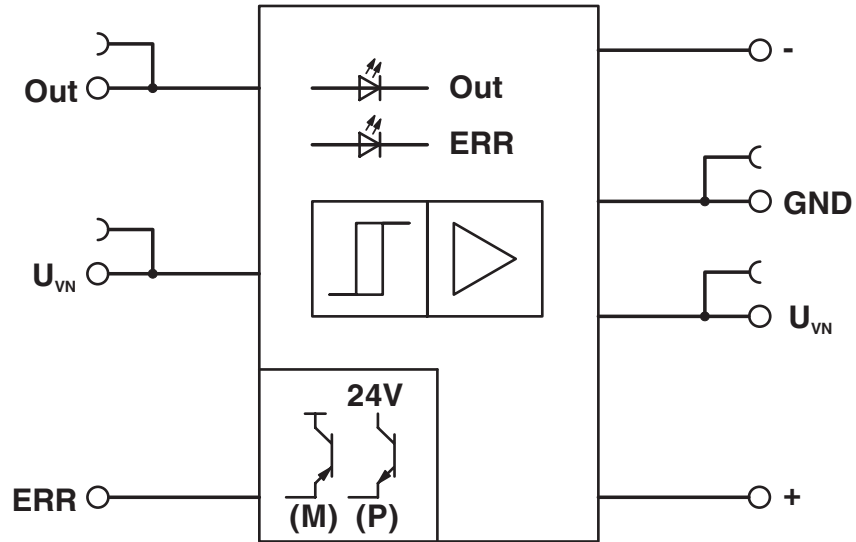


# PLC-SC-EIK 1-SVN 24M - Solid-state relay module

2982595

<https://www.phoenixcontact.com/us/products/2982595>

Circuit diagram



# PLC-SC-EIK 1-SVN 24M - Solid-state relay module



2982595

<https://www.phoenixcontact.com/us/products/2982595>

## Environmental product compliance

### China RoHS

Environment friendly use period (EFUP)	EFUP-50
	An article-related China RoHS declaration table can be found in the download area for the respective article under "Manufacturer declaration". For all articles with EFUP-E, no China RoHS declaration table issued and required.

### EU REACH SVHC

REACH candidate substance (CAS No.)	No substance above 0.1 wt%
-------------------------------------	----------------------------

Phoenix Contact 2026 © - all rights reserved  
<https://www.phoenixcontact.com>

Phoenix Contact USA  
586 Fulling Mill Road  
Middletown, PA 17057, United States  
(+717) 944-1300  
[info@phoenixcon.com](mailto:info@phoenixcon.com)