

# PLC-SC-ELR W1/ 2-24DC - Reversing load relay



2980539

<https://www.phoenixcontact.com/us/products/2980539>

Please be informed that the data shown in this PDF document is generated from our online catalog. Please find the complete data in the user documentation. Our general terms of use for downloads are valid.



PLC-INTERFACE as an electronic reversing load relay, consisting of PLC-BSC.../21 basic terminal block with screw connection and integrated circuit, for driving DC motors, with LED and protective circuit, output: 10 ... 30 V DC/2 A

## Your advantages

- Wear-free reversing
- Short-circuit, surge, and overload-proof output
- Screw or spring-cage connection
- Braking by controlling both inputs
- Integrated locking circuit and load wiring

## Commercial data

Item number	2980539
Packing unit	1 pc
Minimum order quantity	1 pc
Sales key	C476
Product key	DK7621
GTIN	4046356051309
Weight per piece (including packing)	59.9 g
Weight per piece (excluding packing)	46.9 g
Customs tariff number	85364190
Country of origin	DE

# PLC-SC-ELR W1/ 2-24DC - Reversing load relay



2980539

<https://www.phoenixcontact.com/us/products/2980539>

## Technical data

### Notes

#### Utilization restriction

EMC note	EMC: class A product, see manufacturer's declaration in the download area
----------	---

### Product properties

Product type	Solid-state contactor
Product family	PLC-INTERFACE
Operating mode	100% operating factor

#### Insulation characteristics: Air clearances and creepage distances between the power circuits

Insulation	Basic insulation
Overtoltage category	II
Pollution degree	2

### Electrical properties

Number of phases	1
------------------	---

#### Air clearances and creepage distances between the power circuits

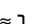
Rated insulation voltage	50 V
Rated surge voltage	0.5 kV

#### Supply

Input name	Device supply
Rated control circuit supply voltage $U_S$	24 V DC
Control supply voltage range	19.2 V DC ... 28.8 V DC

### Input data

#### Control

Input name	Control input right/left
Rated actuating voltage $U_C$	24 V DC
Triggering voltage range	19.2 V DC ... 28.8 V DC
Rated actuating current $I_C$	$\approx$  mA
Typical response time	200 $\mu$ s
Protective circuit	Reverse polarity protection Surge protection
Surge voltage protection	> 33 V DC
Transmission frequency	300 Hz
Switchover time $R_L/L_L$ (turn-on time)	80 ms

### Output data

#### DC output

# PLC-SC-ELR W1/ 2-24DC - Reversing load relay



2980539

<https://www.phoenixcontact.com/us/products/2980539>

Note	Protect the supply voltage at the output using a suitable fuse.
Rated operating voltage $U_e$	24 V DC
Operating voltage range	10 V DC ... 30 V DC
Rated operating current (Load output)	2 A
Load current	2 A
Quiescent current	10 mA
Protective circuit	Reverse polarity protection; Polarity protection diode (No continuous protection against polarity reversal)
	Surge protection
Surge voltage protection	> 33 V DC

## Motor switching output

Note	Short-circuit and overload protection
Continuous load current	2 A (see derating curve)
Short-circuit current	15 A (during braking)
Protective circuit	Surge protection
	RC element
Surge voltage protection	> 33 V DC

## Connection data

Connection method	Screw connection
Stripping length	8 mm
Screw thread	M3
Conductor cross-section rigid	0.14 mm <sup>2</sup> ... 2.5 mm <sup>2</sup>
Conductor cross-section flexible	0.14 mm <sup>2</sup> ... 2.5 mm <sup>2</sup>
	0.2 mm <sup>2</sup> ... 2.5 mm <sup>2</sup> (Single ferrule)
	2x 0.5 mm <sup>2</sup> ... 1.5 mm <sup>2</sup> (TWIN ferrule)
Conductor cross-section AWG	26 ... 14
Tightening torque	0.45 Nm ... 0.55 Nm (Usually these terminal blocks must be supported during conductor connection (held by one hand, supported on the housing))

## Signaling

Status display	LED (yellow)
Operating voltage display	Green LED

## Dimensions

Width	6.5 mm
Height	80 mm
Depth	94 mm

## Material specifications

Color	gray (RAL 7042)
Flammability rating according to UL 94	V0

## Environmental and real-life conditions

# PLC-SC-ELR W1/ 2-24DC - Reversing load relay



2980539

<https://www.phoenixcontact.com/us/products/2980539>

## Ambient conditions

Degree of protection	IP20
Ambient temperature (operation)	-25 °C ... 60 °C
Ambient temperature (storage/transport)	-40 °C ... 85 °C

## Approvals

### UKCA

Certificate	UKCA-compliant
-------------	----------------

### CE

Certificate	CE-compliant
-------------	--------------

### Corrosive gas test

Identification	ISA-S71.04. G3 Harsh Group
	EN 60068-2-60

## Standards and regulations

### Air clearances and creepage distances between the power circuits

Standards/regulations	IEC 60664
	EN 50178

## Mounting

Mounting type	DIN rail mounting
Assembly note	in rows with zero spacing
Mounting position	Vertical (horizontal DIN rail)

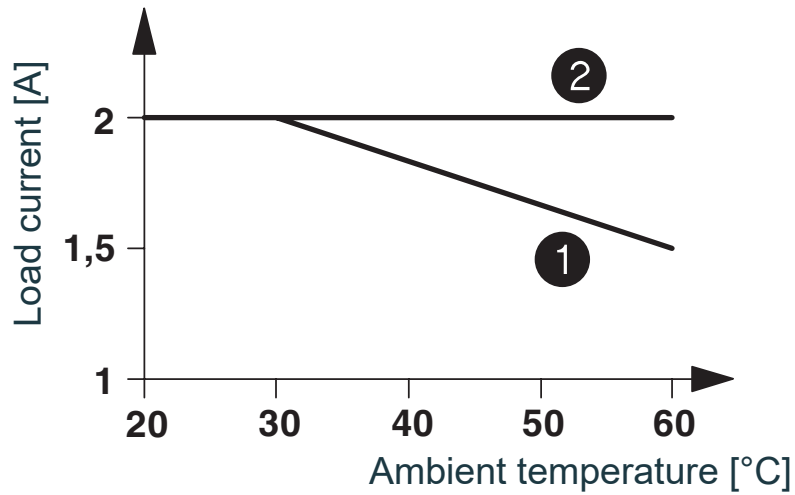


# PLC-SC-ELR W1/ 2-24DC - Reversing load relay

2980539

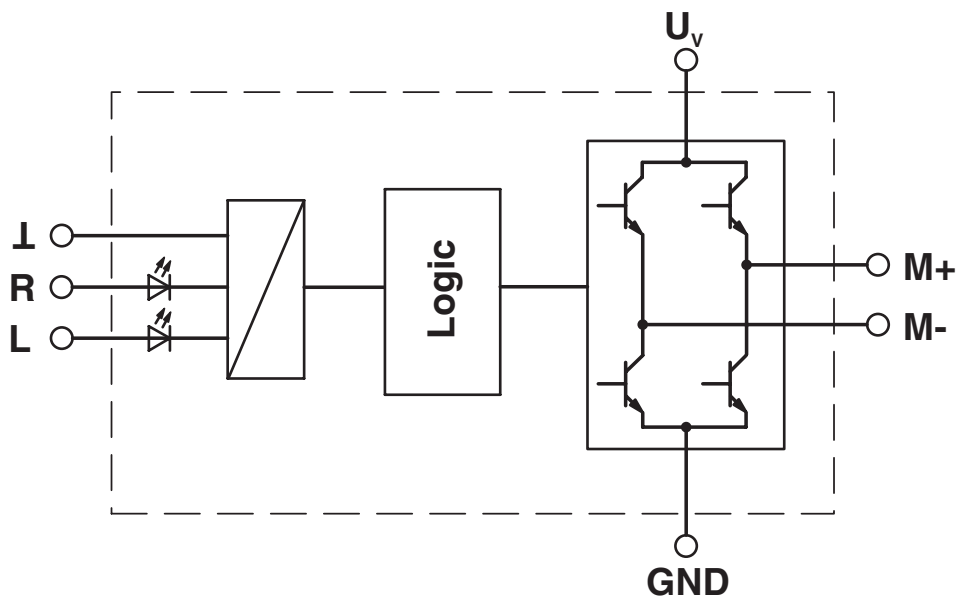
<https://www.phoenixcontact.com/us/products/2980539>

Diagram



- ① In rows with zero spacing
- ② stand-alone device

Circuit diagram



# PLC-SC-ELR W1/ 2-24DC - Reversing load relay



2980539

<https://www.phoenixcontact.com/us/products/2980539>

## Classifications

### ECLASS

ECLASS-13.0	27371018
ECLASS-15.0	27371018

### ETIM

ETIM 10.0	EC002552
-----------	----------

### UNSPSC

UNSPSC 21.0	39122300
-------------	----------

# PLC-SC-ELR W1/ 2-24DC - Reversing load relay



2980539

<https://www.phoenixcontact.com/us/products/2980539>

## Environmental product compliance

### EU RoHS

Fulfills EU RoHS substance requirements	Yes
Exemption	7(a), 7(c)-I

### China RoHS

Environment friendly use period (EFUP)	EFUP-50
	An article-related China RoHS declaration table can be found in the download area for the respective article under "Manufacturer declaration". For all articles with EFUP-E, no China RoHS declaration table issued and required.

### EU REACH SVHC

REACH candidate substance (CAS No.)	Lead(CAS: 7439-92-1)
SCIP	9ce093dc-a901-4bb3-8fd1-48daf6429986

Phoenix Contact 2026 © - all rights reserved

<https://www.phoenixcontact.com>

Phoenix Contact USA  
586 Fulling Mill Road  
Middletown, PA 17057, United States  
(+717) 944-1300  
[info@phoenixcon.com](mailto:info@phoenixcon.com)