

# PLC-BSC- 5DC/ 1/ACT - Relay base



2980241

<https://www.phoenixcontact.com/us/products/2980241>

Please be informed that the data shown in this PDF document is generated from our online catalog. Please find the complete data in the user documentation. Our general terms of use for downloads are valid.



6.2 mm PLC basic terminal block for output functions with screw connection, without relay or solid-state relay, for mounting on DIN rail NS 35/7,5, with load return line connection (BB), 1 N/O contact, input voltage 5 V DC

## Commercial data

Item number	2980241
Packing unit	1 pc
Note	Made to order (non-returnable)
Sales key	C461
Product key	DK6211
GTIN	4017918876722
Weight per piece (including packing)	34.89 g
Weight per piece (excluding packing)	28.35 g
Customs tariff number	85366990
Country of origin	DE

# PLC-BSC- 5DC/ 1/ACT - Relay base



2980241

<https://www.phoenixcontact.com/us/products/2980241>

## Technical data

### Product properties

Product type	Relay socket
Product family	PLC-INTERFACE
Application	Output function
Set comprises	2980144 PLC-OSC- 5DC/ 24DC/ 2/ACT
Operating mode	100% operating factor

### Insulation characteristics

Pollution degree	3
------------------	---

### Electrical properties

Protective circuit	Damping diode, polarity protection diode
--------------------	--

### Input data

Nominal input voltage $U_N$	5 V DC
Protective circuit	Freewheeling diode
Nominal input voltage $U_N$	5 V DC

### Connection data

Connection method	Screw connection
Stripping length	8 mm
Screw thread	M3
Conductor cross-section rigid	0.14 mm <sup>2</sup> ... 2.5 mm <sup>2</sup>
Conductor cross-section flexible	0.14 mm <sup>2</sup> ... 2.5 mm <sup>2</sup>
	0.2 mm <sup>2</sup> ... 2.5 mm <sup>2</sup> (Single ferrule)
	2x 0.5 mm <sup>2</sup> ... 1.5 mm <sup>2</sup> (TWIN ferrule)
Conductor cross-section AWG	26 ... 14
Tightening torque	0.6 Nm ... 0.8 Nm

### Signaling

Status display	LED
----------------	-----

### Dimensions

Width	6.2 mm
Height	80 mm
Depth	94 mm

### Material specifications

Color	gray (RAL 7042)
Flammability rating according to UL 94 (Housing)	V0 (Housing)

### Environmental and real-life conditions

# PLC-BSC- 5DC/ 1/ACT - Relay base



2980241

<https://www.phoenixcontact.com/us/products/2980241>

## Ambient conditions

Ambient temperature (operation)	-25 °C ... 60 °C
Ambient temperature (storage/transport)	-40 °C ... 85 °C

## Approvals

### CE

Certificate	CE-compliant
-------------	--------------

### UKCA

Certificate	UKCA-compliant
-------------	----------------

### Shipbuilding approval

Certificate	TAE0000196
-------------	------------

### Corrosive gas test

Identification	ISA-S71.04. G3 Harsh Group
	EN 60068-2-60

### Shipbuilding data

Temperature	D
Humidity	A
Vibration	B/C
EMC	B
Enclosure	Required protection according to the Rules shall be provided upon installation on board

## EMC data

Electromagnetic compatibility	Conformance with EMC directive
Low Voltage Directive	Conformance with Low Voltage Directive

## Mounting

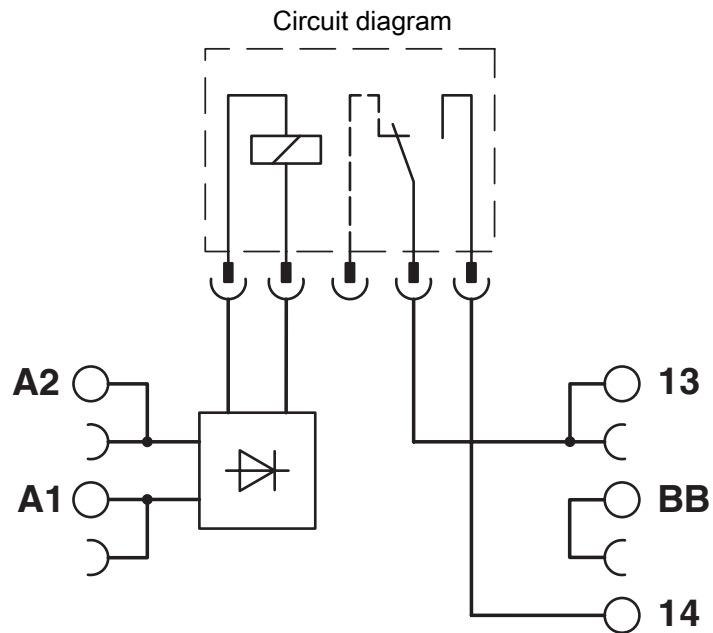
Mounting type	DIN rail mounting
Assembly note	in rows with zero spacing
Mounting position	any

# PLC-BSC- 5DC/ 1/ACT - Relay base

2980241

<https://www.phoenixcontact.com/us/products/2980241>

## Drawings



Circuit diagram



# PLC-BSC- 5DC/ 1/ACT - Relay base



2980241

<https://www.phoenixcontact.com/us/products/2980241>

## Classifications

### UNSPSC

UNSPSC 21.0	39122300
-------------	----------

2980241

<https://www.phoenixcontact.com/us/products/2980241>

## Environmental product compliance

### EU RoHS

Fulfills EU RoHS substance requirements	Yes
Exemption	7(a), 7(c)-I

### China RoHS

Environment friendly use period (EFUP)	EFUP-50
	An article-related China RoHS declaration table can be found in the download area for the respective article under "Manufacturer declaration". For all articles with EFUP-E, no China RoHS declaration table issued and required.

### EU REACH SVHC

REACH candidate substance (CAS No.)	Hexahydromethylphthalic anhydride(CAS: n/a)
	Lead(CAS: 7439-92-1)
SCIP	cfcf393a-8e9b-4212-bc29-b08ba6ac87ac

Phoenix Contact 2026 © - all rights reserved  
<https://www.phoenixcontact.com>

Phoenix Contact USA  
586 Fulling Mill Road  
Middletown, PA 17057, United States  
(+717) 944-1300  
[info@phoenixcon.com](mailto:info@phoenixcon.com)