

# PLC-BSC- 24DC/ 1IC/ACT - Relay base



2967837

<https://www.phoenixcontact.com/us/products/2967837>

Please be informed that the data shown in this PDF document is generated from our online catalog. Please find the complete data in the user documentation. Our general terms of use for downloads are valid.



14 mm PLC basic terminal block for high switch-on currents with screw connection, without relay or solid-state relay, for mounting on DIN rail NS 35/7,5, with load return line connection (BB), 1 N/O contact, input voltage 24 V DC

## Commercial data

Item number	2967837
Packing unit	10 pc
Minimum order quantity	10 pc
Sales key	C461
Product key	DK6231
GTIN	4017918174170
Weight per piece (including packing)	61.4 g
Weight per piece (excluding packing)	63.81 g
Customs tariff number	85366990
Country of origin	DE

## Technical data

### Notes

Notes on operation	Separating plate PLC-ATP must be installed for voltages larger than 250 V (L1, L2, L3) between identical terminal blocks in adjacent modules. Potential bridging is then carried out with FBST 8-PLC... or FBST 500....
Notes on operation	The PLC-ATP separating plate should be installed for safe isolation between adjacent modules
Assembly note	The PLC-ATP separating plate is required at the start and end of every PLC terminal strip.
Notes on operation	The system installer must ensure the touch protection of the product (at voltages > 25 V AC/60 V DC). The product is a built-in device without protection against direct contact.

### Utilization restriction

EMC note	EMC: class A product, see manufacturer's declaration in the download area
----------	---

### Product properties

Product type	Relay socket
Product family	PLC-INTERFACE
Application	high inrush currents
Operating mode	100% operating factor

### Insulation characteristics

Insulation	Safe isolation, reinforced insulation
Overvoltage category	III
Pollution degree	3

### Electrical properties

Test voltage relay winding/relay contact	4 kV <sub>rms</sub> (50 Hz, 1 min.)
Rated insulation voltage	250 V AC
Rated surge voltage	6 kV

### Input data

Nominal input voltage $U_N$	24 V DC
	The nominal voltage of the plug-on electromechanical relay or solid-state relay (see necessary accessories) deviates from the nominal input voltage of the base with integrated upstream circuit
Status display	LED (yellow)
Protective circuit	Freewheeling diode
	Polarity protection diode
Nominal input voltage $U_N$	24 V DC
	The nominal voltage of the plug-on electromechanical relay or solid-state relay (see necessary accessories) deviates from the nominal input voltage of the base with integrated upstream circuit

# PLC-BSC- 24DC/ 1IC/ACT - Relay base



2967837

<https://www.phoenixcontact.com/us/products/2967837>

## Connection data

Connection method	Screw connection
Stripping length	8 mm
Screw thread	M3
Conductor cross-section rigid	0.14 mm <sup>2</sup> ... 2.5 mm <sup>2</sup>
Conductor cross-section flexible	0.14 mm <sup>2</sup> ... 2.5 mm <sup>2</sup>
	0.2 mm <sup>2</sup> ... 2.5 mm <sup>2</sup> (Single ferrule)
	2x 0.5 mm <sup>2</sup> ... 1.5 mm <sup>2</sup> (TWIN ferrule)
Conductor cross-section AWG	26 ... 14
Tightening torque	0.6 Nm ... 0.8 Nm

## Dimensions

### Item dimensions

Width	14 mm
Height	80 mm
Depth	94 mm

## Material specifications

Color	gray (RAL 7042)
Flammability rating according to UL 94 (Housing)	V0 (Housing)

## Environmental and real-life conditions

### Ambient conditions

Degree of protection	IP20
Degree of protection (Installation location)	≥ IP54 (Installation location)
Ambient temperature (operation)	-40 °C ... 60 °C
Ambient temperature (storage/transport)	-40 °C ... 85 °C
Altitude	≤ 2000 m

## Approvals

### CE

Certificate	CE-compliant
-------------	--------------

### UKCA

Certificate	UKCA-compliant
-------------	----------------

### Shipbuilding approval

Certificate	TAE0000196
-------------	------------

### Corrosive gas test

Identification	ISA-S71.04. G3 Harsh Group
	EN 60068-2-60

### Shipbuilding data

# PLC-BSC- 24DC/ 1IC/ACT - Relay base



2967837

<https://www.phoenixcontact.com/us/products/2967837>

Temperature	D
Humidity	A
Vibration	B/C
EMC	B
Enclosure	Required protection according to the Rules shall be provided upon installation on board

## EMC data

Electromagnetic compatibility	Conformance with EMC directive
Low Voltage Directive	Conformance with Low Voltage Directive

## Standards and regulations

Standards/regulations	EN 50178
	EN 61810-1
	IEC/EN 60664-1

## Mounting

Mounting type	DIN rail mounting
Assembly note	in rows with zero spacing
Mounting position	any

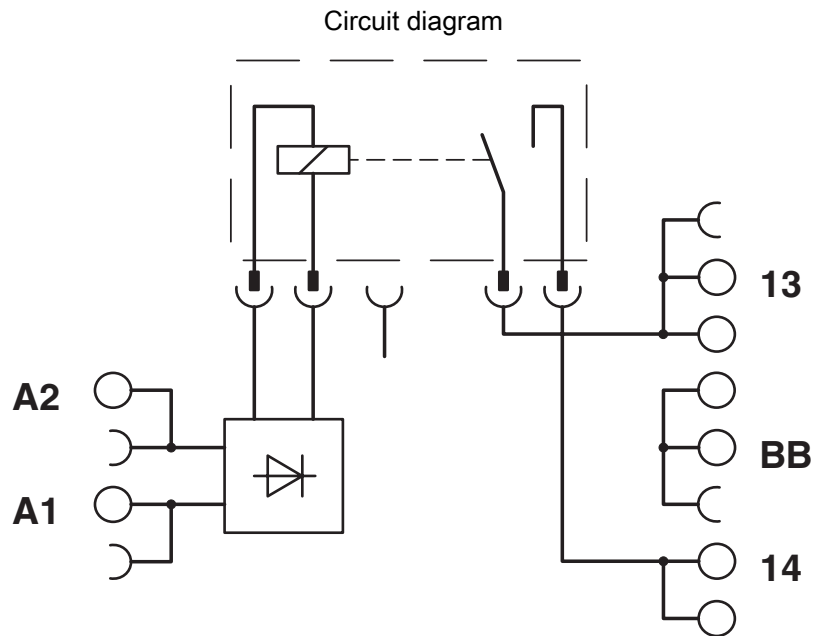
# PLC-BSC- 24DC/ 1IC/ACT - Relay base



2967837

<https://www.phoenixcontact.com/us/products/2967837>

## Drawings



# PLC-BSC- 24DC/ 1IC/ACT - Relay base



2967837

<https://www.phoenixcontact.com/us/products/2967837>

## Approvals

To download certificates, visit the product detail page: <https://www.phoenixcontact.com/us/products/2967837>



**cUL Recognized**  
Approval ID: E238705



**UL Recognized**  
Approval ID: E238705



**EAC**  
Approval ID: RU D-DE.B\*00573/18

**DNV**

Approval ID: TAE0000196

# PLC-BSC- 24DC/ 1IC/ACT - Relay base



2967837

<https://www.phoenixcontact.com/us/products/2967837>

## Classifications

### ECLASS

ECLASS-13.0	27371603
ECLASS-15.0	27371603

### ETIM

ETIM 10.0	EC001456
-----------	----------

### UNSPSC

UNSPSC 21.0	39122300
-------------	----------

2967837

<https://www.phoenixcontact.com/us/products/2967837>

## Environmental product compliance

### EU RoHS

Fulfills EU RoHS substance requirements	Yes
Exemption	7(a), 7(c)-I

### China RoHS

Environment friendly use period (EFUP)	EFUP-50
	An article-related China RoHS declaration table can be found in the download area for the respective article under "Manufacturer declaration". For all articles with EFUP-E, no China RoHS declaration table issued and required.

### EU REACH SVHC

REACH candidate substance (CAS No.)	Hexahydromethylphthalic anhydride(CAS: n/a)
	Lead(CAS: 7439-92-1)
SCIP	05e070b7-c2d6-498a-9e96-5e32699ab85d

### EF3.1 Climate Change

CO2e kg	0.7 kg CO2e
---------	-------------

Phoenix Contact 2026 © - all rights reserved  
<https://www.phoenixcontact.com>

Phoenix Contact USA  
586 Fulling Mill Road  
Middletown, PA 17057, United States  
(+717) 944-1300  
[info@phoenixcon.com](mailto:info@phoenixcon.com)