

PSR-SPP- 24UC/THC4/2X1/1X2 - Safety relays



2963983

<https://www.phoenixcontact.com/us/products/2963983>

Please be informed that the data shown in this PDF document is generated from our online catalog. Please find the complete data in the user documentation. Our general terms of use for downloads are valid.



Safety relay for two-hand control devices in accordance with ISO 13851 type IIIC to SIL 3 or Cat. 4, PL e in accordance with EN ISO 13849, synchronous activation monitoring < 0.5 s, 2 N/O contacts, 1 N/C contact, safe isolation, width: 22.5 mm, pluggable Push-in terminal block

The figure shows a version with a screw connection

Your advantages

- For two-hand controls in accordance with ISO 13851 type IIIC
- Up to Cat. 4/PL e in accordance with ISO 13849-1, SIL 3 in accordance with EN IEC 62061, SIL 3 in accordance with IEC 61508
- 2 channel control
- Synchronous activation monitoring < 0.5 s
- Automatic activation
- Two enabling and one signaling current path

Commercial data

Item number	2963983
Packing unit	1 pc
Minimum order quantity	1 pc
Sales key	DN01
Product key	DNA141
GTIN	4017918904807
Weight per piece (including packing)	184.3 g
Weight per piece (excluding packing)	160.32 g
Customs tariff number	85371098
Country of origin	DE

PSR-SPP- 24UC/THC4/2X1/1X2 - Safety relays



2963983

<https://www.phoenixcontact.com/us/products/2963983>

Technical data

Notes

Note on application

Note on application	Only for industrial use
---------------------	-------------------------

Product properties

Product type	Safety relays
Product family	PSRclassic
Application	Two-hand control Safety door
Mechanical service life	approx. 10^7 cycles
Relay type	Electromechanical relay with force-guided contacts in accordance with IEC/EN 61810-3

Insulation characteristics

Overvoltage category	II, III (See the section "Insulation coordination")
Degree of pollution	2

Times

Typical response time	50 ms (automatic start)
Typical release time	90 ms (on demand via the sensor circuit) 20 ms (on demand via A1)
Delay time	< 500 ms (fixed setting)
Restart time	< 1 s (Boot time, after switching on the supply voltage)
Recovery time	< 500 ms (following demand of the safety function)

Electrical properties

Maximum power dissipation for nominal condition	16.6 W ($U_S = 26.4$ V, $I_L^2 = 72$ A ² , $P_{Total\ max} = 2.2$ W + 14.4 W)
Nominal operating mode	100% operating factor
Rated insulation voltage	250 V
Rated surge voltage/insulation	6 kV / Safe isolation, increased insulation

Supply

Designation	A1/A2
Rated control circuit supply voltage U_S	24 V AC/DC -15 %; +10 %
Rated control supply current I_S	125 mA AC (at U_S) 60 mA DC (at U_S)
Power consumption at U_S	typ. 1.6 W
Apparent power	3.6 VA (at U_S)
Protective circuit	Serial protection against polarity reversal Surge protection Suppressor diode

Input data

PSR-SPP- 24UC/THC4/2X1/1X2 - Safety relays



2963983

<https://www.phoenixcontact.com/us/products/2963983>

Digital: Sensor circuit (S11, S21)

Description of the input	safety-related sensor inputs
Number of inputs	2
Input voltage range "0" signal	0 V DC ... 5 V DC
Input voltage range "1" signal	> 18.5 V
Input current range "0" signal	0 mA ... 2 mA
Filter time	No test pulses permitted
Concurrence	< 500 ms
Max. permissible overall conductor resistance	50 Ω
Protective circuit	Suppressor diode
Current consumption	< 100 mA (typ. with U _S)

Digital: Feedback circuit (Y1, Y2)

Description of the input	non-safety-related
Number of inputs	1
Input voltage range "1" signal	> 18.5 V
Filter time	No test pulses permitted
Max. permissible overall conductor resistance	50 Ω

Output data

Relay: Enabling current paths (13/14, 23/24)

Output description	2 N/O contacts each in series, safety-related, floating
Number of outputs	2
Contact switching type	2 enabling current paths
Contact material	AgSnO ₂
Switching voltage	min. 15 V AC/DC max. 250 V AC
Switching power	min. 100 mW
Inrush current	min. 10 mA max. 6 A
Switching capacity	6 A (DC13) 5 A (AC15)
Limiting continuous current	6 A (observe derating)
Sq. Total current	72 A ² (observe derating)
Switching frequency	max. 0.1 Hz
Mechanical service life	10x 10 ⁶ cycles
Output fuse	10 A gL/gG 4 A gL/gG (for low-demand applications)

Relay: Signaling current path (31/32)

Output description	2 N/C contacts parallel, non-safety-related, floating
Number of outputs	1
Contact switching type	1 signaling current path
Contact material	AgSnO ₂

PSR-SPP- 24UC/THC4/2X1/1X2 - Safety relays



2963983

<https://www.phoenixcontact.com/us/products/2963983>

Switching voltage	min. 15 V AC/DC
	max. 250 V AC
Switching power	min. 100 mW
Inrush current	min. 10 mA
	max. 5 A
Switching capacity	1.5 A (AC15)
	2 A (DC13)
Limiting continuous current	5 A
Sq. Total current	25 A ²
Switching frequency	max. 0.1 Hz
Mechanical service life	10x 10 ⁶ cycles
Output fuse	5 A gL/gG

Connection data

Connection technology

pluggable	yes
-----------	-----

Conductor connection

Connection method	Push-in connection
Conductor cross-section rigid	0.2 mm ² ... 1.5 mm ²
Conductor cross-section flexible	0.2 mm ² ... 1.5 mm ²
Conductor cross-section, flexible, with ferrule, with plastic sleeve	0.25 mm ² ... 1.5 mm ² (only together with CRIMPFOX 6)
Conductor cross-section, flexible, with ferrule, without plastic sleeve	0.25 mm ² ... 1.5 mm ² (only together with CRIMPFOX 6)
Conductor cross-section AWG	24 ... 16
Stripping length	8 mm

Signaling

Status display	2 x LED (green)
Operating voltage display	1 x green LED (PWR)

Dimensions

Width	22.5 mm
Height	112 mm
Depth	114.5 mm

Material specifications

Color (Housing)	yellow (RAL 1018)
Housing material	PA

Characteristics

Safety data

Stop category (EN 60204-1)	0
Type class	IIIC

PSR-SPP- 24UC/THC4/2X1/1X2 - Safety relays



2963983

<https://www.phoenixcontact.com/us/products/2963983>

Safety data: EN ISO 13849

Performance level (PL)	e
------------------------	---

Safety data: IEC 61508 - High demand

Safety Integrity Level (SIL)	3
------------------------------	---

Safety data: IEC 61508 - Low demand

Safety Integrity Level (SIL)	3
------------------------------	---

Safety data: EN IEC 62061

Safety Integrity Level (SIL)	3
------------------------------	---

Environmental and real-life conditions

Ambient conditions

Degree of protection	IP20
Min. degree of protection of inst. location	IP54
Ambient temperature (operation)	-20 °C ... 55 °C
Ambient temperature (storage/transport)	-40 °C ... 70 °C
Maximum altitude	≤ 2000 m (Above sea level)
Max. permissible humidity (storage/transport)	75 % (on average, 85% infrequently, non-condensing)
Max. permissible relative humidity (operation)	75 % (on average, 85% infrequently, non-condensing)
Shock	15g
Vibration (operation)	10 Hz ... 150 Hz, 2g

Approvals

Conformity/Approvals

Conformance	CE-compliant
-------------	--------------

Mounting

Mounting type	DIN rail mounting
Assembly note	See derating curve
Mounting position	vertical or horizontal

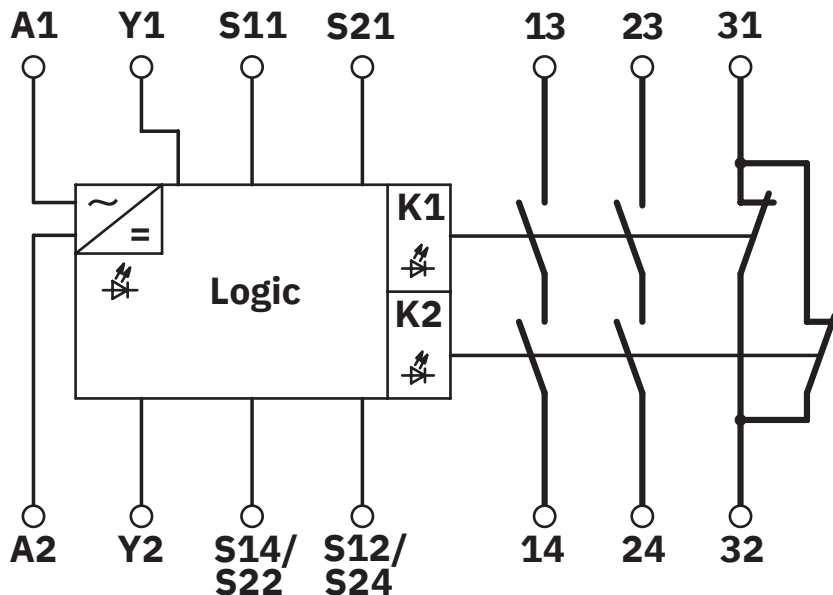
PSR-SPP- 24UC/THC4/2X1/1X2 - Safety relays

2963983

<https://www.phoenixcontact.com/us/products/2963983>

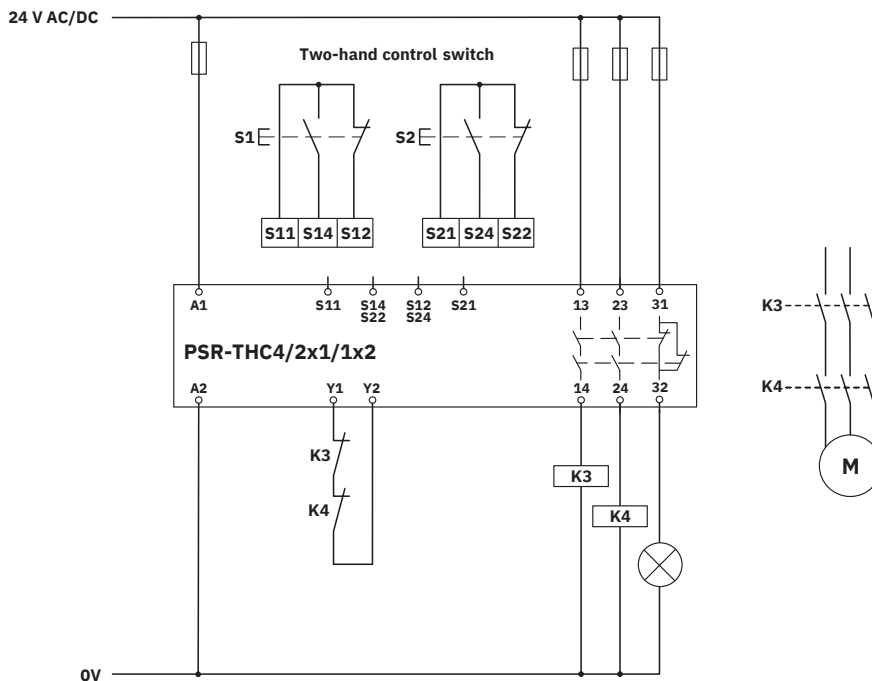
Drawings

Circuit diagram



Block diagram

Circuit diagram



Two-hand control device

PSR-SPP- 24UC/THC4/2X1/1X2 - Safety relays



2963983

<https://www.phoenixcontact.com/us/products/2963983>

Approvals

To download certificates, visit the product detail page: <https://www.phoenixcontact.com/us/products/2963983>



cULus Listed

Approval ID: E140324



Functional Safety

Approval ID: 01/205/0542.04/23

PSR-SPP- 24UC/THC4/2X1/1X2 - Safety relays



2963983

<https://www.phoenixcontact.com/us/products/2963983>

Classifications

ECLASS

ECLASS-13.0	27371821
ECLASS-15.0	27371821

ETIM

ETIM 10.0	EC001452
-----------	----------

UNSPSC

UNSPSC 21.0	39121100
-------------	----------

2963983

<https://www.phoenixcontact.com/us/products/2963983>

Environmental product compliance

EU RoHS

Fulfills EU RoHS substance requirements	Yes
Exemption	7(a), 7(c)-I

China RoHS

Environment friendly use period (EFUP)	EFUP-50
	An article-related China RoHS declaration table can be found in the download area for the respective article under "Manufacturer declaration". For all articles with EFUP-E, no China RoHS declaration table issued and required.

EU REACH SVHC

REACH candidate substance (CAS No.)	Lead(CAS: 7439-92-1)
SCIP	69f3e9ff-5be2-4853-a750-aa3bc711fa0d

EF3.1 Climate Change

CO2e kg	5.182 kg CO2e
---------	---------------

Phoenix Contact 2026 © - all rights reserved
<https://www.phoenixcontact.com>

Phoenix Contact USA
586 Fulling Mill Road
Middletown, PA 17057, United States
(+717) 944-1300
info@phoenixcon.com