

# EMG 45-SD-D/LA/SI/2A - Socket



2963899

<https://www.phoenixcontact.com/us/products/2963899>

Please be informed that the data shown in this PDF document is generated from our online catalog. Please find the complete data in the user documentation. Our general terms of use for downloads are valid.



Socket

## Commercial data

Item number	2963899
Packing unit	1 pc
Note	Made to order (non-returnable)
Sales key	BE76
Product key	BE7611
GTIN	4017918593308
Weight per piece (including packing)	108.4 g
Weight per piece (excluding packing)	108.4 g
Customs tariff number	85369010
Country of origin	DE

# EMG 45-SD-D/LA/SI/2A - Socket



2963899

<https://www.phoenixcontact.com/us/products/2963899>

## Technical data

### Product properties

Product type

Socket

### Signaling

Status display

Glow lamp or LED with preresistor

### Dimensions

Depth

65.2 mm

### Environmental and real-life conditions

#### Ambient conditions

Degree of protection

IP20

# EMG 45-SD-D/LA/SI/2A - Socket

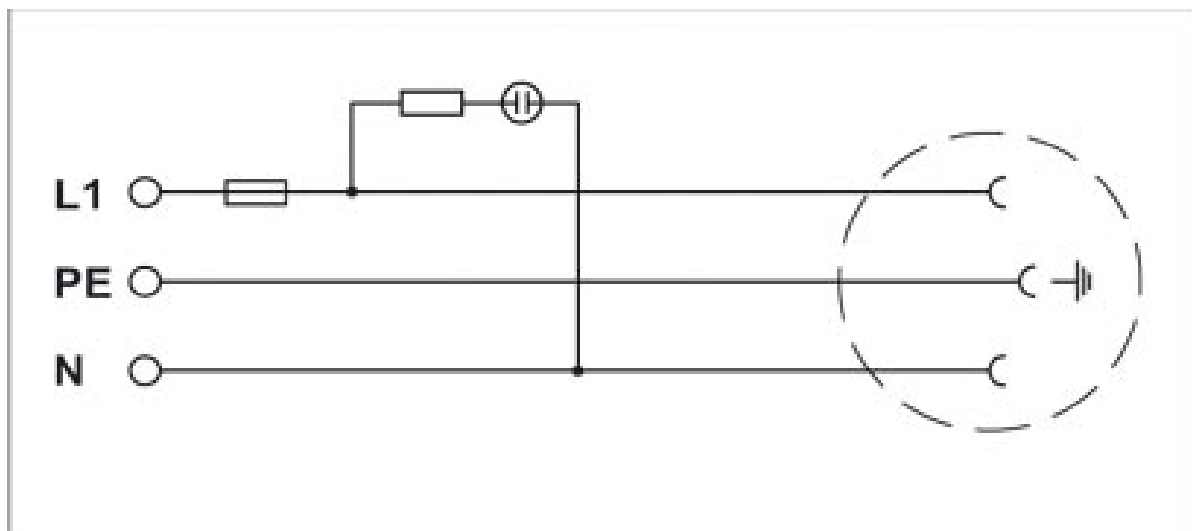
2963899

<https://www.phoenixcontact.com/us/products/2963899>



## Drawings

### Circuit diagram



# EMG 45-SD-D/LA/SI/2A - Socket



2963899

<https://www.phoenixcontact.com/us/products/2963899>

## Environmental product compliance

### EU RoHS

Fulfills EU RoHS substance requirements	Yes, No exemptions
---	--------------------

### China RoHS

Environment friendly use period (EFUP)	EFUP-E
	No hazardous substances above the limits

### EU REACH SVHC

REACH candidate substance (CAS No.)	No substance above 0.1 wt%
-------------------------------------	----------------------------

Phoenix Contact 2026 © - all rights reserved  
<https://www.phoenixcontact.com>

Phoenix Contact USA  
586 Fulling Mill Road  
Middletown, PA 17057, United States  
(+717) 944-1300  
[info@phoenixcon.com](mailto:info@phoenixcon.com)