

UEG-EU-SE - Lateral element

2956822

<https://www.phoenixcontact.com/us/products/2956822>

Please be informed that the data shown in this PDF document is generated from our online catalog. Please find the complete data in the user documentation. Our general terms of use for downloads are valid.

Side element, two pieces necessary, for closing the base element, 1.5 mm thick.



The figure shows a green version

Commercial data

Item number	2956822
Packing unit	5 pc
Minimum order quantity	5 pc
Sales key	AC11
Product key	ACHCCF
GTIN	4017918085964
Weight per piece (including packing)	38 g
Weight per piece (excluding packing)	38 g
Customs tariff number	85369010
Country of origin	DE

UEG-EU-SE - Lateral element

2956822

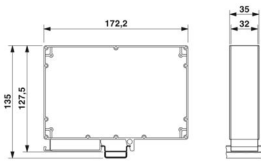
<https://www.phoenixcontact.com/us/products/2956822>

Technical data

Product properties

Product type	Panel mounting base side part
Housing type	Component housing
Housing series	UEG
Product family	UEG-EU

Dimensions

Dimensional drawing	
Width	1.5 mm
Installed height	127.5 mm
Depth	172 mm

Material specifications

Color (Housing)	green (RAL 6021)
Flammability rating according to UL 94	HB

UEG-EU-SE - Lateral element

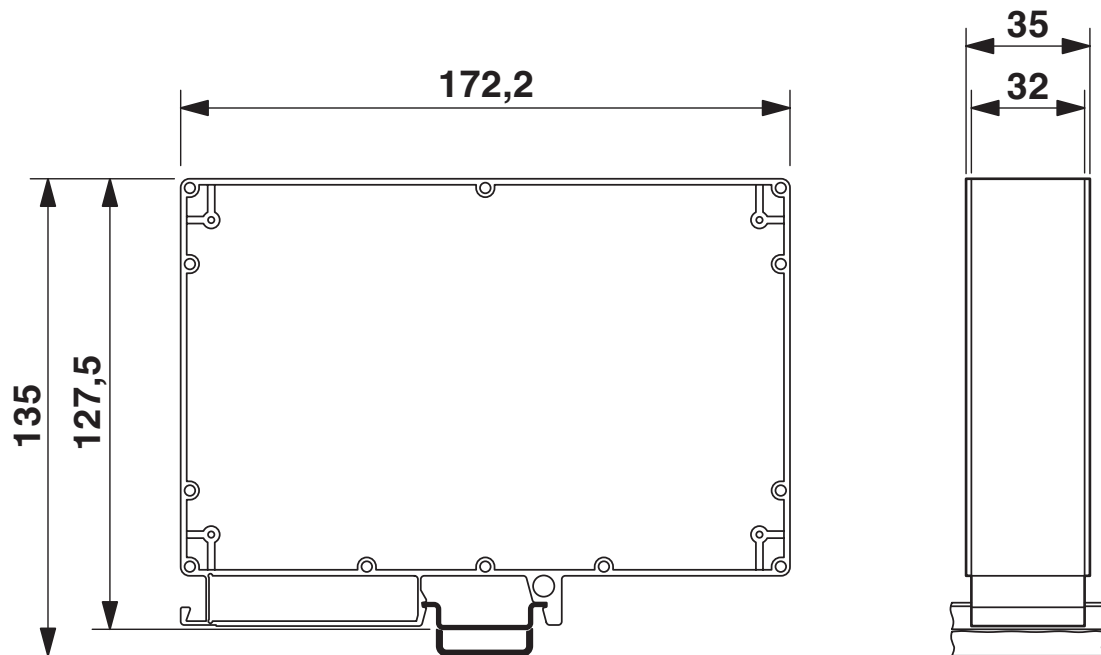
2956822

<https://www.phoenixcontact.com/us/products/2956822>



Drawings

Dimensional drawing



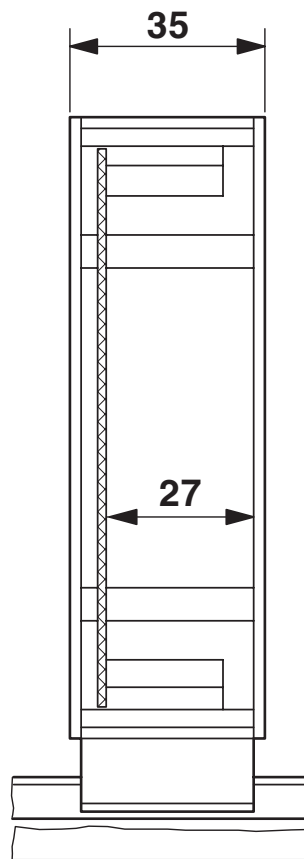
UEG-EU-SE - Lateral element

2956822

<https://www.phoenixcontact.com/us/products/2956822>



Dimensional drawing



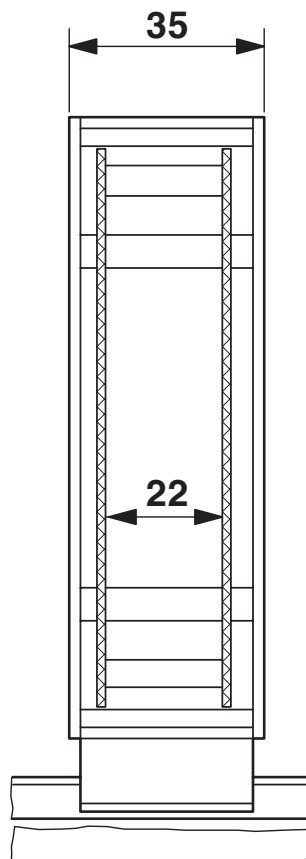
UEG-EU-SE - Lateral element

2956822

<https://www.phoenixcontact.com/us/products/2956822>



Dimensional drawing

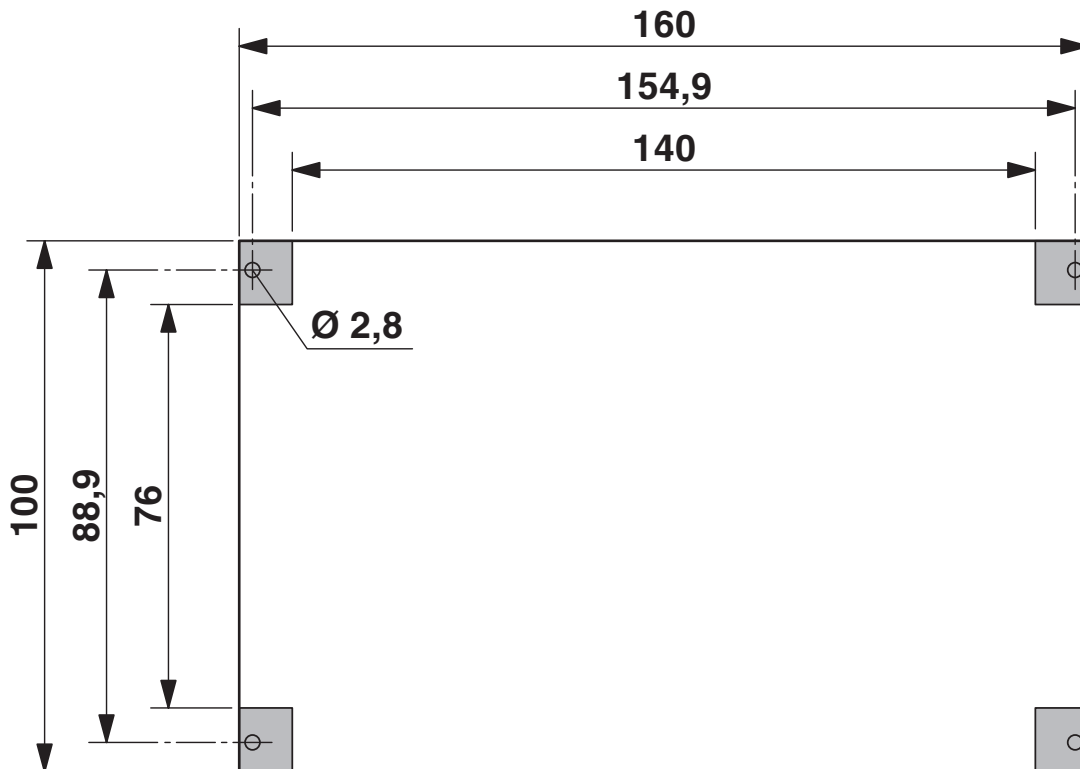


UEG-EU-SE - Lateral element

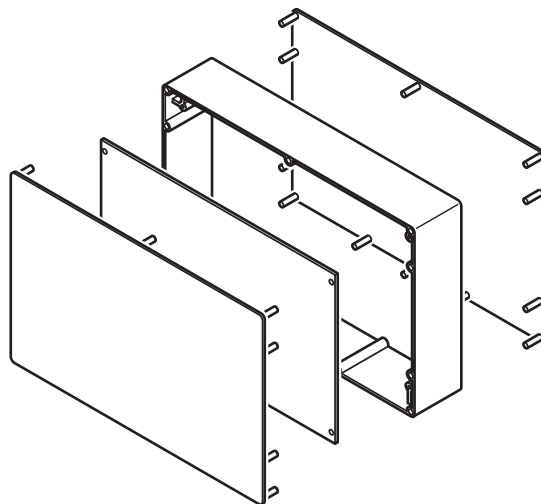
2956822

<https://www.phoenixcontact.com/us/products/2956822>

Dimensional drawing



Exploded view



UEG-EU-SE - Lateral element

2956822

<https://www.phoenixcontact.com/us/products/2956822>



Approvals

To download certificates, visit the product detail page: <https://www.phoenixcontact.com/us/products/2956822>



UL Recognized

Approval ID: E240868

UEG-EU-SE - Lateral element



2956822

<https://www.phoenixcontact.com/us/products/2956822>

Classifications

ECLASS

ECLASS-13.0	27190602
ECLASS-15.0	27190602

ETIM

ETIM 10.0	EC002779
-----------	----------

UNSPSC

UNSPSC 21.0	31261500
-------------	----------

UEG-EU-SE - Lateral element



2956822

<https://www.phoenixcontact.com/us/products/2956822>

Environmental product compliance

EU RoHS

Fulfills EU RoHS substance requirements	Yes, No exemptions
---	--------------------

China RoHS

Environment friendly use period (EFUP)	EFUP-E
	No hazardous substances above the limits

EU REACH SVHC

REACH candidate substance (CAS No.)	No substance above 0.1 wt%
-------------------------------------	----------------------------

Phoenix Contact 2026 © - all rights reserved
<https://www.phoenixcontact.com>

Phoenix Contact USA
586 Fulling Mill Road
Middletown, PA 17057, United States
(+717) 944-1300
info@phoenixcon.com