

PT 2X1-BE/FM - Surge protection base-element

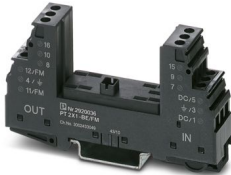


2920036

<https://www.phoenixcontact.com/us/products/2920036>

Please be informed that the data shown in this PDF document is generated from our online catalog. Please find the complete data in the user documentation. Our general terms of use for downloads are valid.

Base element to accept a protective plug with diagnostic and status indicator for two signal wires with common reference potential.



Your advantages

- Maximum ease of maintenance, thanks to the 2-piece design
- Easy selection for all possible demands in MCR applications with a complete product portfolio
- The signal is not influenced during maintenance work, thanks to the impedance-neutral insertion and removal of protective plugs
- Easy integration into the control room via floating remote indication contact

Commercial data

Item number	2920036
Packing unit	10 pc
Minimum order quantity	10 pc
Sales key	CL21
Product key	CL2112
GTIN	4046356154093
Weight per piece (including packing)	55 g
Weight per piece (excluding packing)	49.399 g
Customs tariff number	85366990
Country of origin	DE

PT 2X1-BE/FM - Surge protection base-element

2920036

<https://www.phoenixcontact.com/us/products/2920036>

Technical data

Notes

Notes on operation	When the PT ...-BE/FM base elements are used, the connections 9/10 (GND) are directly connected to the DIN rail via the metal mounting foot.
--------------------	---

Product properties

Product type	Base element
Product family	PLUGTRAB PT
Type	Base element, DIN rail mounting
Number of positions	2

Electrical properties

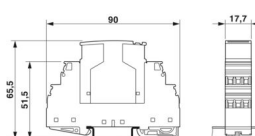
Indicator/remote signaling

Maximum operating voltage $U_{max. AC}$	250 V AC
Max. operating current I_{max}	0.2 A (250 V AC)
	0.2 A (220 V DC)
	1 A (60 V AC)
	1 A (60 V DC)

Connection data

Connection method	Screw connection
Screw thread	M3
Tightening torque	0.8 Nm
Conductor cross-section flexible	0.2 mm ² ... 2.5 mm ²
Conductor cross-section rigid	0.2 mm ² ... 4 mm ²
Conductor cross-section AWG	24 ... 12

Dimensions

Dimensional drawing	
Width	17.5 mm
Height	90 mm
Depth	51.7 mm
Horizontal pitch	1 Div.
Complete module width	17.7 mm
Complete module height	90 mm
Complete module depth	65.5 mm

PT 2X1-BE/FM - Surge protection base-element



2920036

<https://www.phoenixcontact.com/us/products/2920036>

Material specifications

Color	black (RAL 9005)
Flammability rating according to UL 94	V-0

Mechanical properties

Mechanical data

Open side panel	No
-----------------	----

Protective circuit

Direction of action	Shield-Earth Ground
---------------------	---------------------

Environmental and real-life conditions

Ambient conditions

Degree of protection	IP20
Ambient temperature (operation)	40 °C ... 85 °C

Mounting

Mounting type	DIN rail: 35 mm
---------------	-----------------

PT 2X1-BE/FM - Surge protection base-element

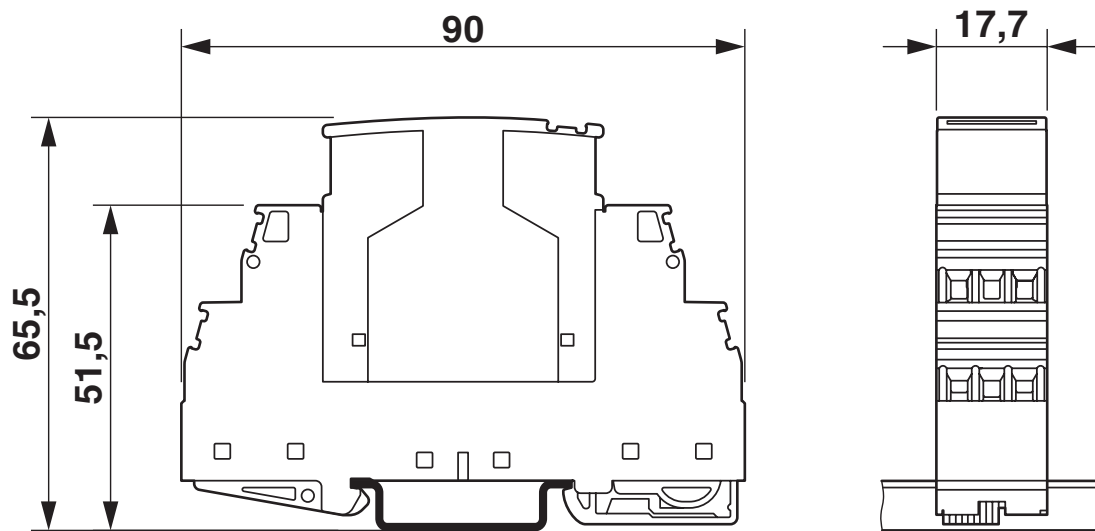
2920036

<https://www.phoenixcontact.com/us/products/2920036>



Drawings

Dimensional drawing



The figure shows the complete module consisting of a base element and connector

PT 2X1-BE/FM - Surge protection base-element



2920036

<https://www.phoenixcontact.com/us/products/2920036>

Approvals

To download certificates, visit the product detail page: <https://www.phoenixcontact.com/us/products/2920036>



DNV GL

Approval ID: TAE00001N6



UL Listed

Approval ID: FILE E 138168

PT 2X1-BE/FM - Surge protection base-element



2920036

<https://www.phoenixcontact.com/us/products/2920036>

Classifications

ECLASS

ECLASS-13.0	27171501
ECLASS-15.0	27171501

ETIM

ETIM 10.0	EC001466
-----------	----------

UNSPSC

UNSPSC 21.0	39121600
-------------	----------

PT 2X1-BE/FM - Surge protection base-element



2920036

<https://www.phoenixcontact.com/us/products/2920036>

Environmental product compliance

EU RoHS

Fulfills EU RoHS substance requirements	Yes, No exemptions
---	--------------------

China RoHS

Environment friendly use period (EFUP)	EFUP-E
	No hazardous substances above the limits

EU REACH SVHC

REACH candidate substance (CAS No.)	No substance above 0.1 wt%
-------------------------------------	----------------------------

Phoenix Contact 2026 © - all rights reserved
<https://www.phoenixcontact.com>

Phoenix Contact USA
586 Fulling Mill Road
Middletown, PA 17057, United States
(+717) 944-1300
info@phoenixcon.com