

# PLC-BSP- 24DC/ 1IC/ACT - Relay base



2912400

<https://www.phoenixcontact.com/us/products/2912400>

Please be informed that the data shown in this PDF document is generated from our online catalog. Please find the complete data in the user documentation. Our general terms of use for downloads are valid.



14 mm PLC basic terminal block for high switch-on currents with spring-cage connection, without relay or solid-state relay, for mounting on DIN rail NS 35/7,5, with load return line connection (BB), 1 N/O contact, input voltage 24 V DC

## Commercial data

Item number	2912400
Packing unit	1 pc
Note	Made to order (non-returnable)
Sales key	C461
Product key	DK6221
GTIN	4046356050814
Weight per piece (including packing)	50.08 g
Weight per piece (excluding packing)	48.33 g
Customs tariff number	85366990
Country of origin	DE

# PLC-BSP- 24DC/ 1IC/ACT - Relay base



2912400

<https://www.phoenixcontact.com/us/products/2912400>

## Technical data

### Notes

#### Utilization restriction

EMC note	EMC: class A product, see manufacturer's declaration in the download area
----------	---

### Product properties

Product type	Relay socket
Product family	PLC-INTERFACE
Application	high inrush currents
Set comprises	2912413 PLC-RSP- 24DC/ 1IC/ACT
Operating mode	100% operating factor
Compatible components	Miniature relay, REL-MR-24DC/1IC/ACT; miniature optocoupler, OPT-24DC/24DC/5, OPT-24DC/230AC/2

### Electrical properties

Protective circuit	Damping diode, polarity protection diode
--------------------	--

### Input data

Nominal input voltage $U_N$	24 V DC
Protective circuit	Freewheeling diode
Nominal input voltage $U_N$	24 V DC

### Output data

Compatible components	Miniature relay, REL-MR-24DC/1IC/ACT; miniature optocoupler, OPT-24DC/24DC/5, OPT-24DC/230AC/2
-----------------------	--

### Connection data

#### Input side

Connection method	Spring-cage connection
Stripping length	8 mm
Conductor cross-section rigid	0.14 mm <sup>2</sup> ... 2.5 mm <sup>2</sup>
Conductor cross-section flexible	0.14 mm <sup>2</sup> ... 2.5 mm <sup>2</sup>
Conductor cross-section AWG	26 ... 14

#### Output side

Connection method	Spring-cage connection
Stripping length	8 mm
Conductor cross-section rigid	0.14 mm <sup>2</sup> ... 2.5 mm <sup>2</sup>
Conductor cross-section flexible	0.14 mm <sup>2</sup> ... 2.5 mm <sup>2</sup>
Conductor cross-section AWG	26 ... 14

### Signaling

# PLC-BSP- 24DC/ 1IC/ACT - Relay base



2912400

<https://www.phoenixcontact.com/us/products/2912400>

Status display	LED
----------------	-----

## Dimensions

Width	14 mm
Height	80 mm
Depth	94 mm

## Material specifications

Flammability rating according to UL 94 (Housing)	V0 (Housing)
--	--------------

## Environmental and real-life conditions

### Ambient conditions

Ambient temperature (operation)	-40 °C ... 60 °C
Ambient temperature (storage/transport)	-40 °C ... 85 °C

## Mounting

Mounting type	DIN rail mounting
Assembly note	in rows with zero spacing
Mounting position	any

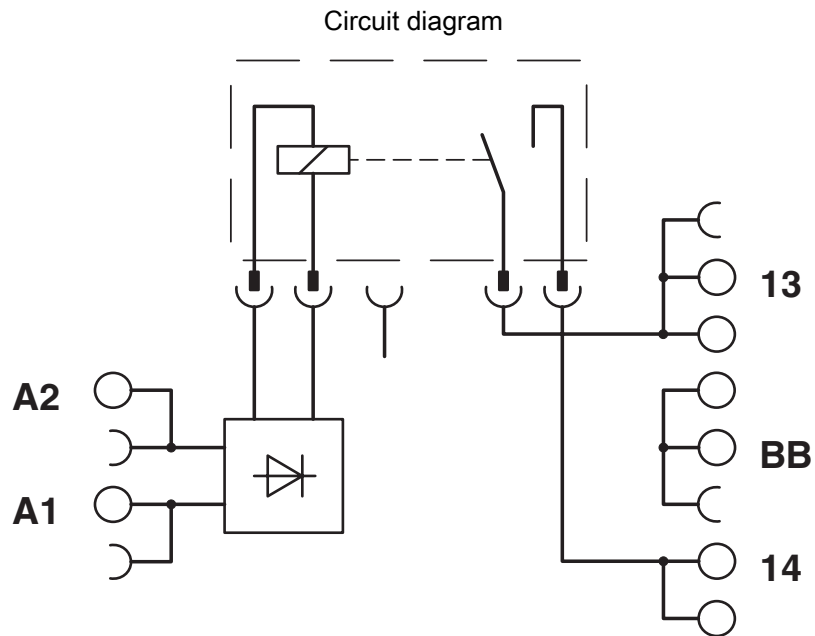
# PLC-BSP- 24DC/ 1IC/ACT - Relay base



2912400

<https://www.phoenixcontact.com/us/products/2912400>

## Drawings



Phoenix Contact 2026 © - all rights reserved  
<https://www.phoenixcontact.com>

Phoenix Contact USA  
586 Fulling Mill Road  
Middletown, PA 17057, United States  
(+717) 944-1300  
[info@phoenixcon.com](mailto:info@phoenixcon.com)