

VAL-US-120/40/1+0-FM - Surge protection device



2910348

<https://www.phoenixcontact.com/us/products/2910348>

Please be informed that the data shown in this PDF document is generated from our online catalog. Please find the complete data in the user documentation. Our general terms of use for downloads are valid.

Surge protective device, UL Listed type 1 and IEC type 2, single channel with remote indicator contact for 120 V AC



Commercial data

| | |
|--------------------------------------|---------------|
| Item number | 2910348 |
| Packing unit | 1 pc |
| Minimum order quantity | 1 pc |
| Sales key | CL17 |
| Product key | CL132U |
| GTIN | 4055626444895 |
| Weight per piece (including packing) | 135 g |
| Weight per piece (excluding packing) | 135 g |
| Customs tariff number | 85363030 |
| Country of origin | DE |

Technical data

Product properties

| | |
|--------------------------------|--|
| Product type | Surge protection for NEMA power supply units |
| Product family | VALVETRAB US |
| IEC test classification | II |
| | T2 |
| EN type | T2 |
| IEC power supply system | TN-C |
| Type | DIN rail module, two-section, divisible |
| Number of positions | 1 |
| Surge protection fault message | Optical, remote indicator contact |
| Number of ports | One |

Insulation characteristics

| | |
|----------------------|-----|
| Overvoltage category | III |
| Pollution degree | 2 |

Electrical properties

| | |
|-------------------------|---------------|
| Nominal frequency f_N | 50 Hz (60 Hz) |
|-------------------------|---------------|

Indicator/remote signaling

| | |
|--------------------|--------------------------------|
| Connection name | Remote fault indicator contact |
| Switching function | Changeover contact |
| Operating voltage | 5 V AC ... 250 V AC |
| | 30 V DC |
| Operating current | 5 mA AC ... 1.5 A AC |
| | 1 A DC |

Connection data

| | |
|----------------------------------|--|
| Connection method | Screw connection |
| Screw thread | M5 |
| Tightening torque | 4.5 Nm (1.5 mm ² ... 16 mm ²) |
| | 4.5 Nm (25 mm ² ... 35 mm ²) |
| Stripping length | 16 mm |
| Conductor cross-section flexible | 1.5 mm ² ... 25 mm ² |
| Conductor cross-section rigid | 1.5 mm ² ... 35 mm ² |
| Conductor cross-section AWG | 15 ... 2 |

Remote fault indicator contact

| | |
|----------------------------------|--|
| Connection method | Screw connection |
| Screw thread | M2 |
| Tightening torque | 0.25 Nm |
| Stripping length | 7 mm |
| Conductor cross-section flexible | 0.14 mm ² ... 1.5 mm ² |

VAL-US-120/40/1+0-FM - Surge protection device

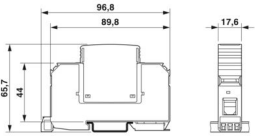


2910348

<https://www.phoenixcontact.com/us/products/2910348>

| | |
|-------------------------------|--|
| Conductor cross-section rigid | 0.14 mm ² ... 1.5 mm ² |
| Conductor cross-section AWG | 28 ... 16 |

Dimensions

| | |
|---------------------|--|
| Dimensional drawing |  |
| Width | 17.6 mm |
| Height | 96.8 mm |
| Depth | 65.7 mm (incl. DIN rail 7.5 mm) |
| Horizontal pitch | 1 Div. |

Material specifications

| | |
|--|------------------|
| Color | black (RAL 9005) |
| Flammability rating according to UL 94 | V-0 |
| CTI value of material | 600 |
| Insulating material | PA 6.6/PBT |
| Material group | I |
| Housing material | PA 6.6 PBT |

Mechanical properties

Mechanical data

| | |
|-----------------|----|
| Open side panel | No |
|-----------------|----|

Protective circuit

| | |
|--|---|
| Mode of protection | L-PEN |
| Direction of action | 1L-GND |
| Nominal voltage U_N | 120 V AC (TN-C) |
| Nominal frequency f_N | 50 Hz (60 Hz) |
| Maximum continuous operating voltage U_C | 175 V AC |
| Rated load current I_L | 80 A |
| Protective conductor current I_{PE} | ≤ 0.45 mA |
| Nominal discharge current I_n (8/20) μ s | 20 kA |
| Maximum discharge current I_{max} (8/20) μ s | 40 kA |
| Short-circuit current rating I_{SCCR} | 25 kA |
| Voltage protection level U_p | ≤ 0.9 kV |
| Residual voltage U_{res} | ≤ 0.9 kV (at I_n) ≤ 0.75 kV (at 10 kA) ≤ 0.6 kV (at 5 kA) ≤ 0.55 kV (at 3 kA) |
| TOV behavior at U_T | 208 V AC (5 s / withstand mode) |

VAL-US-120/40/1+0-FM - Surge protection device



2910348

<https://www.phoenixcontact.com/us/products/2910348>

| | |
|---|--|
| | 240 V AC (120 min / safe failure mode) |
| Response time t_A | ≤ 25 ns |
| Max. backup fuse with V-type through wiring | 80 A (gG) |
| Max. backup fuse with branch wiring | 125 A (gG) |

Environmental and real-life conditions

Ambient conditions

| | |
|---|---|
| Degree of protection | IP20 (only when all terminal points are used) |
| Ambient temperature (operation) | -40 °C ... 80 °C |
| Ambient temperature (storage/transport) | -40 °C ... 80 °C |
| Altitude | ≤ 2000 m (amsl) |
| Permissible humidity (operation) | 5 % ... 95 % |
| Shock (operation) | 25g (Half-sine / 11 ms / 3x ±X, ±Y, ±Z) |
| Vibration (operation) | 5g (10 ... 500 Hz / 2.5 h / X, Y, Z) |

Approvals

UL specifications

| | |
|---|-------------------------|
| Maximum continuous operating voltage MCOV | 175 V AC |
| Short-circuit current rating (SCCR) | 200 kA |
| Voltage protection rating VPR | 700 V |
| UL type | type 1 |
| Nominal discharge current I_n | 20 kA |
| Maximum Surge Current per Phase | 40 kA |
| Mode of protection | L-N |
| Nominal voltage | 120 V AC (Single-phase) |
| Power distribution system | Single phase |
| Nominal frequency | 50/60 Hz |
| SPD Type | 1 |

UL indicator/remote signaling

| | |
|----------------------|----------|
| Operating voltage | 125 V AC |
| AC operating current | 1 A AC |

UL connection data

| | |
|-----------------------------|-------------------------|
| Tightening torque | 30 lb _F -in. |
| Conductor cross-section AWG | 14 ... 2 |

Standards and regulations

Air clearances and creepage distances

| | |
|--------------------------|--------------------------|
| Standards/regulations | EN 60664-1 / EN 61643-11 |
| Standards/specifications | IEC 61643-11 |
| Note | 2011 |
| Standards/specifications | EN 61643-11 |
| Note | 2012 |

VAL-US-120/40/1+0-FM - Surge protection device



2910348

<https://www.phoenixcontact.com/us/products/2910348>

Mounting

| | |
|---------------|-----------------|
| Mounting type | DIN rail: 35 mm |
|---------------|-----------------|

VAL-US-120/40/1+0-FM - Surge protection device

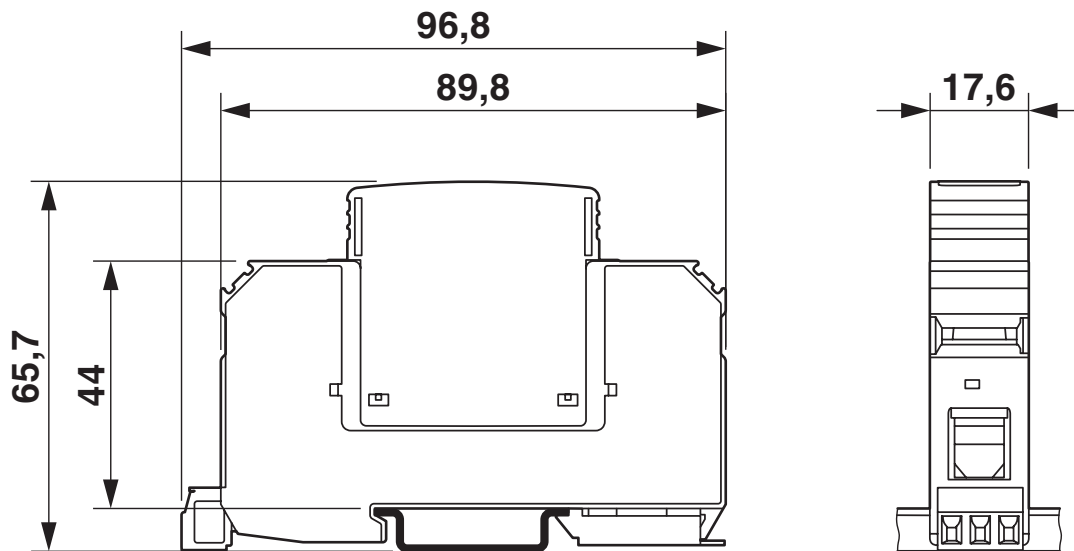


2910348

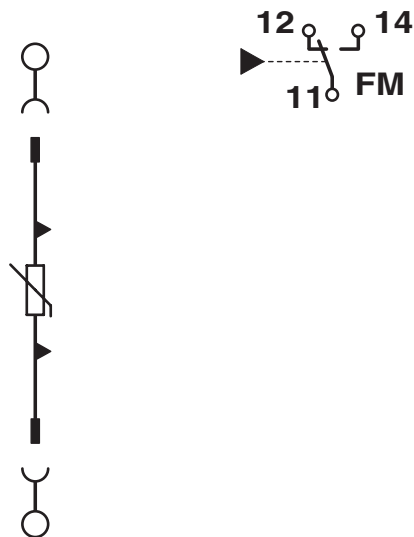
<https://www.phoenixcontact.com/us/products/2910348>

Drawings

Dimensional drawing



Circuit diagram



VAL-US-120/40/1+0-FM - Surge protection device



2910348

<https://www.phoenixcontact.com/us/products/2910348>

Approvals

To download certificates, visit the product detail page: <https://www.phoenixcontact.com/us/products/2910348>



UL Listed

Approval ID: FILE E 330181



cUL Listed

Approval ID: FILE E 330181

VAL-US-120/40/1+0-FM - Surge protection device



2910348

<https://www.phoenixcontact.com/us/products/2910348>

Classifications

ECLASS

| | |
|-------------|----------|
| ECLASS-13.0 | 27171202 |
| ECLASS-15.0 | 27171202 |

ETIM

| | |
|-----------|----------|
| ETIM 10.0 | EC000941 |
|-----------|----------|

UNSPSC

| | |
|-------------|----------|
| UNSPSC 21.0 | 39121600 |
|-------------|----------|

VAL-US-120/40/1+0-FM - Surge protection device



2910348

<https://www.phoenixcontact.com/us/products/2910348>

Environmental product compliance

EU RoHS

| | |
|---|--------------------|
| Fulfills EU RoHS substance requirements | Yes, No exemptions |
|---|--------------------|

China RoHS

| | |
|--|--|
| Environment friendly use period (EFUP) | EFUP-E |
| | No hazardous substances above the limits |

EU REACH SVHC

| | |
|-------------------------------------|----------------------------|
| REACH candidate substance (CAS No.) | No substance above 0.1 wt% |
|-------------------------------------|----------------------------|

Phoenix Contact 2026 © - all rights reserved
<https://www.phoenixcontact.com>

Phoenix Contact USA
586 Fulling Mill Road
Middletown, PA 17057, United States
(+717) 944-1300
info@phoenixcon.com