

VIP-3/PT/FLK50/AN/2P/S7-1500 - Passive module



2908499

<https://www.phoenixcontact.com/us/products/2908499>

Please be informed that the data shown in this PDF document is generated from our online catalog. Please find the complete data in the user documentation. Our general terms of use for downloads are valid.



VARIOFACE COMPACT LINE interface module for Siemens S7-1500 systems with S7-1500 specific labeling, with push-in connection, external power distribution connections, module width: 128.2 mm

Your advantages

- Single 50-pin FLK header
- Printed channel markings
- Three-level, screw terminal field connections
- External power distribution connections

Commercial data

Item number	2908499
Packing unit	1 pc
Minimum order quantity	1 pc
Sales key	C423
Product key	DK212S
GTIN	4055626363516
Weight per piece (including packing)	314.3 g
Weight per piece (excluding packing)	314.3 g
Customs tariff number	85366990
Country of origin	US

VIP-3/PT/FLK50/AN/2P/S7-1500 - Passive module



2908499

<https://www.phoenixcontact.com/us/products/2908499>

Technical data

Product properties

Product type	Interface module
Product family	VARIOFACE Professional
Number of positions	50
No. of channels	8

Electrical properties

Max. permissible operating voltage	25 V AC
	60 V DC
Max. current carrying capacity per branch	1 A
Max. total current of voltage supply	7 A

Supported controller: SIEMENS S7-1500

Suitable I/O card	6ES7531-7KF00-0AB0
	6ES7531-7LH00-0AB0
	6ES7531-7MH00-0AB0
	6ES7531-7NF00-0AB0
	6ES7531-7NF10-0AB0
	6ES7531-7PF00-0AB0
	6ES7532-5HF00-0AB0
	6ES7531-7QF00-0AB0
	6ES7550-1AA01-0AB0
	6ES7551-1AB01-0AB0
	6ES7552-1AA00-0AB0
	6ES7553-1AA00-0AB0

Connection data

Field level

Connection method	Push-in connection
Stripping length	8 mm
Conductor cross-section rigid	0.14 mm ² ... 2.5 mm ²
Conductor cross-section flexible	0.14 mm ² ... 2.5 mm ²
Conductor cross-section AWG	26 ... 14

Controller level

Connection method	IDC/FLK pin strip
Number of connections	1
Number of positions	50
Pitch	2.54 mm

Signaling

Status display	no
----------------	----

2908499

<https://www.phoenixcontact.com/us/products/2908499>

Status display present	no
------------------------	----

Dimensions

Item dimensions

Width	128.2 mm
Height	75.8 mm
Depth	63 mm

Material specifications

Color	gray (RAL 7042)
Flammability rating according to UL 94	V0
Housing insulation material	Polyamide PA non-reinforced

Environmental and real-life conditions

Ambient conditions

Ambient temperature (operation)	-20 °C ... 60 °C
Ambient temperature (storage/transport)	-20 °C ... 70 °C

Standards and regulations

Standards/regulations	IEC 60664
	DIN EN 50178

Mounting

Mounting type	DIN rail mounting
Mounting position	any

Notes

Notes on operation	For proper use, the specifications of the installation directive (see Downloads) must be observed. For applications or use with third-party products, the specifications, and the safety and warning instructions of the respective third-party manufacturer must also be met.
--------------------	--------------------------------------------------------------------------------------------------------------------------------------------------------------------------------------------------------------------------------------------------------------------------------

VIP-3/PT/FLK50/AN/2P/S7-1500 - Passive module

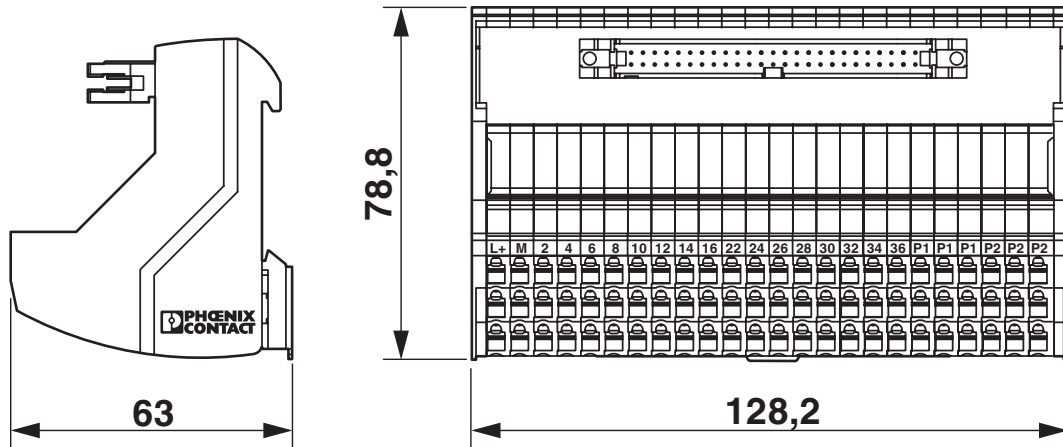


2908499

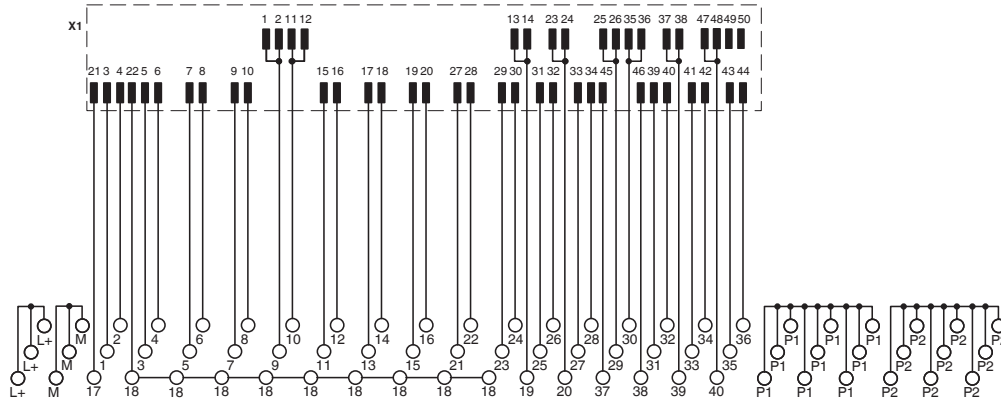
<https://www.phoenixcontact.com/us/products/2908499>

Drawings

Dimensional drawing



Circuit diagram



VIP-3/PT/FLK50/AN/2P/S7-1500 - Passive module





2908499


<https://www.phoenixcontact.com/us/products/2908499>


Approvals

To download certificates, visit the product detail page: <https://www.phoenixcontact.com/us/products/2908499>

 CSA Approval ID: 2122203				
	Nominal voltage U_N	Nominal current I_N	Cross section AWG	Cross section mm^2
keine				
	60 V	7 A	26 - 14	-
per branch	60 V	1 A	26 - 14	-

 cUL Recognized Approval ID: E238705				
	Nominal voltage U_N	Nominal current I_N	Cross section AWG	Cross section mm^2
keine				
	60 V	7 A	26 - 14	-
per branch	60 V	1 A	26 - 14	-

 UL Recognized Approval ID: E238705				
	Nominal voltage U_N	Nominal current I_N	Cross section AWG	Cross section mm^2
keine				
	60 V	7 A	26 - 14	-
per branch	60 V	1 A	26 - 14	-

 CSAus Approval ID: 2122203				
	Nominal voltage U_N	Nominal current I_N	Cross section AWG	Cross section mm^2
keine				
	60 V	7 A	26 - 14	-
per branch	60 V	1 A	26 - 14	-

VIP-3/PT/FLK50/AN/2P/S7-1500 - Passive module



2908499

<https://www.phoenixcontact.com/us/products/2908499>

Classifications

ECLASS

ECLASS-13.0	27141152
ECLASS-15.0	27141152

ETIM

ETIM 10.0	EC002780
-----------	----------

UNSPSC

UNSPSC 21.0	39121400
-------------	----------

2908499

<https://www.phoenixcontact.com/us/products/2908499>

Environmental product compliance

EU RoHS

Fulfills EU RoHS substance requirements	Yes, No exemptions
-----------------------------------------	--------------------

China RoHS

Environment friendly use period (EFUP)	EFUP-50
	An article-related China RoHS declaration table can be found in the download area for the respective article under "Manufacturer declaration". For all articles with EFUP-E, no China RoHS declaration table issued and required.

EU REACH SVHC

REACH candidate substance (CAS No.)	No substance above 0.1 wt%
-------------------------------------	----------------------------

Phoenix Contact 2026 © - all rights reserved
<https://www.phoenixcontact.com>

Phoenix Contact USA
586 Fulling Mill Road
Middletown, PA 17057, United States
(+717) 944-1300
info@phoenixcon.com