

# VIP-3/SC/2FLK14/AN/2P/S7-1500A - Passive module



2908464

<https://www.phoenixcontact.com/us/products/2908464>

Please be informed that the data shown in this PDF document is generated from our online catalog. Please find the complete data in the user documentation. Our general terms of use for downloads are valid.



VARIOFACE COMPACT LINE interface module for Siemens S7-1500 systems with S7-1500 specific labeling, for channels 1-16, with screw connection, module width: 82.5 mm

## Your advantages

- Two 14-pin FLK headers
- Printed channel markings
- Three-level, screw terminal field connections

## Commercial data

Item number	2908464
Packing unit	1 pc
Minimum order quantity	1 pc
Sales key	C423
Product key	DK211S
GTIN	4055626357676
Weight per piece (including packing)	214.1 g
Weight per piece (excluding packing)	214.1 g
Customs tariff number	85366990
Country of origin	US

# VIP-3/SC/2FLK14/AN/2P/S7-1500A - Passive module



2908464

<https://www.phoenixcontact.com/us/products/2908464>

## Technical data

### Product properties

Product type	Interface module
Product family	VARIOFACE Professional
Number of positions	14
No. of channels	4

### Electrical properties

Operating voltage (AC)	≤ 25 V AC
Operating voltage (DC)	≤ 60 V DC
Current (per branch)	≤ 1 A
Current ()	≤ 7 A

Supported controller: SIEMENS S7-1500

Suitable I/O card	6ES7531-7KF00-0AB0
	6ES7531-7LH00-0AB0
	6ES7531-7MH00-0AB0
	6ES7531-7NF00-0AB0
	6ES7531-7NF10-0AB0
	6ES7531-7PF00-0AB0
	6ES7532-5HF00-0AB0
	6ES7532-5HD00-0AB0
	6ES7532-5ND00-0AB0
	6ES7531-7QF00-0AB0
	6ES7550-1AA01-0AB0
	6ES7551-1AB01-0AB0
	6ES7552-1AA00-0AB0
	6ES7553-1AA00-0AB0

### Connection data

#### Field level

Connection method	Screw connection
Stripping length	8 mm
Screw thread	M 3
Conductor cross-section rigid	0.2 mm <sup>2</sup> ... 4 mm <sup>2</sup>
Conductor cross-section flexible	0.2 mm <sup>2</sup> ... 2.5 mm <sup>2</sup>
Conductor cross-section AWG	24 ... 12

#### Controller level

Connection method	IDC/FLK pin strip
Number of connections	2
Number of positions	14
Pitch	2.54 mm

2908464

<https://www.phoenixcontact.com/us/products/2908464>

## Signaling

Status display	no
Status display present	no

## Dimensions

### Item dimensions

Width	82.5 mm
Height	68.8 mm
Depth	60.7 mm

## Material specifications

Color	gray (RAL 7042)
Housing insulation material	Polyamide PA non-reinforced

## Environmental and real-life conditions

### Ambient conditions

Ambient temperature (operation)	-20 °C ... 60 °C
Ambient temperature (storage/transport)	-20 °C ... 70 °C

## Standards and regulations

Standards/regulations	IEC 60664
	DIN EN 50178

## Mounting

Mounting type	DIN rail mounting
Mounting position	any

## Notes

Notes on operation	For proper use, the specifications of the installation directive (see Downloads) must be observed. For applications or use with third-party products, the specifications, and the safety and warning instructions of the respective third-party manufacturer must also be met.
--------------------	--

# VIP-3/SC/2FLK14/AN/2P/S7-1500A - Passive module

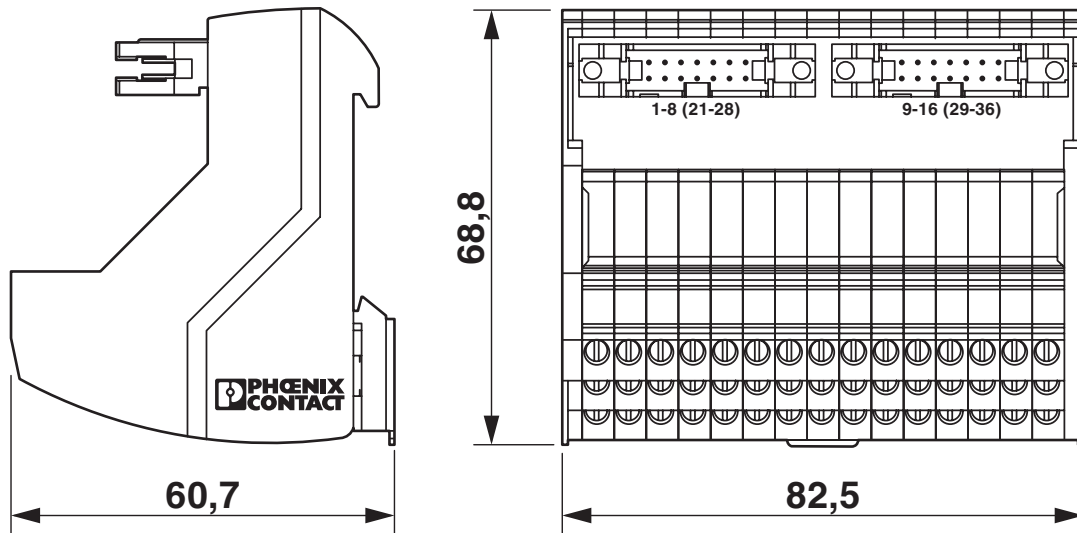


2908464

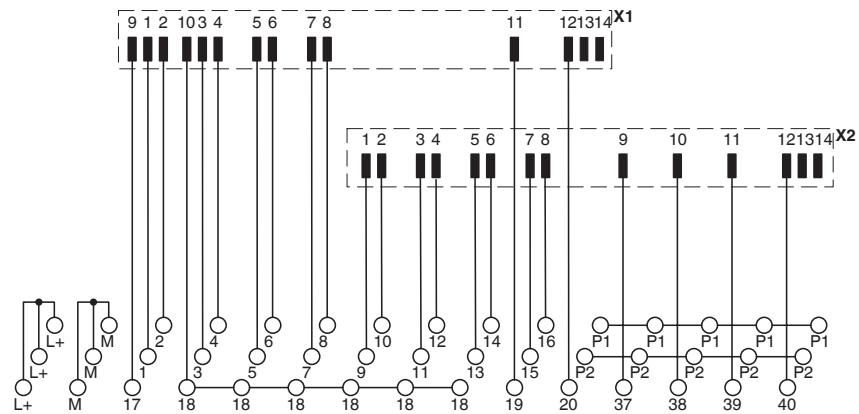
<https://www.phoenixcontact.com/us/products/2908464>

## Drawings

Dimensional drawing



Circuit diagram



# VIP-3/SC/2FLK14/AN/2P/S7-1500A - Passive module





2908464


<https://www.phoenixcontact.com/us/products/2908464>


## Approvals

To download certificates, visit the product detail page: <https://www.phoenixcontact.com/us/products/2908464>

 <b>CSA</b> Approval ID: 2122203				
	Nominal voltage $U_N$	Nominal current $I_N$	Cross section AWG	Cross section $mm^2$
keine				
	60 V	7 A	30 - 12	-
per branch	60 V	1 A	30 - 12	-

 <b>cUL Recognized</b> Approval ID: E238705				
	Nominal voltage $U_N$	Nominal current $I_N$	Cross section AWG	Cross section $mm^2$
keine				
	60 V	7 A	30 - 12	-
per branch	60 V	1 A	30 - 12	-

 <b>UL Recognized</b> Approval ID: E238705				
	Nominal voltage $U_N$	Nominal current $I_N$	Cross section AWG	Cross section $mm^2$
keine				
	60 V	7 A	30 - 12	-
per branch	60 V	1 A	30 - 12	-

 <b>CSAus</b> Approval ID: 2122203				
	Nominal voltage $U_N$	Nominal current $I_N$	Cross section AWG	Cross section $mm^2$
keine				
	60 V	7 A	30 - 12	-
per branch	60 V	1 A	30 - 12	-

2908464

<https://www.phoenixcontact.com/us/products/2908464>

## Classifications

### ECLASS

ECLASS-13.0	27141152
ECLASS-15.0	27141152

### ETIM

ETIM 10.0	EC002780
-----------	----------

### UNSPSC

UNSPSC 21.0	39121400
-------------	----------

# VIP-3/SC/2FLK14/AN/2P/S7-1500A - Passive module



2908464

<https://www.phoenixcontact.com/us/products/2908464>

## Environmental product compliance

### EU RoHS

Fulfills EU RoHS substance requirements	Yes, No exemptions
---	--------------------

### China RoHS

Environment friendly use period (EFUP)	EFUP-E
	No hazardous substances above the limits

### EU REACH SVHC

REACH candidate substance (CAS No.)	No substance above 0.1 wt%
-------------------------------------	----------------------------

Phoenix Contact 2026 © - all rights reserved  
<https://www.phoenixcontact.com>

Phoenix Contact USA  
586 Fulling Mill Road  
Middletown, PA 17057, United States  
(+717) 944-1300  
[info@phoenixcon.com](mailto:info@phoenixcon.com)