

UPS-BAT/LI-ION/24DC/924WH - Battery module



2908232

<https://www.phoenixcontact.com/us/products/2908232>

Please be informed that the data shown in this PDF document is generated from our online catalog. Please find the complete data in the user documentation. Our general terms of use for downloads are valid.



Battery module, LI-ION technology, 24 V DC, 924 Wh, for ambient temperatures of -25 °C ... 60 °C, automatic detection and communication with QUINT UPS-IQ

Product description

For continuous monitoring and intelligent management, there is constant communication with the QUINT UPS. Thanks to automatic detection of the battery module and switching during operation, quick installation is possible. The battery modules for QUINT UPS with IQ technology leave the warehouse fully charged.

Your advantages

- Long service life with long buffer times
- Quick installation, thanks to automatic detection of the energy storage and tool-free replacement during operation
- Maximum availability, thanks to constant communication with the QUINT UPS for continuous monitoring and intelligent management
- Immediate availability, all battery modules leave our warehouse fully charged

Commercial data

Item number	2908232
Packing unit	1 pc
Sales key	CM24
Product key	CMUEL3
GTIN	4055626293165
Weight per piece (including packing)	14,635 g
Weight per piece (excluding packing)	14,635 g
Customs tariff number	85076000
Country of origin	CN

UPS-BAT/LI-ION/24DC/924WH - Battery module



2908232

<https://www.phoenixcontact.com/us/products/2908232>

Technical data

Input data

Input voltage	24 V DC
Buffer period	105 min (20 A (20 °C))
	50 min (40 A (20 °C))

Output data

Nominal output voltage	24 V DC
Output fuse	2x 25 A ATOF 32V (breaking capacity 1000 A)
Connection in parallel	3
	3
Connection in series	no

Energy storage

End-of-charge voltage	28.5 V DC (20 °C)
Charging current	15 A
Nominal capacity	924 Wh
Battery module service life	15 Years (20 °C)
Service life	15 Years (20 °C)
Latest startup date (battery only)	24 Months (0 °C ... 20 °C)
	18 Months (20 °C ... 40 °C)
Battery technology	Lithium-Ion (LiFePO ₄)
Memory medium	LI-ION, 924 Wh
Accumulator type	NEC ALM 12V35s
Size designation	Block
Battery pack	yes
IQ technology	Yes
Temperature sensor	yes
Suitable for fast charging	yes

Product properties

Product type	Battery module
Product family	Battery module (device with battery)
Disposal	Used batteries must not be thrown away with household waste, they should instead be disposed of in accordance with applicable national regulations.
IQ technology	Yes

Insulation characteristics

Protection class	III
Degree of pollution	2

Dimensions

Width	264 mm
-------	--------

UPS-BAT/LI-ION/24DC/924WH - Battery module



2908232

<https://www.phoenixcontact.com/us/products/2908232>

Height	224 mm
Depth	197 mm

Installation dimensions

Installation distance right/left	0 mm / 0 mm
Installation distance top/bottom	50 mm / 50 mm

Environmental and real-life conditions

Ambient conditions

Degree of protection	IP20
Ambient temperature (operation)	-25 °C ... 58 °C
Ambient temperature (storage/transport)	-40 °C ... 65 °C
Max. permissible relative humidity (operation)	≤ 95 %

Ex data

Suited for EX-applications	no
----------------------------	----

UPS-BAT/LI-ION/24DC/924WH - Battery module

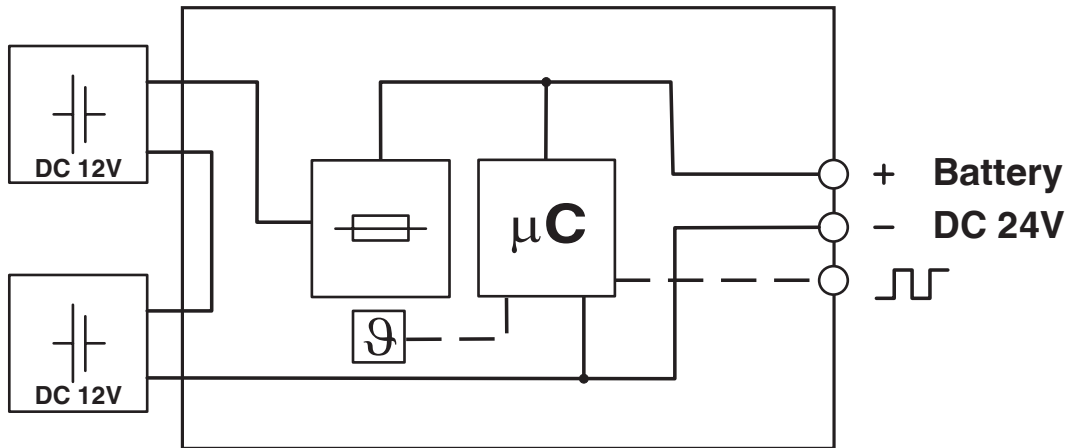


2908232

<https://www.phoenixcontact.com/us/products/2908232>

Drawings

Block diagram



UPS-BAT/LI-ION/24DC/924WH - Battery module



2908232

<https://www.phoenixcontact.com/us/products/2908232>

Classifications

UNSPSC

UNSPSC 21.0	26111700
-------------	----------

2908232

<https://www.phoenixcontact.com/us/products/2908232>

Environmental product compliance

EU RoHS

Fulfills EU RoHS substance requirements	Yes
Exemption	7(a), 7(c)-I

China RoHS

Environment friendly use period (EFUP)	EFUP-10
	An article-related China RoHS declaration table can be found in the download area for the respective article under "Manufacturer declaration". For all articles with EFUP-E, no China RoHS declaration table issued and required.

EU REACH SVHC

REACH candidate substance (CAS No.)	Lead(CAS: 7439-92-1)
SCIP	389b71d3-1604-4f94-a2ab-ebc93b782478

Phoenix Contact 2026 © - all rights reserved

<https://www.phoenixcontact.com>

Phoenix Contact USA
586 Fulling Mill Road
Middletown, PA 17057, United States
(+717) 944-1300
info@phoenixcon.com