

TMC 7/8 ALARM - Alarm Switch



2908220

<https://www.phoenixcontact.com/us/products/2908220>

Please be informed that the data shown in this PDF document is generated from our online catalog. Please find the complete data in the user documentation. Our general terms of use for downloads are valid.



Alarm Switch, 1-position, connection method: Screw, mounting type: Snaps on to side of circuit breaker, rated current: 6 A

Commercial data

Item number	2908220
Packing unit	1 pc
Minimum order quantity	1 pc
Sales key	CL08
Product key	CLA125
GTIN	4055626299716
Weight per piece (including packing)	43.33 g
Weight per piece (excluding packing)	43.33 g
Customs tariff number	85362010
Country of origin	CN

TMC 7/8 ALARM - Alarm Switch



2908220

<https://www.phoenixcontact.com/us/products/2908220>

Technical data

Product properties

Product type	Circuit breakers
Product family	TMC 8
Type	DIN rail module, one-piece
Number of positions	1
Mechanical service life	20000

Electrical properties

General

Operating voltage	120 V AC ... 277 V AC
	24 V DC ... 125 V DC
Rated current I_N	6 A (12 ... 240 V AC)
	3 A (277 V AC)
	6 A (12 ... 24 V DC)
	2 A (48 V DC)
	1 A (130 V DC)
Type of actuation	Mechanical interconnect with circuit breaker
Contact switching type	none

Connection data

Connection method	Screw
Tightening torque	... 1 Nm
Conductor cross-section rigid	1 mm ² ... 35 mm ²
Cross section AWG	18 ... 2 (converted acc. to IEC)
Conductor cross-section flexible	1 mm ² ... 35 mm ²
Connection method	Screw connection

Dimensions

Dimensional drawing	
Width	9 mm
Height	85.8 mm
Depth	65.7 mm

Material specifications

Color	light gray (RAL 7035)
	orange (RAL 2003)

TMC 7/8 ALARM - Alarm Switch



2908220

<https://www.phoenixcontact.com/us/products/2908220>

Flammability rating according to UL 94	V-0
--	-----

Environmental and real-life conditions

Ambient conditions

Ambient temperature (operation)	-35 °C ... 70 °C
Permissible humidity (operation)	95 %
Humidity test	48 h, 95% RH, 40°C (IEC 60068-2-78)
Shock (operation)	30g (11 ms) (IEC 60068-2-11)
Vibration (operation)	±0,38 mm (10 Hz ... 57 Hz), 5g (57 Hz ... 500 Hz) (IEC 60068-2-6, Fc, sine)

Mounting

Mounting type	Snaps on to side of circuit breaker
---------------	-------------------------------------

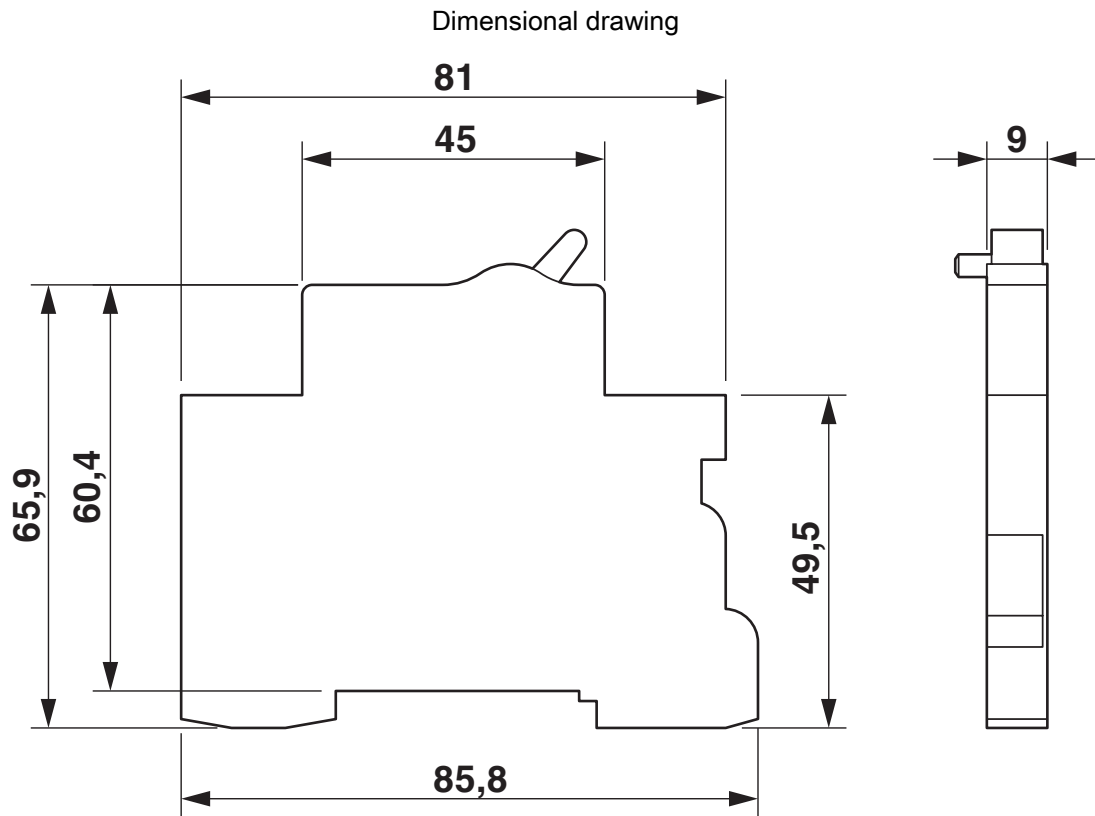
TMC 7/8 ALARM - Alarm Switch

2908220

<https://www.phoenixcontact.com/us/products/2908220>



Drawings



TMC 7/8 ALARM - Alarm Switch



2908220

<https://www.phoenixcontact.com/us/products/2908220>

Approvals

To download certificates, visit the product detail page: <https://www.phoenixcontact.com/us/products/2908220>



UL Listed

Approval ID: FILE E 478429



cUL Listed

Approval ID: FILE E 478429



CCC

Approval ID: 2024010305673888

TMC 7/8 ALARM - Alarm Switch



2908220

<https://www.phoenixcontact.com/us/products/2908220>

Classifications

ECLASS

ECLASS-13.0	27250113
ECLASS-15.0	27250113

ETIM

ETIM 10.0	EC000899
-----------	----------

UNSPSC

UNSPSC 21.0	39121410
-------------	----------

TMC 7/8 ALARM - Alarm Switch



2908220

<https://www.phoenixcontact.com/us/products/2908220>

Environmental product compliance

EU RoHS

Fulfills EU RoHS substance requirements	Yes, No exemptions
---	--------------------

China RoHS

Environment friendly use period (EFUP)	EFUP-E
	No hazardous substances above the limits

EU REACH SVHC

REACH candidate substance (CAS No.)	No substance above 0.1 wt%
-------------------------------------	----------------------------

EF3.1 Climate Change

CO2e kg	6.941 kg CO2e
---------	---------------

Phoenix Contact 2026 © - all rights reserved
<https://www.phoenixcontact.com>

Phoenix Contact USA
586 Fulling Mill Road
Middletown, PA 17057, United States
(+717) 944-1300
info@phoenixcon.com