

# TMC 8 B TERM PIN - Terminal adapter



2907998

<https://www.phoenixcontact.com/us/products/2907998>

Please be informed that the data shown in this PDF document is generated from our online catalog. Please find the complete data in the user documentation. Our general terms of use for downloads are valid.

Feeder terminal adapter for TMC 8..... circuit breaker bus bars. Rated for 1000 V AC/DC, 115 A. Wire range 14...2 AWG. UL Listed for connection to UL 489 rated circuit breakers.



## Product description

Feed-in terminal adapter for TMC 8 bus bars

## Commercial data

|                                      |               |
|--------------------------------------|---------------|
| Item number                          | 2907998       |
| Packing unit                         | 10 pc         |
| Minimum order quantity               | 1 pc          |
| Sales key                            | CL08          |
| Product key                          | CLA125        |
| GTIN                                 | 4055626352985 |
| Weight per piece (including packing) | 37.75 g       |
| Weight per piece (excluding packing) | 38 g          |
| Customs tariff number                | 85362010      |
| Country of origin                    | DE            |

# TMC 8 B TERM PIN - Terminal adapter



2907998

<https://www.phoenixcontact.com/us/products/2907998>

## Technical data

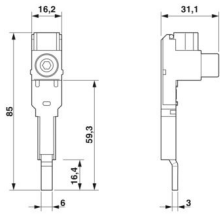
### Product properties

|              |                  |
|--------------|------------------|
| Product type | Circuit breakers |
| Type         | Adapter          |

### Electrical properties

|                       |              |
|-----------------------|--------------|
| Rated voltage (III/3) | 1000 V AC/DC |
|-----------------------|--------------|

### Dimensions

|                     |   |
|---------------------|---|
| Dimensional drawing |  |
| Width               | 16.2 mm   |
| Height              | 31.1 mm   |
| Depth               | 85 mm   |

### Material specifications

|       |                       |
|-------|-----------------------|
| Color | light gray (RAL 7035) |
|-------|-----------------------|

# TMC 8 B TERM PIN - Terminal adapter

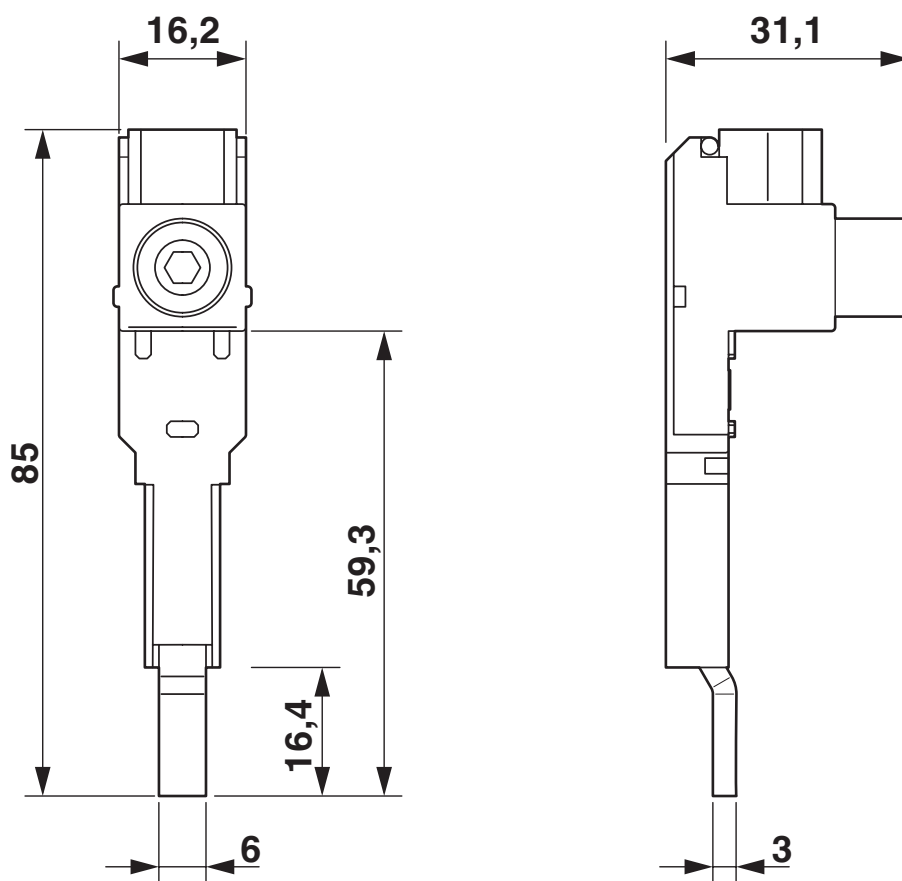
2907998

<https://www.phoenixcontact.com/us/products/2907998>



## Drawings

Dimensional drawing



# TMC 8 B TERM PIN - Terminal adapter



2907998

<https://www.phoenixcontact.com/us/products/2907998>

## Approvals

To download certificates, visit the product detail page: <https://www.phoenixcontact.com/us/products/2907998>



**UL Listed**

Approval ID: E123528



**cUL Listed**

Approval ID: E123528

# TMC 8 B TERM PIN - Terminal adapter



2907998

<https://www.phoenixcontact.com/us/products/2907998>

## Classifications

### ECLASS

|             |          |
|-------------|----------|
| ECLASS-13.0 | 27140492 |
| ECLASS-15.0 | 27140492 |

### ETIM

|           |          |
|-----------|----------|
| ETIM 10.0 | EC002936 |
|-----------|----------|

# TMC 8 B TERM PIN - Terminal adapter



2907998

<https://www.phoenixcontact.com/us/products/2907998>

## Environmental product compliance

### EU RoHS

|   |                    |
|---|--------------------|
| Fulfills EU RoHS substance requirements | Yes, No exemptions |
|---|--------------------|

### China RoHS

|  |  |
|--|--|
| Environment friendly use period (EFUP) | EFUP-E                                   |
|  | No hazardous substances above the limits |

### EU REACH SVHC

|                                     |                            |
|-------------------------------------|----------------------------|
| REACH candidate substance (CAS No.) | No substance above 0.1 wt% |
|-------------------------------------|----------------------------|

### EF3.1 Climate Change

|         |               |
|---------|---------------|
| CO2e kg | 0.626 kg CO2e |
|---------|---------------|

Phoenix Contact 2026 © - all rights reserved  
<https://www.phoenixcontact.com>

Phoenix Contact USA  
586 Fulling Mill Road  
Middletown, PA 17057, United States  
(+717) 944-1300  
[info@phoenixcon.com](mailto:info@phoenixcon.com)