

# PLT-SEC-T3-24-P-UT/PT - Type 3 surge protection plug



2907920

<https://www.phoenixcontact.com/us/products/2907920>

Please be informed that the data shown in this PDF document is generated from our online catalog. Please find the complete data in the user documentation. Our general terms of use for downloads are valid.



Replacement plug for type 3 surge protection from the PLT-SEC-...-UT/PT product series.  
Nominal voltage 24 V.

## Commercial data

Item number	2907920
Packing unit	10 pc
Minimum order quantity	1 pc
Sales key	CL19
Product key	CL14A4
GTIN	4055626257464
Weight per piece (including packing)	37.2 g
Weight per piece (excluding packing)	33.825 g
Customs tariff number	85363030
Country of origin	DE

# PLT-SEC-T3-24-P-UT/PT - Type 3 surge protection plug

2907920

<https://www.phoenixcontact.com/us/products/2907920>

## Technical data

### Product properties

Product type	Replacement plug
Product family	SEC Family
IEC power supply system	TN-S
Type	Male
Number of positions	2
Surge protection fault message	optical

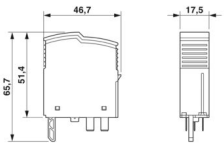
### Insulation characteristics

Overvoltage category	III
Pollution degree	2
IEC test classification	III
	T3
EN type	T3
Number of ports	One

### Connection data

Connection method	pluggable
-------------------	-----------

### Dimensions

Dimensional drawing	
Width	17.5 mm
Height	46.7 mm
Depth	65.7 mm
Horizontal pitch	1 Div.

### Material specifications

Color	light gray (RAL 7035)
	gray (RAL 7042)
Flammability rating according to UL 94	V-0
CTI value of material	600
Insulating material	PA 6.6-FR 20 % GF
	PA 6.6-FR
Housing material	PA 6.6-FR 20 % GF
	PA 6.6-FR

### Protective circuit

	L-N
--	-----

# PLT-SEC-T3-24-P-UT/PT - Type 3 surge protection plug



2907920

<https://www.phoenixcontact.com/us/products/2907920>

Mode of protection	L-PE
	N-PE
Direction of action	1L-N & N-PE
Nominal voltage $U_N$	24 V AC (TN-S)
Nominal frequency $f_N$	50 Hz (60 Hz)
Maximum continuous operating voltage $U_C$	34 V AC
Protective conductor current $I_{PE}$	$\leq 5 \mu\text{A}$
Standby power consumption $P_C$	$\leq 2.7 \text{ mVA}$ (at $U_{REF}$ )
	$\leq 4.8 \text{ mVA}$ (at $U_C$ )
Reference test voltage $U_{REF}$	27 V AC
Nominal discharge current $I_n$ (8/20) $\mu\text{s}$	1 kA
Combination wave $U_{OC}$	2 kV
Voltage protection level $U_p$ (L-N)	$\leq 0.2 \text{ kV}$
Voltage protection level $U_p$ (L-PE)	$\leq 0.6 \text{ kV}$
Voltage protection level $U_p$ (N-PE)	$\leq 0.6 \text{ kV}$
TOV behavior at $U_T$ (L-N)	50 V AC (120 min / safe failure mode)
TOV behavior at $U_T$ (L-PE)	50 V AC (120 min / withstand mode)
Response time $t_A$ (L-N)	$\leq 25 \text{ ns}$
Response time $t_A$ (L-PE)	$\leq 100 \text{ ns}$
Response time $t_A$ (N-PE)	$\leq 100 \text{ ns}$
Short-circuit current rating $I_{SCCR}$	10 kA AC
Max. backup fuse with branch wiring	32 A (gG / B / C)

## Additional technical data

Short-circuit current rating $I_{SCCR}$	0.25 kA DC (Without additional backup fuse in the DC branch wiring)
	5 kA DC (for 20 A gG / B backup fuse)
Maximum discharge current $I_{max}$ (8/20) $\mu\text{s}$	4 kA
Nominal discharge current $I_n$ (8/20) $\mu\text{s}$	3 kA
Residual voltage $U_{res}$ (L-N)	$\leq 0.16 \text{ kV}$ (at 0.5 kA)
	$\leq 0.2 \text{ kV}$ (at 1 kA)
Residual voltage $U_{res}$ (L-PE)	$\leq 0.35 \text{ kV}$ (at 0.5 kA)
	$\leq 0.4 \text{ kV}$ (at 1 kA)
Residual voltage $U_{res}$ (N-PE)	$\leq 0.35 \text{ kV}$ (at 0.5 kA)
	$\leq 0.4 \text{ kV}$ (at 1 kA)
Maximum continuous operating voltage $U_C$	44 V DC
Mode of protection	(DC+) - (DC-)
	(DC+/DC-) - PE

## Environmental and real-life conditions

### Ambient conditions

Degree of protection	IP20
Ambient temperature (operation)	-40 °C ... 80 °C
Ambient temperature (storage/transport)	-40 °C ... 80 °C

# PLT-SEC-T3-24-P-UT/PT - Type 3 surge protection plug



2907920

<https://www.phoenixcontact.com/us/products/2907920>

Altitude	≤ 6000 m (amsl)
Permissible humidity (operation)	5 % ... 95 %
Shock (operation)	30g (Half-sine / 11 ms / 3x ±X, ±Y, ±Z)
Vibration (operation)	5g (5 ... 500 Hz / 2.5 h / X, Y, Z)

## Approvals

### UL specifications

Maximum continuous operating voltage MCOV	34 V AC
	34 V DC
Nominal discharge current $I_n$	1 kA
Mode of protection	L-N
	L-G
	N-G
	(DC+) - (DC-)
	(DC+) - G
	(DC-) - G
Nominal voltage	34 V DC
Power distribution system	Single phase
	DC
Nominal frequency	50/60 Hz
Measured limiting voltage MLV (L-N)	200 V
Measured limiting voltage MLV (L-G)	510 V
Measured limiting voltage MLV (N-G)	510 V
SPD Type	4CA

## Standards and regulations

Standards/specifications	IEC 61643-11
Note	2011

### EN 61643-11

Standards/specifications	EN 61643-11
Note	2012

## Mounting

Mounting type	on base element
---------------	-----------------

# PLT-SEC-T3-24-P-UT/PT - Type 3 surge protection plug

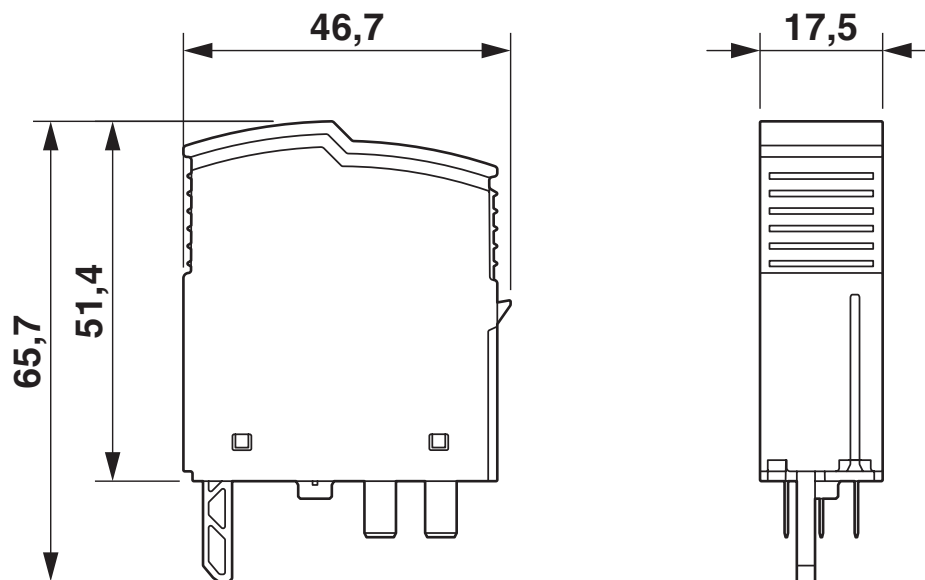


2907920

<https://www.phoenixcontact.com/us/products/2907920>

## Drawings

Dimensional drawing



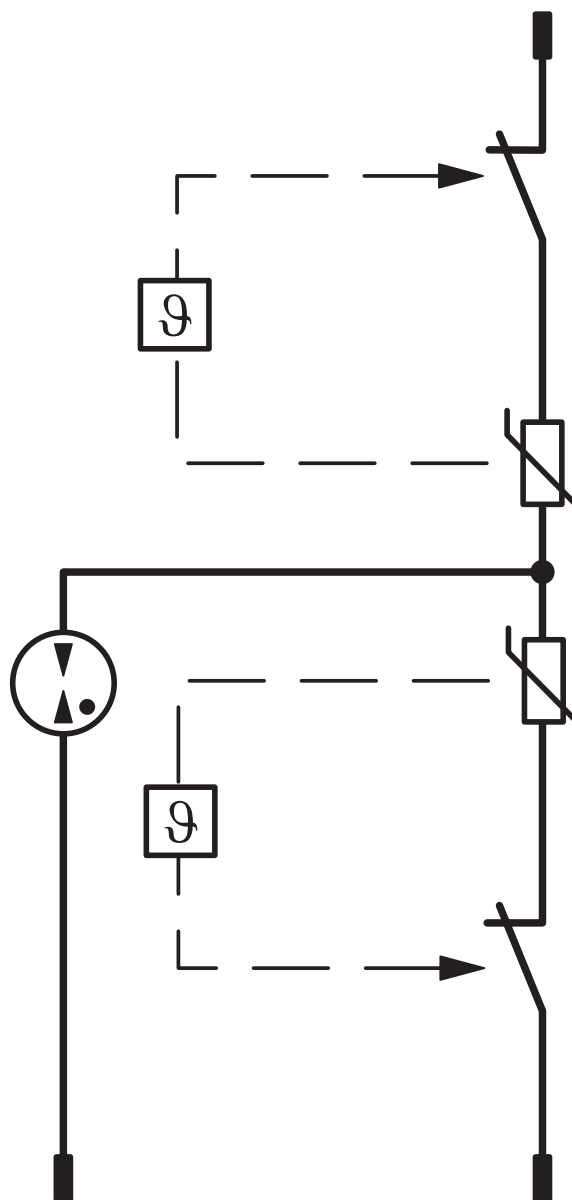
# PLT-SEC-T3-24-P-UT/PT - Type 3 surge protection plug



2907920

<https://www.phoenixcontact.com/us/products/2907920>

Circuit diagram



# PLT-SEC-T3-24-P-UT/PT - Type 3 surge protection plug



2907920

<https://www.phoenixcontact.com/us/products/2907920>

## Approvals

To download certificates, visit the product detail page: <https://www.phoenixcontact.com/us/products/2907920>



**cUL Recognized**  
Approval ID: FILE E 330181



**UL Recognized**  
Approval ID: FILE E 330181



**IECEE CB Scheme**  
Approval ID: NL-51083

**CCA**

Approval ID: NTR-NL 7676



**KEMA-KEUR**  
Approval ID: 71-103027

**UAE-RoHS**

Approval ID: 23-10-88891

**DNV**

Approval ID: TAE00002U7



**cUL Recognized**  
Approval ID: FILE E 340736



**UL Recognized**  
Approval ID: FILE E 340736

# PLT-SEC-T3-24-P-UT/PT - Type 3 surge protection plug



2907920

<https://www.phoenixcontact.com/us/products/2907920>

## Classifications

### ECLASS

ECLASS-13.0	27171292
ECLASS-15.0	27171292

### ETIM

ETIM 10.0	EC002496
-----------	----------

### UNSPSC

UNSPSC 21.0	39121600
-------------	----------

# PLT-SEC-T3-24-P-UT/PT - Type 3 surge protection plug



2907920

<https://www.phoenixcontact.com/us/products/2907920>

## Environmental product compliance

### EU RoHS

Fulfills EU RoHS substance requirements	Yes, No exemptions
---	--------------------

### China RoHS

Environment friendly use period (EFUP)	EFUP-E
	No hazardous substances above the limits

### EU REACH SVHC

REACH candidate substance (CAS No.)	No substance above 0.1 wt%
-------------------------------------	----------------------------

### EF3.1 Climate Change

CO2e kg	0.739 kg CO2e
---------	---------------

Phoenix Contact 2026 © - all rights reserved  
<https://www.phoenixcontact.com>

Phoenix Contact USA  
586 Fulling Mill Road  
Middletown, PA 17057, United States  
(+717) 944-1300  
[info@phoenixcon.com](mailto:info@phoenixcon.com)