

# PLT-SEC-T3-24-FM-UT - Type 3 surge protection device



2907916

<https://www.phoenixcontact.com/us/products/2907916>

Please be informed that the data shown in this PDF document is generated from our online catalog. Please find the complete data in the user documentation. Our general terms of use for downloads are valid.



Type 3 surge protection, consisting of protective plug and base element, with integrated status indicator and remote signaling for single-phase power supply networks. Nominal voltage: 24 V AC/DC

## Your advantages

- Surge protection family for universal use with optimum energy coordination from the lightning current arrester to the device protection
- Easy to maintain due to consistently pluggable protection modules
- Excellent level of information provided by mechanical/visual status indicator and remote indication contact
- Your preferred connection technology can be selected as both screw connection and Push-in connection are available
- Optimal additional protection of the industrial power supply for a longer service life and increased availability of the system

## Commercial data

Item number	2907916
Packing unit	5 pc
Minimum order quantity	5 pc
Sales key	CL19
Product key	CL14A2
GTIN	4055626257419
Weight per piece (including packing)	94.49 g
Weight per piece (excluding packing)	81.16 g
Customs tariff number	85363030
Country of origin	DE

# PLT-SEC-T3-24-FM-UT - Type 3 surge protection device



2907916

<https://www.phoenixcontact.com/us/products/2907916>

## Technical data

### Product properties

Product type	Device protection
Product family	SEC Family
IEC power supply system	TN-S
Type	DIN rail module, two-section, divisible
Number of positions	2
Surge protection fault message	Optical, remote indicator contact

### Insulation characteristics

Overvoltage category	III
Pollution degree	2
IEC test classification	III
	T3
EN type	T3
Number of ports	One

### Electrical properties

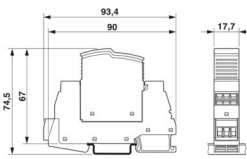
#### Indicator/remote signaling

Connection name	Remote fault indicator contact
Switching function	Changeover contact
Operating voltage	250 V AC
	125 V DC (200 mA DC)
Operating current	0.5 A AC
	0.5 A DC (75 V DC)

### Connection data

Connection method	Screw connection
Screw thread	M3
Tightening torque	0.5 Nm
Conductor cross-section flexible	0.2 mm <sup>2</sup> ... 2.5 mm <sup>2</sup>
Conductor cross-section rigid	0.2 mm <sup>2</sup> ... 4 mm <sup>2</sup>
Conductor cross-section AWG	24 ... 12

### Dimensions

Dimensional drawing	
Width	17.7 mm
Height	93.4 mm

# PLT-SEC-T3-24-FM-UT - Type 3 surge protection device



2907916

<https://www.phoenixcontact.com/us/products/2907916>

Depth	74.5 mm (incl. DIN rail 7.5 mm)
Horizontal pitch	1 Div.

## Material specifications

Color (Male connector)	light gray (RAL 7035)
Color (Base element)	gray (RAL 7042)
Flammability rating according to UL 94	V-0
CTI value of material	600
Insulating material	PA 6.6-FR 20 % GF
	PA 6.6-FR
Housing material	PA 6.6-FR 20 % GF
	PA 6.6-FR

## Protective circuit

Mode of protection	L-N
	L-PE
	N-PE
Direction of action	1L-N & N-PE
Nominal voltage $U_N$	24 V AC (TN-S)
Nominal frequency $f_N$	50 Hz (60 Hz)
Maximum continuous operating voltage $U_C$	34 V AC
Rated load current $I_L$	26 A (at 30 °C)
Protective conductor current $I_{PE}$	$\leq 5 \mu A$
Standby power consumption $P_C$	$\leq 2.7 \text{ mVA}$ (at $U_{REF}$ )
	$\leq 4.8 \text{ mVA}$ (at $U_C$ )
Reference test voltage $U_{REF}$	27 V AC
Nominal discharge current $I_n$ (8/20) $\mu s$	1 kA
Combination wave $U_{OC}$	2 kV
Voltage protection level $U_p$ (L-N)	$\leq 0.2 \text{ kV}$
Voltage protection level $U_p$ (L-PE)	$\leq 0.6 \text{ kV}$
Voltage protection level $U_p$ (N-PE)	$\leq 0.6 \text{ kV}$
TOV behavior at $U_T$ (L-N)	50 V AC (120 min / withstand mode)
TOV behavior at $U_T$ (L-PE)	50 V AC (120 min / withstand mode)
Response time $t_A$ (L-N)	$\leq 25 \text{ ns}$
Response time $t_A$ (L-PE)	$\leq 100 \text{ ns}$
Response time $t_A$ (N-PE)	$\leq 100 \text{ ns}$
Short-circuit current rating $I_{SCCR}$	10 kA AC
Maximum backup fuse for through wiring	25 A (gG / B / C)
Max. backup fuse with branch wiring	32 A (gG / B / C)

## Additional technical data

Short-circuit current rating $I_{SCCR}$	0.25 kA DC (Without additional backup fuse in the DC branch wiring)
	5 kA DC (for 20 A gG / B backup fuse)
Maximum discharge current $I_{max}$ (8/20) $\mu s$	4 kA

# PLT-SEC-T3-24-FM-UT - Type 3 surge protection device



2907916

<https://www.phoenixcontact.com/us/products/2907916>

Nominal discharge current $I_n$ (8/20) $\mu$ s	3 kA
Residual voltage $U_{res}$ (L-N)	$\leq 0.16$ kV (at 0.5 kA)
	$\leq 0.2$ kV (at 1 kA)
Residual voltage $U_{res}$ (L-PE)	$\leq 0.35$ kV (at 0.5 kA)
	$\leq 0.4$ kV (at 1 kA)
Residual voltage $U_{res}$ (N-PE)	$\leq 0.35$ kV (at 0.5 kA)
	$\leq 0.4$ kV (at 1 kA)
Maximum continuous operating voltage $U_C$	44 V DC
Mode of protection	(DC+) - (DC-)
	(DC+/DC-) - PE

## Environmental and real-life conditions

### Ambient conditions

Degree of protection	IP20
Ambient temperature (operation)	-40 °C ... 80 °C
Ambient temperature (storage/transport)	-40 °C ... 80 °C
Altitude	$\leq 2000$ m (operating voltage remote contact $\leq 250$ V)
	$\leq 6000$ m (operating voltage remote contact $\leq 150$ V)
Permissible humidity (operation)	5 % ... 95 %
Shock (operation)	30g (Half-sine / 11 ms / 3x $\pm$ X, $\pm$ Y, $\pm$ Z)
Vibration (operation)	5g (5 ... 500 Hz / 2.5 h / X, Y, Z)

## Approvals

### UL specifications

Maximum continuous operating voltage MCOV	34 V AC
	34 V DC
Nominal discharge current $I_n$	1 kA
Mode of protection	L-N
	L-G
	N-G
	(DC+) - (DC-)
	(DC+) - G
	(DC-) - G
Nominal voltage	34 V DC
Rated load current $I_L$	20 A
Power distribution system	Single phase
	DC
Nominal frequency	50/60 Hz
Measured limiting voltage MLV (L-N)	200 V
Measured limiting voltage MLV (L-G)	510 V
Measured limiting voltage MLV (N-G)	510 V
SPD Type	4CA

UL indicator/remote signaling

# PLT-SEC-T3-24-FM-UT - Type 3 surge protection device



2907916

<https://www.phoenixcontact.com/us/products/2907916>

Operating voltage	250 V AC (0.5 A)
DC operating voltage	12 V DC (4 A)
	24 V DC (2 A)
	48 V DC (1 A)

## UL connection data

Tightening torque	4.4 lb <sub>f</sub> -in.
Conductor cross-section AWG	16 ... 12

## Standards and regulations

Standards/specifications	IEC 61643-11
Note	2011

## EN 61643-11

Standards/specifications	EN 61643-11
Note	2012

## Mounting

Mounting type	DIN rail: 35 mm
---------------	-----------------

# PLT-SEC-T3-24-FM-UT - Type 3 surge protection device

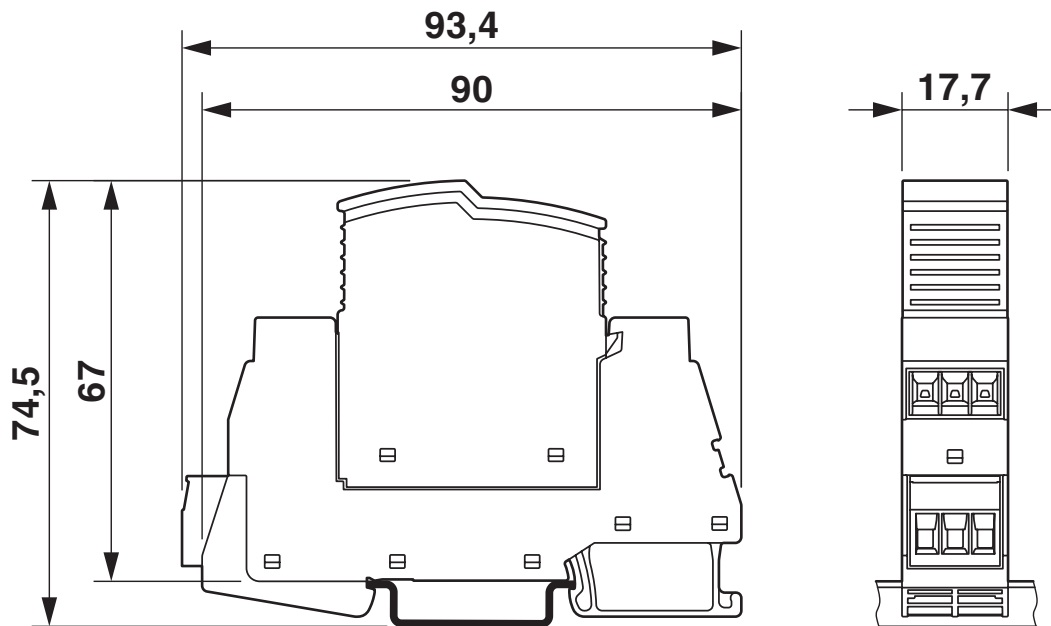


2907916

<https://www.phoenixcontact.com/us/products/2907916>

## Drawings

Dimensional drawing



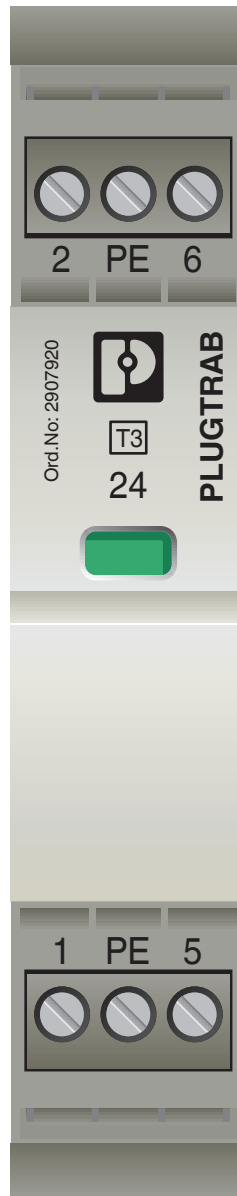
# PLT-SEC-T3-24-FM-UT - Type 3 surge protection device



2907916

<https://www.phoenixcontact.com/us/products/2907916>

Product drawing



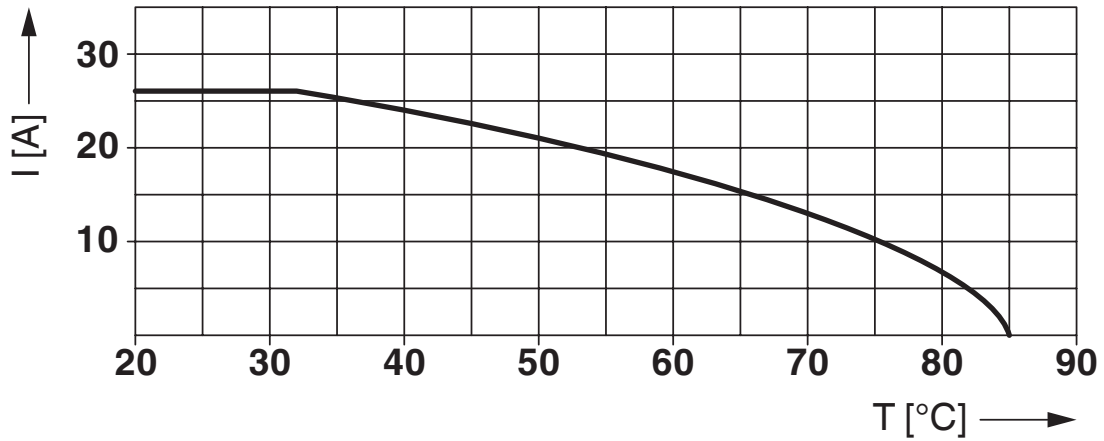
# PLT-SEC-T3-24-FM-UT - Type 3 surge protection device



2907916

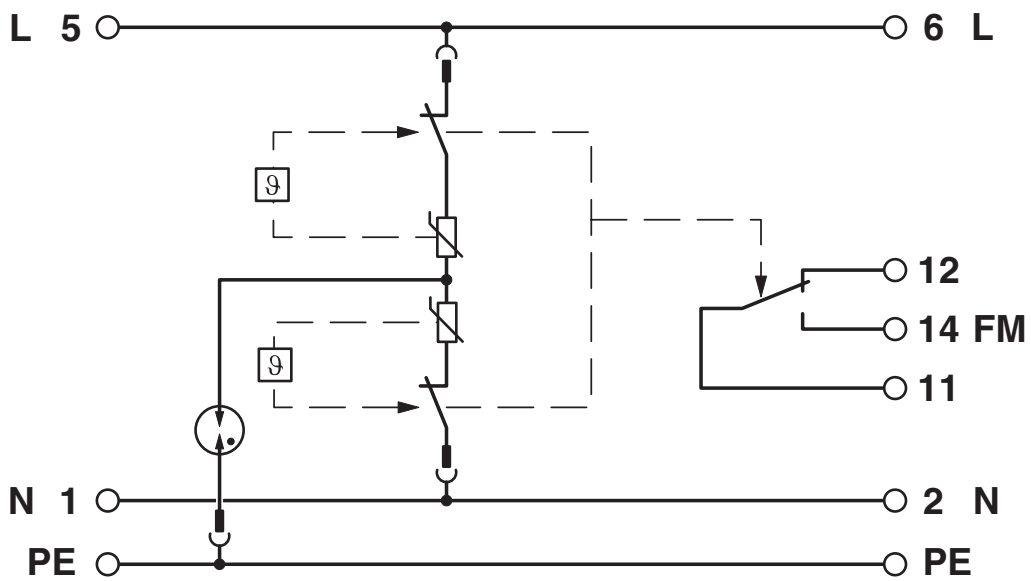
<https://www.phoenixcontact.com/us/products/2907916>

Diagram



Nominal current depending on ambient temperature

Circuit diagram



# PLT-SEC-T3-24-FM-UT - Type 3 surge protection device



2907916

<https://www.phoenixcontact.com/us/products/2907916>

## Approvals

To download certificates, visit the product detail page: <https://www.phoenixcontact.com/us/products/2907916>



**cUL Recognized**  
Approval ID: FILE E 330181



**UL Recognized**  
Approval ID: FILE E 330181



**IECEE CB Scheme**  
Approval ID: NL-51083

**CCA**

Approval ID: NTR-NL 7676



**KEMA-KEUR**  
Approval ID: 71-103027

**UAE-RoHS**

Approval ID: 23-10-88891

**DNV**

Approval ID: TAE00002U7



**cUL Recognized**  
Approval ID: FILE E 340736



**UL Recognized**  
Approval ID: FILE E 340736

# PLT-SEC-T3-24-FM-UT - Type 3 surge protection device



2907916

<https://www.phoenixcontact.com/us/products/2907916>

## Classifications

### ECLASS

ECLASS-13.0	27171203
ECLASS-15.0	27171203

### ETIM

ETIM 10.0	EC000942
-----------	----------

### UNSPSC

UNSPSC 21.0	39121600
-------------	----------

# PLT-SEC-T3-24-FM-UT - Type 3 surge protection device



2907916

<https://www.phoenixcontact.com/us/products/2907916>

## Environmental product compliance

### EU RoHS

Fulfills EU RoHS substance requirements	Yes, No exemptions
---	--------------------

### China RoHS

Environment friendly use period (EFUP)	EFUP-E
	No hazardous substances above the limits

### EU REACH SVHC

REACH candidate substance (CAS No.)	No substance above 0.1 wt%
-------------------------------------	----------------------------

Phoenix Contact 2026 © - all rights reserved  
<https://www.phoenixcontact.com>

Phoenix Contact USA  
586 Fulling Mill Road  
Middletown, PA 17057, United States  
(+717) 944-1300  
[info@phoenixcon.com](mailto:info@phoenixcon.com)