

VAL-SEC-T2-2+0-48DC-FM - Type 2 surge arrester



2907865

<https://www.phoenixcontact.com/us/products/2907865>

Please be informed that the data shown in this PDF document is generated from our online catalog. Please find the complete data in the user documentation. Our general terms of use for downloads are valid.



Pluggable surge protective device, in accordance with Type 2/Class II, for DC power sources with linear operating characteristics, with remote indication contact.

Your advantages

- Surge protection family for universal use with optimum energy coordination from the lightning current arrester to the device protection
- Easy to maintain due to consistently pluggable protection modules
- Excellent level of information provided by mechanical/visual status indicator and remote indication contact
- More space in the control cabinet due to the narrow overall width of just 12 mm per position

Commercial data

Item number	2907865
Packing unit	1 pc
Minimum order quantity	1 pc
Sales key	CL01
Product key	CL1353
GTIN	4055626244587
Weight per piece (including packing)	209.6 g
Weight per piece (excluding packing)	206.6 g
Customs tariff number	85363090
Country of origin	DE

VAL-SEC-T2-2+0-48DC-FM - Type 2 surge arrester



2907865

<https://www.phoenixcontact.com/us/products/2907865>

Technical data

Product properties

Product type	Surge arrester
Product family	SEC Family
IEC test classification	II T2
EN type	T2
IEC power supply system	DC
Type	DIN rail module, two-section, divisible
Number of positions	2
Surge protection fault message	Optical, remote indicator contact
Number of ports	One

Insulation characteristics

Overvoltage category	III
Pollution degree	2

Electrical properties

Nominal frequency f_N	50 Hz (60 Hz)
Nominal voltage U_N	48 V DC ... 60 V DC

Indicator/remote signaling

Connection name	Remote fault indicator contact
Switching function	Changeover contact
Operating voltage	5 V AC ... 250 V AC (Altitude \leq 2000 m (amsl)) 5 V AC ... 150 V AC (Altitude $>$ 2000 m (amsl)) 125 V DC (200 mA DC)
Operating current	5 mA AC ... 1 A AC 1 A DC (30 V DC)

Connection data

Connection method	Screw connection
Screw thread	M5
Tightening torque	4.5 Nm
Stripping length	16 mm
Conductor cross-section flexible	2.5 mm ² ... 16 mm ²
Conductor cross-section rigid	2.5 mm ² ... 25 mm ²
Conductor cross-section AWG	12 ... 4
Connection method	Fork-type cable lug
Conductor cross-section flexible	1.5 mm ² ... 6 mm ²

Remote fault indicator contact

Connection method	Plug-in/screw connection via COMBICON
Screw thread	M2

VAL-SEC-T2-2+0-48DC-FM - Type 2 surge arrester



2907865

<https://www.phoenixcontact.com/us/products/2907865>

Tightening torque	0.25 Nm
Stripping length	7 mm
Conductor cross-section flexible	0.14 mm ² ... 1.5 mm ²
Conductor cross-section rigid	0.14 mm ² ... 1.5 mm ²
Conductor cross-section AWG	28 ... 16

Dimensions

Dimensional drawing	
Width	25.4 mm
Height	97.9 mm
Depth	74.5 mm (incl. DIN rail 7.5 mm)
Horizontal pitch	1.4 Div.

Material specifications

Color (Male connector)	light gray (RAL 7035)
Color (Base element)	gray (RAL 7042)
Flammability rating according to UL 94	V-0
CTI value of material	600
Insulating material	PA6.6-FR 20% GF PBT-FR
Material group	I
Housing material	PA 6.6-FR 20 % GF PBT-FR

Protective circuit

Mode of protection	(DC+) - (DC-)
	(DC+) - PE
	(DC-) - PE
Direction of action	(DC+/DC-) - PE
Nominal voltage U_N	60 V AC (TN)
	48 V DC ... 60 V DC
Nominal frequency f_N	50 Hz (60 Hz)
Maximum continuous operating voltage U_C	75 V DC
	75 V AC
Rated load current I_L	40 A (Biconnect M4 fork-type cable lug 6 mm ²)
	63 A (TWIN ferrule 2 x 10 mm ²)
Protective conductor current I_{PE}	≤ 50 μA DC
	≤ 450 μA AC
Nominal discharge current I_n (8/20) μs	20 kA
Maximum discharge current I_{max} (8/20) μs	40 kA

VAL-SEC-T2-2+0-48DC-FM - Type 2 surge arrester



2907865

<https://www.phoenixcontact.com/us/products/2907865>

Impulse discharge current (10/350) μ s, charge	2 As
Impulse discharge current (10/350) μ s, specific energy	4 kJ/ Ω
Impulse discharge current (10/350) μ s, peak value I_{imp}	4 kA
Total discharge current I_{Total} (8/20) μ s	40 kA
Short-circuit current rating I_{SCCR}	0.2 kA DC (without backup fuse)
	6 kA DC (for 20 A gG/B backup fuse)
	10 kA AC (C63 A miniature circuit breaker)
	25 kA AC (for a backup fuse of up to 315 A gG)
	50 kA AC (for a backup fuse of up to 200 A gG)
Voltage protection level U_p (DC+) - (DC-)	≤ 0.9 kV
Voltage protection level U_p (DC+/DC-) - PE	≤ 0.5 kV
Response time t_A	≤ 25 ns
Max. backup fuse with V-type through wiring	20 A DC (gG / B at $I_{SCCR} > 200$ A)
Max. backup fuse with branch wiring	20 A DC (gG / B at $I_{SCCR} > 200$ A)
	315 A AC (gG)

Environmental and real-life conditions

Ambient conditions

Degree of protection	IP20
Ambient temperature (operation)	-40 °C ... 80 °C
Ambient temperature (storage/transport)	-40 °C ... 80 °C
Altitude	≤ 6000 m (amsl)
Permissible humidity (operation)	5 % ... 95 %
Shock (operation)	30g (Half-sine / 11 ms / 3x $\pm X$, $\pm Y$, $\pm Z$)
Vibration (operation)	5g (10 ... 500 Hz / 2.5 h / X, Y, Z)

Approvals

UL specifications

Short-circuit current rating (SCCR)	50 kA
Voltage protection rating VPR (DC+) - (DC-)	800 V
Voltage protection rating VPR (DC+) - G	400 V
Voltage protection rating VPR (DC-) - G	400 V
Nominal discharge current I_n	20 kA
Mode of protection	(DC+) - (DC-)
	(DC+) - G
	(DC-) - G
Nominal voltage	60 V DC
Power distribution system	DC
SPD Type	1

UL indicator/remote signaling

Operating voltage	125 V AC
AC operating current	1 A AC

VAL-SEC-T2-2+0-48DC-FM - Type 2 surge arrester



2907865

<https://www.phoenixcontact.com/us/products/2907865>

UL connection data

Tightening torque	30 lb _F -in.
Conductor cross-section AWG	10 ... 2

Standards and regulations

Standards/specifications	IEC 61643-11
Note	2011

EN 61643-11

Standards/specifications	EN 61643-11
Note	2012

Mounting

Mounting type	DIN rail mounting
---------------	-------------------

VAL-SEC-T2-2+0-48DC-FM - Type 2 surge arrester

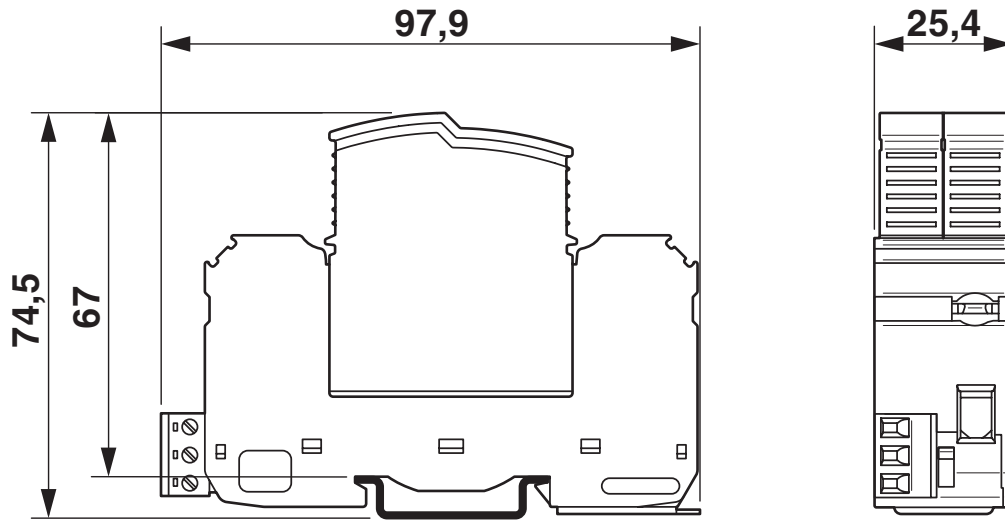
2907865

<https://www.phoenixcontact.com/us/products/2907865>



Drawings

Dimensional drawing



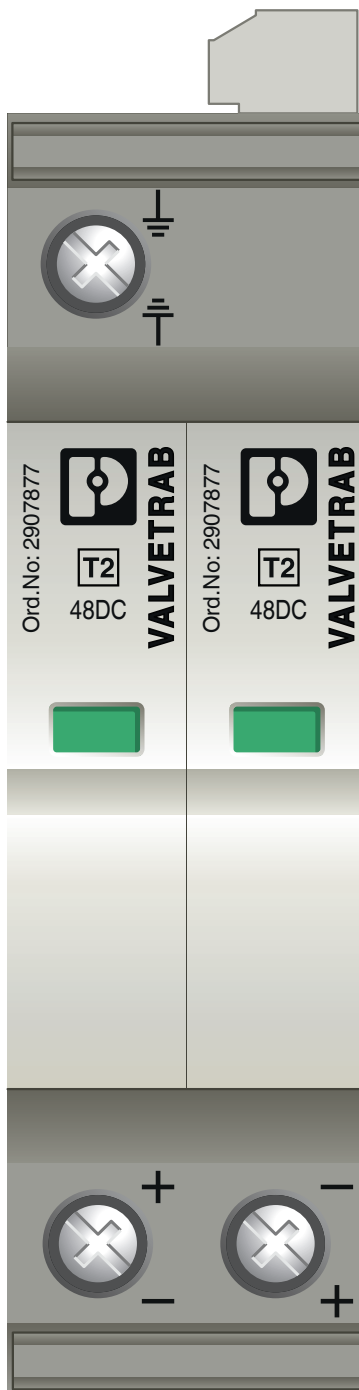
VAL-SEC-T2-2+0-48DC-FM - Type 2 surge arrester

2907865

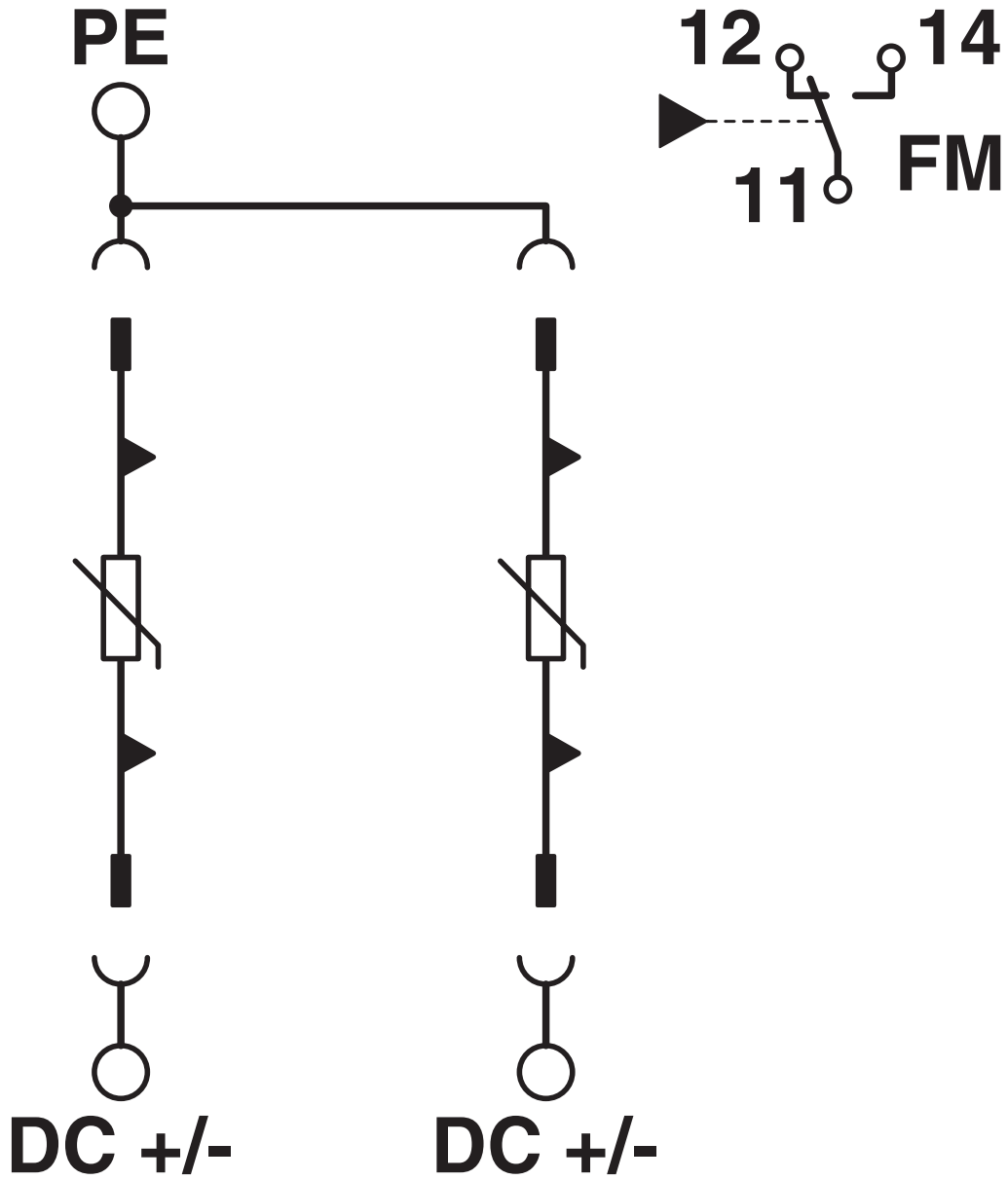
<https://www.phoenixcontact.com/us/products/2907865>



Product drawing



Circuit diagram



VAL-SEC-T2-2+0-48DC-FM - Type 2 surge arrester



2907865

<https://www.phoenixcontact.com/us/products/2907865>

Approvals

To download certificates, visit the product detail page: <https://www.phoenixcontact.com/us/products/2907865>



cUL Recognized
Approval ID: FILE E 330181



UL Recognized
Approval ID: FILE E 330181



DNV GL
Approval ID: TAE000023D

UAE-RoHS

Approval ID: 23-10-88707

VAL-SEC-T2-2+0-48DC-FM - Type 2 surge arrester



2907865

<https://www.phoenixcontact.com/us/products/2907865>

Classifications

ECLASS

ECLASS-13.0	27171302
ECLASS-15.0	27171302

ETIM

ETIM 10.0	EC000941
-----------	----------

UNSPSC

UNSPSC 21.0	39121600
-------------	----------

VAL-SEC-T2-2+0-48DC-FM - Type 2 surge arrester



2907865

<https://www.phoenixcontact.com/us/products/2907865>

Environmental product compliance

EU RoHS

Fulfills EU RoHS substance requirements	Yes, No exemptions
---	--------------------

China RoHS

Environment friendly use period (EFUP)	EFUP-E
	No hazardous substances above the limits

EU REACH SVHC

REACH candidate substance (CAS No.)	No substance above 0.1 wt%
-------------------------------------	----------------------------

Phoenix Contact 2026 © - all rights reserved
<https://www.phoenixcontact.com>

Phoenix Contact USA
586 Fulling Mill Road
Middletown, PA 17057, United States
(+717) 944-1300
info@phoenixcon.com