

FLKM 4X14-PA/AN/S7-1500 - Front adapter



2907385

<https://www.phoenixcontact.com/us/products/2907385>

Please be informed that the data shown in this PDF document is generated from our online catalog. Please find the complete data in the user documentation. Our general terms of use for downloads are valid.



VARIOFACE front adapter, for SIMATIC® S7-1500 analog 35 mm modules, 4x 2 or 2x 2 channels can be connected (40 or 20-pos. modules).

Commercial data

Item number	2907385
Packing unit	1 pc
Minimum order quantity	1 pc
Sales key	C421
Product key	DK231S
GTIN	4055626255712
Weight per piece (including packing)	76.8 g
Weight per piece (excluding packing)	76.8 g
Customs tariff number	85369010
Country of origin	RO

FLKM 4X14-PA/AN/S7-1500 - Front adapter



2907385

<https://www.phoenixcontact.com/us/products/2907385>

Technical data

Product properties

Product type	Front adapter
--------------	---------------

Insulation characteristics

Overvoltage category	II
Pollution degree	2

Electrical properties

Operating voltage (DC)	≤ 50 V DC
Nominal operating mode	100% operating factor
Current (Per path)	≤ 1 A
Rated surge voltage	0.5 kV

Supported controller: SIEMENS S7-1500

Suitable I/O card	6ES7531-7KF00-0AB0
	6ES7531-7LH00-0AB0
	6ES7531-7MH00-0AB0
	6ES7531-7NF00-0AB0
	6ES7531-7NF10-0AB0
	6ES7531-7PF00-0AB0
	6ES7531-7QF00-0AB0
	6ES7532-5HF00-0AB0
	6ES7532-5HD00-0AB0
	6ES7532-5ND00-0AB0
	6ES7532-8TF00-0AB0

Connection data

Field level

Connection method	IDC/FLK pin strip
Number of connections	4
Number of positions	14
Pitch	2.54 mm

Field level

Connection method	IDC/FLK pin strip
Number of connections	2
Number of positions	14
Pitch	2.54 mm

Dimensions

Item dimensions

Width	29.8 mm
-------	---------

FLKM 4X14-PA/AN/S7-1500 - Front adapter



2907385

<https://www.phoenixcontact.com/us/products/2907385>

Height	130.4 mm
Depth	46 mm

Environmental and real-life conditions

Ambient conditions

Degree of protection	IP00
Ambient temperature (operation)	-25 °C ... 60 °C
Ambient temperature (storage/transport)	-40 °C ... 70 °C

Standards and regulations

Standards/regulations	IEC 61131-2
-----------------------	-------------

Notes

Notes on operation	For proper use, the specifications of the installation directive (see Downloads) must be observed. For applications or use with third-party products, the specifications, and the safety and warning instructions of the respective third-party manufacturer must also be met.
--------------------	--

FLKM 4X14-PA/AN/S7-1500 - Front adapter

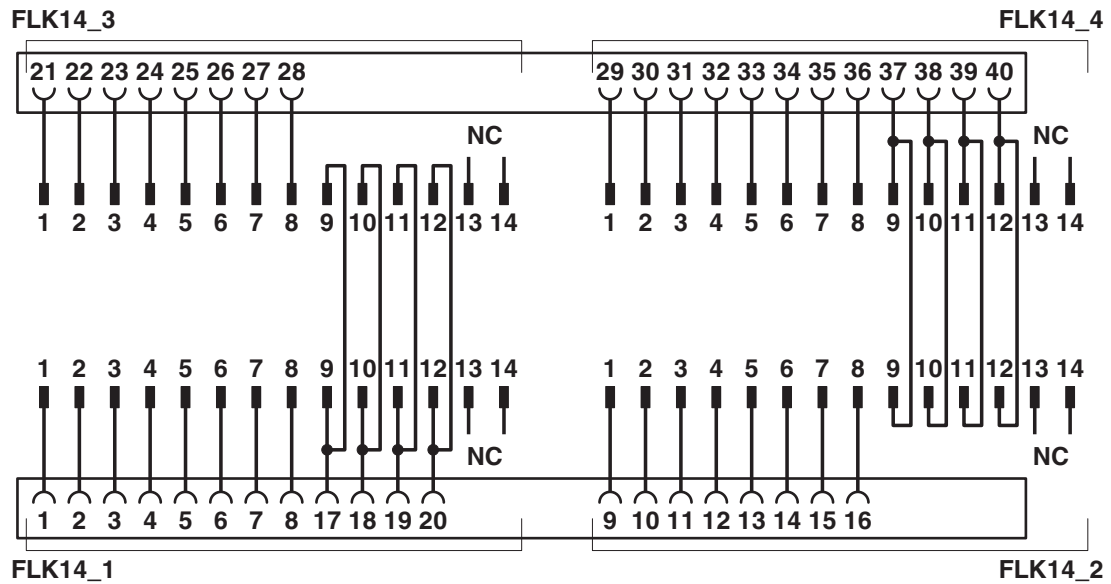


2907385

<https://www.phoenixcontact.com/us/products/2907385>

Drawings

Circuit diagram



Connection scheme FLKM 4X14-PA/AN/S7-1500

FLKM 4X14-PA/AN/S7-1500 - Front adapter



2907385

<https://www.phoenixcontact.com/us/products/2907385>

Approvals

To download certificates, visit the product detail page: <https://www.phoenixcontact.com/us/products/2907385>



EAC

Approval ID: RU C-DE.A*30.B00767



UL Listed

Approval ID: E238705



cUL Listed

Approval ID: E238705

FLKM 4X14-PA/AN/S7-1500 - Front adapter



2907385

<https://www.phoenixcontact.com/us/products/2907385>

Classifications

ECLASS

ECLASS-13.0	27242292
ECLASS-15.0	27242292

ETIM

ETIM 10.0	EC002584
-----------	----------

UNSPSC

UNSPSC 21.0	32151600
-------------	----------

FLKM 4X14-PA/AN/S7-1500 - Front adapter



2907385

<https://www.phoenixcontact.com/us/products/2907385>

Environmental product compliance

EU RoHS

Fulfills EU RoHS substance requirements	Yes, No exemptions
---	--------------------

China RoHS

Environment friendly use period (EFUP)	EFUP-E
	No hazardous substances above the limits

EU REACH SVHC

REACH candidate substance (CAS No.)	No substance above 0.1 wt%
-------------------------------------	----------------------------

Phoenix Contact 2026 © - all rights reserved
<https://www.phoenixcontact.com>

Phoenix Contact USA
586 Fulling Mill Road
Middletown, PA 17057, United States
(+717) 944-1300
info@phoenixcon.com