

MINI MCR-2-T-2RO-PT - Limit value switch



2906877

<https://www.phoenixcontact.com/us/products/2906877>

Please be informed that the data shown in this PDF document is generated from our online catalog. Please find the complete data in the user documentation. Our general terms of use for downloads are valid.



Universally configurable temperature limit value switch with two transistor outputs for the connection of 2, 3, and 4-conductor resistance thermometers and thermocouples. Configurable via DIP switch or software, push-in connection technology

Product description

Universally configurable temperature limit value switch with two transistor outputs for the connection of 2, 3, and 4-conductor resistance thermometers and thermocouples. You can configure the device using one of the free software solutions available or your smartphone. Default settings can also be made directly on the device by simply using the DIP switches (see configuration table). The temperature limit value switch supports fault monitoring and NFC communication.

Commercial data

Item number	2906877
Packing unit	1 pc
Minimum order quantity	1 pc
Sales key	C404
Product key	DK1127
GTIN	4055626131566
Weight per piece (including packing)	118.2 g
Weight per piece (excluding packing)	116.7 g
Customs tariff number	85437090
Country of origin	DE

MINI MCR-2-T-2RO-PT - Limit value switch



2906877

<https://www.phoenixcontact.com/us/products/2906877>

Technical data

Notes

Utilization restriction

EMC note	EMC: class A product, see manufacturer's declaration in the download area
----------	---

Product properties

Product type	Limit value switch
Product family	MINI Analog Pro
No. of channels	1
Configuration	DIP switches
	Software
	App

System properties

Functionality

Configuration	DIP switches
	Software
	App

Electrical properties

Electrical isolation	3-way isolation
Electrical isolation between input and output	yes
Switching point accuracy	< 0.1 %
Step response (0–99%)	300 ms
	570 ms
	380 ms
	300 ms
	570 ms
Maximum temperature coefficient	0.01 %/K

Electrical isolation

Overvoltage category	II
Pollution degree	2

Electrical isolation Input/output/power supply IEC/EN 61010-1

Standards/regulations	IEC/EN 61010-1
Rated insulation voltage	300 V _{rms}
Test voltage	3 kV AC (50 Hz, 60 s)
Insulation	Reinforced insulation

Supply

Nominal supply voltage	24 V DC
------------------------	---------

MINI MCR-2-T-2RO-PT - Limit value switch



2906877

<https://www.phoenixcontact.com/us/products/2906877>

Supply voltage range	9.6 V DC ... 30 V DC (The DIN rail connector (ME 6,2 TBUS-2 1,5/5-ST-3,81 GN, item no. 2869728) can be used to bridge the supply voltage. It can be snapped onto a 35 mm DIN rail in accordance with EN 60715)
Typical current consumption	20 mA (12 V DC)
	10 mA (24 V DC)
Power consumption	350 mW

Input data

Signal

Number of inputs	1
------------------	---

Measurement

Number of inputs	1
Configurable/programmable	Yes
Sensor types (RTD) that can be used	Pt, Ni, Cu sensors
Sensor types that can be used (TC)	B, E, J, K, N, R, S, T, L, U, A-1, A-2, A-3, M, L
Available input sources	Resistance thermometers
	Thermocouples
Temperature measuring range	-250 °C ... 2500 °C (RTD)
Temperature measuring range	≥ 20 K (RTD)
Temperature measuring range: B	500 °C ... 1820 °C
Temperature measuring range: E	-230 °C ... 1000 °C
Temperature measuring range: J	-210 °C ... 1200 °C
Temperature measuring range: K	-250 °C ... 1372 °C
Temperature measuring range: N	-200 °C ... 1300 °C
Temperature measuring range: R	-50 °C ... 1768 °C
Temperature measuring range: S	-50 °C ... 1768 °C
Temperature measuring range: T	-200 °C ... 400 °C
Temperature measuring range: L	-200 °C ... 900 °C
Temperature measuring range: U	-200 °C ... 600 °C
Temperature measuring range: A-1	0 °C ... 2500 °C
Temperature measuring range: A-2	0 °C ... 1800 °C
Temperature measuring range: A-3	0 °C ... 1800 °C
Temperature measuring range: M	-200 °C ... 100 °C
Temperature measuring range: L	-200 °C ... 800 °C
Sensor input current	≈ 1...10 μA (RTD)
Max. permissible overall conductor resistance	≤ 25 Ω (Per line, RTD in 3- or 4-conductor technology)
	≤ 50 Ω (adjustable, RTD in 2-conductor technology)
Linear resistance measuring range	0 Ω ... 4000 Ω (RTD)
Linear mV signal range	-500 mV ... 500 mV (RTD)
Connection technology	2-, 3-, 4-conductor

Output data

MINI MCR-2-T-2RO-PT - Limit value switch



2906877

<https://www.phoenixcontact.com/us/products/2906877>

Switching: Transistor

Number of outputs	2
Contact switching type	2 N/O contacts
Maximum switching voltage	30 V DC
Max. switching current	100 mA (30 V)

Connection data

Connection method	Push-in connection
Stripping length	10 mm
Conductor cross-section rigid	0.2 mm ² ... 2.5 mm ² (with ferrule) 0.14 mm ² ... 2.5 mm ² (without ferrule)
Conductor cross-section flexible	0.14 mm ² ... 2.5 mm ²
Conductor cross-section AWG	24 ... 12 (flexible)

Ex data

Ex installation (EPL)	Gc Div. 2
-----------------------	--------------

Interfaces

Data: IFS interface

Connection method	Micro USB type B
-------------------	------------------

Signaling

Status display	Green LED (supply voltage) Yellow LED (switching output)
Error indication	Red LED

Dimensions

Width	6.2 mm
Height	109.81 mm
Depth	119.2 mm

Material specifications

Color	gray (RAL 7042)
Housing material	PBT
Fire protection for rail vehicles (DIN EN 45545-2) R22	HL 1 - HL 2
Fire protection for rail vehicles (DIN EN 45545-2) R23	HL 1 - HL 2
Fire protection for rail vehicles (DIN EN 45545-2) R24	HL 1 - HL 2

Environmental and real-life conditions

Ambient conditions

Degree of protection	IP20 (not assessed by UL)
Ambient temperature (operation)	-40 °C ... 70 °C

MINI MCR-2-T-2RO-PT - Limit value switch



2906877

<https://www.phoenixcontact.com/us/products/2906877>

Ambient temperature (storage/transport)	-40 °C ... 85 °C
Altitude	≤ 2000 m
Permissible humidity (operation)	5 % ... 95 % (non-condensing)

Approvals

CE

Certificate	CE-compliant
-------------	--------------

ATEX

Identification	⊕ II 3 G Ex ec IIC T4 Gc
Certificate	BVS 20 ATEX E 024 X

IECEX

Identification	Ex ec IIC T4 Gc
Certificate	IECEX BVS 20.0017X

CCC / China-Ex

Identification	Ex nA IIC T4 Gc
Certificate	NEPSI GYJ21.1041X

UL, USA/Canada

Identification	UL 508 Listed
	Class I, Div. 2, Groups A, B, C, D T6
	Class I, Zone 2, Group IIC T6

Shipbuilding approval

Certificate	DNV GL TAA000021E Rev. 1
-------------	--------------------------

EAC Ex

Identification	Ex ec IIC T4 Gc
Certificate	BY/112 02.01 TP012 103.01 00081

Shipbuilding data

Temperature	B
Humidity	B
Vibration	A
EMC	A
Enclosure	Required protection according to the Rules shall be provided upon installation on board

EMC data

Electromagnetic compatibility	Conformance with EMC directive
Noise immunity	EN 61000-6-2
Note	When being exposed to interference, there may be minimal deviations.

Noise emission

Standards/regulations	EN 61000-6-4
-----------------------	--------------

MINI MCR-2-T-2RO-PT - Limit value switch



2906877

<https://www.phoenixcontact.com/us/products/2906877>

Standards and regulations

Electrical isolation	3-way isolation
----------------------	-----------------

GB Standard

Standards/regulations	GB 3836.1
	GB 3836.8

Mounting

Mounting type	DIN rail mounting
Assembly note	The DIN rail connector can be used for bridging the supply voltage. It can be snapped onto a 35 mm EN 60715 DIN rail.
Mounting position	any

MINI MCR-2-T-2RO-PT - Limit value switch

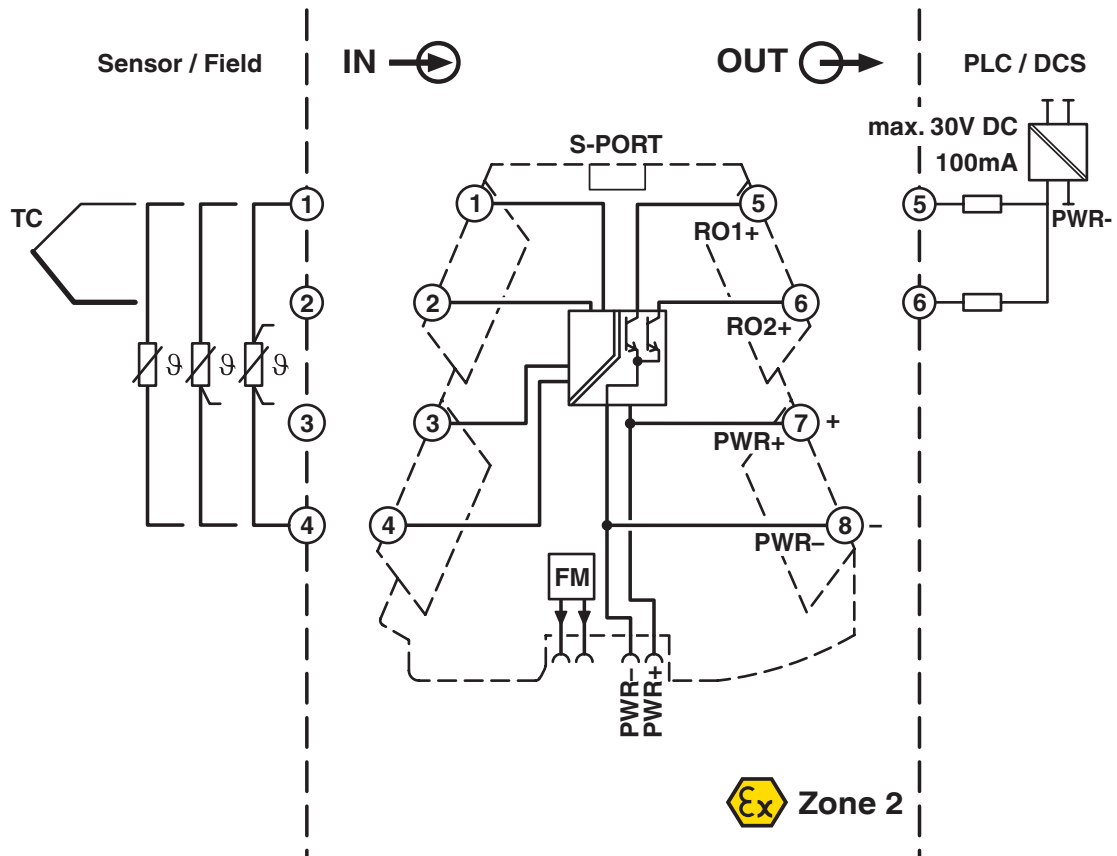


2906877

<https://www.phoenixcontact.com/us/products/2906877>

Drawings

Block diagram



MINI MCR-2-T-2RO-PT - Limit value switch



2906877

<https://www.phoenixcontact.com/us/products/2906877>

Approvals

To download certificates, visit the product detail page: <https://www.phoenixcontact.com/us/products/2906877>



EAC

Approval ID: RU*DE.*08.B.01536/19



UL Listed

Approval ID: FILE E 238705



cUL Listed

Approval ID: FILE E 238705

DNV

Approval ID: TAA000021E



IECEx

Approval ID: IECEx_BVS_20.0017X



cUL Listed

Approval ID: E196811



UL Listed

Approval ID: E196811



ATEX

Approval ID: BVS 20 ATEX E 024 X



EAC Ex

Approval ID: TR TS_S_103.01.00081



CCC

Approval ID: 2022122304115970

MINI MCR-2-T-2RO-PT - Limit value switch



2906877

<https://www.phoenixcontact.com/us/products/2906877>

Classifications

ECLASS

ECLASS-13.0	27210120
ECLASS-15.0	27210120

ETIM

ETIM 10.0	EC002653
-----------	----------

UNSPSC

UNSPSC 21.0	39121000
-------------	----------

MINI MCR-2-T-2RO-PT - Limit value switch



2906877

<https://www.phoenixcontact.com/us/products/2906877>

Environmental product compliance

EU RoHS

Fulfills EU RoHS substance requirements	Yes
Exemption	7(a), 7(c)-I

China RoHS

Environment friendly use period (EFUP)	EFUP-50
	An article-related China RoHS declaration table can be found in the download area for the respective article under "Manufacturer declaration". For all articles with EFUP-E, no China RoHS declaration table issued and required.

EU REACH SVHC

REACH candidate substance (CAS No.)	Lead(CAS: 7439-92-1)
	2,2',6,6'-tetrabromo-4,4'-isopropylidenediphenol(CAS: 79-94-7)
SCIP	58730bfc-bb49-41d4-ac8b-a46104fbacbb

Phoenix Contact 2026 © - all rights reserved
<https://www.phoenixcontact.com>

Phoenix Contact USA
586 Fulling Mill Road
Middletown, PA 17057, United States
(+717) 944-1300
info@phoenixcon.com