

TTC-6-MOV-C-60DC-UT-I - Surge protection device



2906839

<https://www.phoenixcontact.com/us/products/2906839>

Please be informed that the data shown in this PDF document is generated from our online catalog. Please find the complete data in the user documentation. Our general terms of use for downloads are valid.



Medium surge protection with integrated status indicator for one signal wire with grounded reference potential. Can be used in safety-related circuits up to SIL 3.

Your advantages

- Space-saving and cost-saving with a narrow overall width of just 6 mm
- Continuous monitoring of protective devices, plus mechanical status indicator with optional remote signaling
- Finding the right product for all possible requirements in MCR applications is easy, thanks to the complete range of products with customized features

Commercial data

Item number	2906839
Packing unit	1 pc
Minimum order quantity	1 pc
Sales key	CL23
Product key	CL2264
GTIN	4055626136950
Weight per piece (including packing)	30.5 g
Weight per piece (excluding packing)	25.26 g
Customs tariff number	85363010
Country of origin	DE

TTC-6-MOV-C-60DC-UT-I - Surge protection device



2906839

<https://www.phoenixcontact.com/us/products/2906839>

Technical data

Product properties

Product type	Surge protection for MCR technology
Product family	TERMITRAB complete
IEC test classification	C1
	C2
	C3
Type	DIN rail module, one-piece
Surge protection fault message	optical

Insulation characteristics

Overvoltage category	III
Pollution degree	2

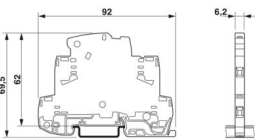
Electrical properties

Nominal voltage U_N	60 V DC
-----------------------	---------

Connection data

Connection method	Screw connection
Screw thread	M3
Tightening torque	0.5 Nm ... 0.6 Nm
Conductor cross-section flexible	0.2 mm ² ... 2.5 mm ²
Conductor cross-section rigid	0.2 mm ² ... 4 mm ²
Conductor cross-section AWG	24 ... 12

Dimensions

Dimensional drawing	
Width	6.2 mm
Height	92 mm
Depth	69.5 mm (incl. DIN rail 7.5 mm)

Material specifications

Color	gray (RAL 7042)
Flammability rating according to UL 94	V-0
Insulating material	PBT
Housing material	PBT

Mechanical properties

Mechanical data

TTC-6-MOV-C-60DC-UT-I - Surge protection device



2906839

<https://www.phoenixcontact.com/us/products/2906839>

Open side panel	Yes
-----------------	-----

Protective circuit

Direction of action	Line-Earth Ground
Nominal voltage U_N	60 V DC
Maximum continuous operating voltage U_C	75 V DC 53 V AC
Rated current	10 A (60 °C)
Operating effective current I_C at U_C	$\leq 100 \mu\text{A}$
Protective conductor current I_{PE}	$\leq 100 \mu\text{A}$
Nominal discharge current I_n (8/20) μs (line-ground)	2 kA
Voltage protection level U_p (line-earth)	$\leq 200 \text{ V}$ (C1 - 600 A) $\leq 270 \text{ V}$ (C2 - 4 kV) $\leq 190 \text{ V}$ (C3 - 25 A) $\leq 200 \text{ V}$ (C3 - 35 A)
Response time t_A (line-earth)	$\leq 25 \text{ ns}$
Input attenuation aE, asym.	typ. 0.3 dB ($\leq 200 \text{ kHz} / 150 \Omega$)
Cut-off frequency f_g (3 dB), asym. (PE) in 150 Ω system	typ. 650 kHz
Capacity (Core-Earth)	5 nF
Resistance per path	$\leq 100 \text{ m}\Omega$
Surge protection fault message	optical
Impulse durability (line-earth)	C1 - 600 A C2 - 2 kA C3 - 35 A

Environmental and real-life conditions

Ambient conditions

Degree of protection	IP20 (with end cover)
Ambient temperature (operation)	-40 °C ... 85 °C
Ambient temperature (storage/transport)	-40 °C ... 85 °C
Altitude	$\leq 4000 \text{ m}$ (amsl)
Permissible humidity (operation)	5 % ... 95 %

Standards and regulations

Standards/specifications	IEC 61643-21
Note	2000 + corrigendum 2001 + A1:2008, modified + A2:2012

EN 61643-21

Standards/specifications	EN 61643-21
Note	2001 + A1:2009 + A2:2013

Mounting

Mounting type	DIN rail: 35 mm
---------------	-----------------

TTC-6-MOV-C-60DC-UT-I - Surge protection device



2906839

<https://www.phoenixcontact.com/us/products/2906839>

Drawings

Dimensional drawing



Schematic diagram

TTC-6-MOV									
Category	1oo1 architecture, HFT=0				1oo2 architecture, HFT=1				
	PFD _{AVG}	PFH	Used budget of SIL 2 SIF		PFD _{AVG}	PFH	CCF	Used budget of SIL 3 SIF	
			PFD _{AVG}	PFH				PFD _{AVG}	PFH
	1.57x10 ⁻⁵	2.80x10 ⁻⁹ 1/h	0.2 %	0.3 %	7.87x10 ⁻⁷	1.40x10 ⁻¹⁰ 1/h	5 %	0.1 %	0.1 %
					1.57x10 ⁻⁶	2.80x10 ⁻¹⁰ 1/h	10 %	0.2 %	0.3 %
Calculation based on exida report, Phoenix Contact 16/06-072 R024 V2R0 exida Profile 1, FMEDA Analysis 2, T _{proof} : 1 year, MT: 10 years, MTTR: 24 hours, PTC: 99% Used standards IEC/EN 61508, edition 2010 (device specific) IEC/EN 61511, edition 2016 + COR1:2016 + A1:2017 (system specific)									

Functional safety scenarios

Diagram



Circuit diagram



TTC-6-MOV-C-60DC-UT-I - Surge protection device



2906839

<https://www.phoenixcontact.com/us/products/2906839>

Classifications

ECLASS

ECLASS-13.0

27171501

ETIM

ETIM 9.0

EC000943

UNSPSC

UNSPSC 21.0

39121600

TTC-6-MOV-C-60DC-UT-I - Surge protection device



2906839

<https://www.phoenixcontact.com/us/products/2906839>

Environmental product compliance

EU RoHS

Fulfills EU RoHS substance requirements	Yes, No exemptions
---	--------------------

China RoHS

Environment friendly use period (EFUP)	EFUP-E
	No hazardous substances above the limits

EU REACH SVHC

REACH candidate substance (CAS No.)	No substance above 0.1 wt%
-------------------------------------	----------------------------

EF3.1 Climate Change

CO2e kg	0.175 kg CO2e
---------	---------------

Phoenix Contact 2026 © - all rights reserved
<https://www.phoenixcontact.com>

Phoenix Contact USA
586 Fulling Mill Road
Middletown, PA 17057, United States
(+717) 944-1300
info@phoenixcon.com