

# TTC-6-1X2-24DC-UT - Surge protection device



2906798

<https://www.phoenixcontact.com/us/products/2906798>

Please be informed that the data shown in this PDF document is generated from our online catalog. Please find the complete data in the user documentation. Our general terms of use for downloads are valid.

Surge protection for a 2-wire floating signal circuit, e.g., 0(4) mA ... 20 mA current loop, HART-compatible. Can be used in safety-related circuits up to SIL 3.



## Your advantages

- Space saving with a narrow overall width of just 6 mm
- Cost-optimized with tailored product features
- Easy selection for all possible demands in MCR applications with a complete product portfolio

## Commercial data

Item number	2906798
Packing unit	1 pc
Minimum order quantity	1 pc
Sales key	CL23
Product key	CL2261
GTIN	4055626135533
Weight per piece (including packing)	38.6 g
Weight per piece (excluding packing)	38.6 g
Customs tariff number	85363010
Country of origin	US

# TTC-6-1X2-24DC-UT - Surge protection device

2906798

<https://www.phoenixcontact.com/us/products/2906798>

## Technical data

### Product properties

Product type	Surge protection for MCR technology
Product family	TERMITRAB complete
IEC test classification	C1
	C2
	C3
	D1
Type	DIN rail module, one-piece
Wire pairs per module	1

### Insulation characteristics

Overvoltage category	III
Pollution degree	2

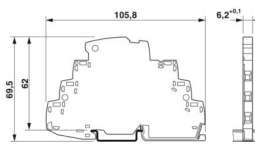
### Electrical properties

Nominal voltage $U_N$	24 V DC
-----------------------	---------

### Connection data

Connection method	Screw connection
Screw thread	M3
Tightening torque	0.5 Nm ... 0.6 Nm
Conductor cross-section flexible	0.2 mm <sup>2</sup> ... 2.5 mm <sup>2</sup>
Conductor cross-section rigid	0.2 mm <sup>2</sup> ... 4 mm <sup>2</sup>
Conductor cross-section AWG	24 ... 12

### Dimensions

Dimensional drawing	
Width	6.2 mm +0.1 mm
Height	105.8 mm
Depth	69.5 mm (incl. DIN rail 7.5 mm)

### Material specifications

Color	gray (RAL 7042)
	light gray (RAL 7035)
Flammability rating according to UL 94	V-0
Insulating material	PBT
Housing material	PBT

# TTC-6-1X2-24DC-UT - Surge protection device



2906798

<https://www.phoenixcontact.com/us/products/2906798>

## Mechanical properties

### Mechanical data

Open side panel	No
-----------------	----

### Protective circuit

Direction of action	Line-Line & Line-Signal Ground/Shield & optional Signal Ground/Shield-Earth Ground
Nominal voltage $U_N$	24 V DC
Maximum continuous operating voltage $U_C$	30 V DC
	21 V AC
Rated current	600 mA (40 °C)
Operating effective current $I_C$ at $U_C$	$\leq 5 \mu A$
Protective conductor current $I_{PE}$	$\leq 1 \mu A$
Nominal discharge current $I_n$ (8/20) $\mu s$ (line-line)	5 kA
Nominal discharge current $I_n$ (8/20) $\mu s$ (line-ground)	5 kA
Pulse discharge current $I_{imp}$ (10/350) $\mu s$ (line-line)	0.5 kA
Pulse discharge current $I_{imp}$ (10/350) $\mu s$ (line-earth)	0.5 kA
Total discharge current $I_{Total}$ (8/20) $\mu s$	10 kA
Output voltage limitation at 1 kV/ $\mu s$ (wire-wire)	$\leq 45 V$
Voltage protection level $U_p$ (line-line)	$\leq 55 V$ (C1 - 1 kV / 500 A)
	$\leq 65 V$ (C2 - 10 kV / 5 kA)
	$\leq 50 V$ (C3 - 25 A)
	$\leq 55 V$ (C3 - 100 A)
Voltage protection level $U_p$ (line-earth)	$\leq 750 V$ (C1 - 1 kV / 500 A)
	$\leq 750 V$ (C2 - 10 kV / 5 kA)
	$\leq 700 V$ (C3 - 25 A)
	$\leq 750 V$ (C3 - 100 A)
Voltage protection level $U_p$ static (line-line)	$\leq 50 V$ (C1 - 1 kV / 500 A)
	$\leq 65 V$ (C2 - 10 kV / 5 kA)
Voltage protection level $U_p$ static (line-earth)	$\leq 750 V$ (C1 - 1 kV / 500 A)
	$\leq 750 V$ (C2 - 10 kV / 5 kA)
Response time $t_A$ (line-line)	$\leq 1 ns$
Response time $t_A$ (line-earth)	$\leq 100 ns$
Input attenuation aE, sym.	typ. 0.3 dB ( $\leq 250 kHz / 150 \Omega$ )
	typ. 0.3 dB ( $\leq 370 kHz / 100 \Omega$ )
Cut-off frequency $f_g$ (3 dB), sym. in 100 $\Omega$ system	typ. 1310 kHz
Cut-off frequency $f_g$ (3 dB), sym. in 150 $\Omega$ system	typ. 940 kHz
Capacity (Core-Core)	typ. 2.2 nF
Resistance per path	1.65 $\Omega \pm 20 \%$
Surge protection fault message	none
Max. required back-up fuse	630 mA (FF)
Impulse durability (line-line)	C1 - 1 kV / 500 A
	C2 - 10 kV / 5 kA

# TTC-6-1X2-24DC-UT - Surge protection device



2906798

<https://www.phoenixcontact.com/us/products/2906798>

	C3 - 100 A
Impulse durability (line-earth)	C1 - 1 kV / 500 A
	C2 - 10 kV / 5 kA
	C3 - 100 A
	D1 - 500 A
Pulse reset time (line-line)	≤ 700 ms
Pulse reset time (line-earth)	≤ 1500 ms

## Additional technical data

Max. total discharge current $I_{\text{total max}} (8/20) \mu\text{s}$	20 kA (1x)
--	------------

## Environmental and real-life conditions

### Ambient conditions

Degree of protection	IP20
Ambient temperature (operation)	-40 °C ... 85 °C
Ambient temperature (storage/transport)	-40 °C ... 85 °C
Altitude	≤ 4000 m (amsl)
Permissible humidity (operation)	5 % ... 95 %

## Approvals

### Conformity/Approvals

UL, USA / Canada	Class I, Div. 2, Groups A, B, C, D T4
------------------	---------------------------------------

## Standards and regulations

Standards/specifications	IEC 61643-21
Note	2000 + corrigendum 2001 + A1:2008, modified + A2:2012

### EN 61643-21

Standards/specifications	EN 61643-21
Note	2001 + A1:2009 + A2:2013

## Mounting

Mounting type	DIN rail: TH 35 - 7.5 mm
---------------	--------------------------

# TTC-6-1X2-24DC-UT - Surge protection device

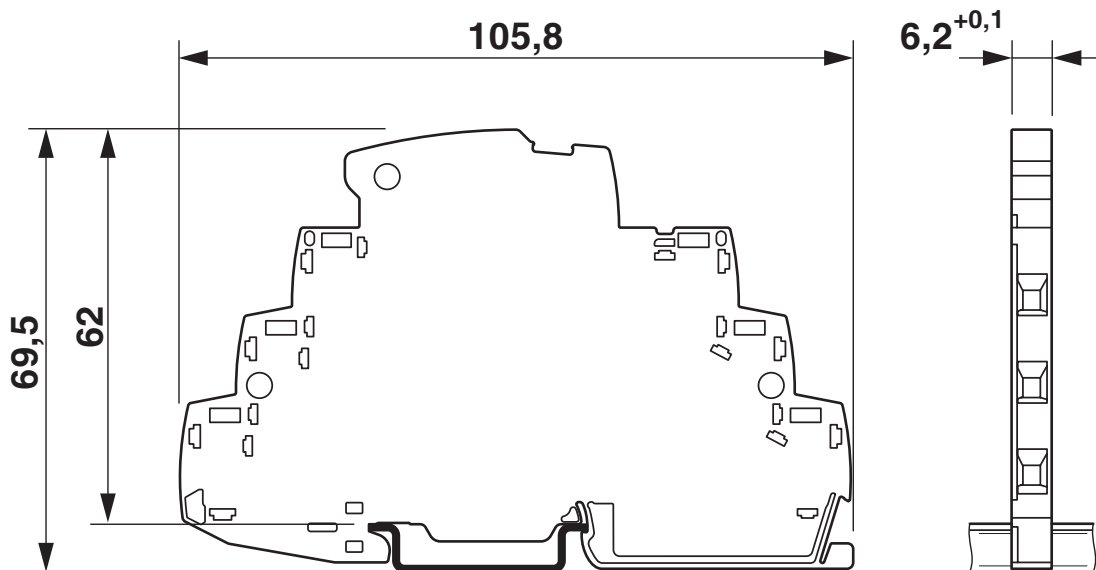


2906798

<https://www.phoenixcontact.com/us/products/2906798>

## Drawings

Dimensional drawing



Schematic diagram

TTC-6-1X2-...									
Category	1oo1 architecture, HFT=0				1oo2 architecture, HFT=1				
	PFD <sub>AVG</sub>	PFH	Used budget of SIL 2 SIF		PFD <sub>AVG</sub>	PFH	CCF	Used budget of SIL 3 SIF	
			PFD <sub>AVG</sub>	PFH				PFD <sub>AVG</sub>	PFH
	3.04x10 <sup>-5</sup>	5.40x10 <sup>-9</sup> 1/h	0.3 %	0.5 %	1.52x10 <sup>-6</sup>	2.70x10 <sup>-10</sup> 1/h	5 %	0.2 %	0.3 %
					3.04x10 <sup>-6</sup>	5.40x10 <sup>-10</sup> 1/h	10 %	0.3 %	0.5 %
Calculation based on exida report, Phoenix Contact 16/06-072 R023 V3R1 exida Profile 1, FMEDA Analysis 2, T <sub>proof</sub> : 1 year, MT: 10 years, MTTR: 24 hours, PTC: 99% Used standards IEC/EN 61508, edition 2010 (device specific) IEC/EN 61511, edition 2016 + COR1:2016 + A1:2017 (system specific)									

## Functional safety scenarios

# TTC-6-1X2-24DC-UT - Surge protection device



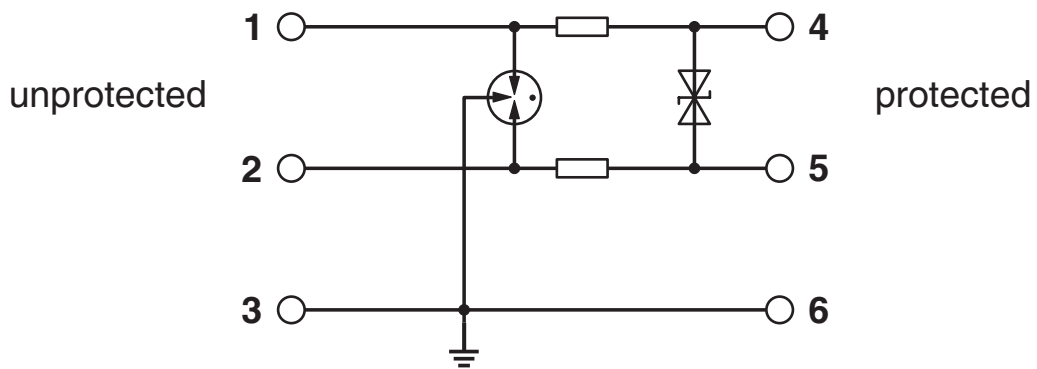
2906798

<https://www.phoenixcontact.com/us/products/2906798>

Diagram



Circuit diagram



# TTC-6-1X2-24DC-UT - Surge protection device



2906798

<https://www.phoenixcontact.com/us/products/2906798>

## Approvals

To download certificates, visit the product detail page: <https://www.phoenixcontact.com/us/products/2906798>

 **CSA**  
Approval ID: 70136717


 **DNV GL**  
Approval ID: TAE000027G


 **UL Listed**  
Approval ID: FILE E 138168

 **CSAus**  
Approval ID: 70136717

**UAE-RoHS**  
Approval ID: 22-06-16191

**Functional Safety**  
Approval ID: 16-06-072 R023 V3R1

 **cUL Listed**  
Approval ID: FILE E 333250

 **cULus Listed**  
Approval ID: File E 333250

# TTC-6-1X2-24DC-UT - Surge protection device



2906798

<https://www.phoenixcontact.com/us/products/2906798>

## Classifications

### ECLASS

ECLASS-13.0	27171501
ECLASS-15.0	27171501

### ETIM

ETIM 10.0	EC001466
-----------	----------

### UNSPSC

UNSPSC 21.0	39121600
-------------	----------

# TTC-6-1X2-24DC-UT - Surge protection device



2906798

<https://www.phoenixcontact.com/us/products/2906798>

## Environmental product compliance

### EU RoHS

Fulfills EU RoHS substance requirements	Yes
Exemption	7(a), 7(c)-I

### China RoHS

Environment friendly use period (EFUP)	EFUP-50
	An article-related China RoHS declaration table can be found in the download area for the respective article under "Manufacturer declaration". For all articles with EFUP-E, no China RoHS declaration table issued and required.

### EU REACH SVHC

REACH candidate substance (CAS No.)	Lead(CAS: 7439-92-1)
SCIP	25528658-df5e-4a25-9a74-28d661729cee

### EF3.1 Climate Change

CO2e kg	1.033 kg CO2e
---------	---------------

Phoenix Contact 2026 © - all rights reserved  
<https://www.phoenixcontact.com>

Phoenix Contact USA  
586 Fulling Mill Road  
Middletown, PA 17057, United States  
(+717) 944-1300  
[info@phoenixcon.com](mailto:info@phoenixcon.com)