

VAL-MS TE-AR/75X350/3EQP/FM - Type 2 surge protection base element



2906324

<https://www.phoenixcontact.com/us/products/2906324>

Please be informed that the data shown in this PDF document is generated from our online catalog. Please find the complete data in the user documentation. Our general terms of use for downloads are valid.



Equalizer surge protective device assembly, 3-mode, type 2 arresters for 2-wire signals up to 75 V with field disconnect terminals and form-C field monitor contact. Pass through layout separates field and house wires

Your advantages

- With floating remote indication contact
- Zero leakage current
- 3-Mode equalizer protection
- Field wire disconnect
- Pass-through for field-to-house isolation

Commercial data

Item number	2906324
Packing unit	1 pc
Minimum order quantity	1 pc
Note	Made to order (non-returnable)
Sales key	CL18
Product key	CL1151
GTIN	4055626064819
Weight per piece (including packing)	222.222 g
Weight per piece (excluding packing)	222.222 g
Customs tariff number	85363030
Country of origin	DE

VAL-MS TE-AR/75X350/3EQP/FM - Type 2 surge protection base element



2906324

<https://www.phoenixcontact.com/us/products/2906324>

Technical data

Product properties

Product type	Surge protection for NEMA power supply units
Product family	VALVETRAB MS
IEC test classification	II
EN type	T2
	T2
Type	DIN rail module, one-piece
Number of positions	3
Surge protection fault message	Optical, remote indicator contact

Electrical properties

Nominal voltage U_N	48 V AC/DC
	5 V AC ... 48 V AC
Nominal current I_N	76 A

Indicator/remote signaling

Connection name	Remote fault indicator contact
Switching function	Changeover contact, 1-pos.
Maximum operating voltage U_{max} AC	250 V AC
Maximum operating voltage U_{max} DC	30 V DC
Max. operating current I_{max}	1.5 A AC (250 V AC)
	1.5 A DC (30 V DC)
Operating voltage	5 V AC ... 250 V AC
	125 V AC (UL)
	30 V DC
Operating current	5 mA AC ... 1.5 A
	1 A (UL)
	1 A

Connection data

House (L0)

Connection method	Screw terminal block
Tightening torque	3 Nm ... 4.5 Nm (Ground)
	1.5 Nm ... 1.8 Nm (House)
	2.5 Nm ... 3 Nm (Field)
Conductor cross-section flexible	1.5 mm ² ... 35 mm ² (16 mm strip length)
	0.5 mm ² ... 15 mm ² (10 mm strip length)
	1.5 mm ² ... 25 mm ² (14 mm strip length)
	1.5 mm ² ... 35 mm ² (16 mm strip length)

VAL-MS TE-AR/75X350/3EQP/FM - Type 2 surge protection base element



2906324

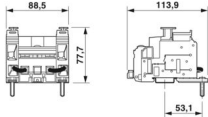
<https://www.phoenixcontact.com/us/products/2906324>

Conductor cross-section rigid	0.5 mm ² ... 15 mm ² (10 mm strip length)
	1.5 mm ² ... 25 mm ² (14 mm strip length)
Conductor cross-section AWG	15 ... 2 (16 mm strip length)
	20 ... 6 (10 mm strip length)
	12 ... 4 (14 mm strip length)

Remote fault indicator contact

Connection method	MC 1,5/3
Screw thread	M2
Tightening torque, min	0.25 Nm
Tightening torque	2 lb _F -in. ... 4 lb _F -in. (UL)
Stripping length	7 mm
Conductor cross-section flexible min.	0.14 mm ²
Conductor cross-section flexible max.	1.5 mm ²
Conductor cross-section, rigid min.	0.14 mm ²
Conductor cross-section, rigid max.	1.5 mm ²

Dimensions

Dimensional drawing	
Width	89 mm
Height	114 mm
Depth	78 mm
Horizontal pitch	5 Div.

Material specifications

Color	black (RAL 9005)
Flammability rating according to UL 94	V0
Housing material	PBT/PA

Protective circuit

Direction of action	(L+)-PE & (L-)-PE & (L+)-(L-)
Nominal voltage U _N	5 V AC ... 48 V AC
Maximum continuous operating voltage U _C	60 V
Maximum continuous operating voltage U _C (L-L)	60 V
Maximum continuous operating voltage U _C (L-PE)	230 V
	230 V
Rated load current I _L	80 A (Serial through wiring at 16 mm ²)
Protective conductor current I _{PE}	≤ 5 μA
Nominal discharge current I _n (8/20) μs (L-L)	10 kA
Nominal discharge current I _n (8/20) μs (L-PE)	10 kA

VAL-MS TE-AR/75X350/3EQP/FM - Type 2 surge protection base element



2906324

<https://www.phoenixcontact.com/us/products/2906324>

Maximum discharge current I_{\max} (8/20) μs	20 kA
Maximum discharge current I_{\max} (8/20) μs (L-L)	20 kA
Maximum discharge current I_{\max} (8/20) μs (L-PE)	20 kA
Short-circuit current rating I_{SCCR}	10 kA (L-L)
	25 kA (L-PE)
Voltage protection level U_p (L-L)	≤ 1.4 kV
Voltage protection level U_p (L-PE)	≤ 1.5 kV
Response time t_A	≤ 25 ns
Total surge current (10/350) μs	6 kA
Total surge current (8/20) μs	50 kA
Max. backup fuse with V-type through wiring	80 A (gL/gG)
Max. backup fuse with branch wiring	200 A (gL/gG)

Environmental and real-life conditions

Ambient conditions

Degree of protection	IP20 (Only when all disconnects are closed)
	IP20
Ambient temperature (operation)	-40 °C ... 80 °C
Altitude	max. 3000 m
Permissible humidity (operation)	5 % ... 95 %
Permissible humidity (storage/transport)	5 % ... 95 %
Shock (operation)	10g
Vibration (operation)	2g (0 Hz ... 200 Hz)

Standards and regulations

Air clearances and creepage distances

Standards/regulations	EN 60664-1 / EN 61643-1
-----------------------	-------------------------

Mounting

Mounting type	DIN rail mounting with additional retaining screw
---------------	---

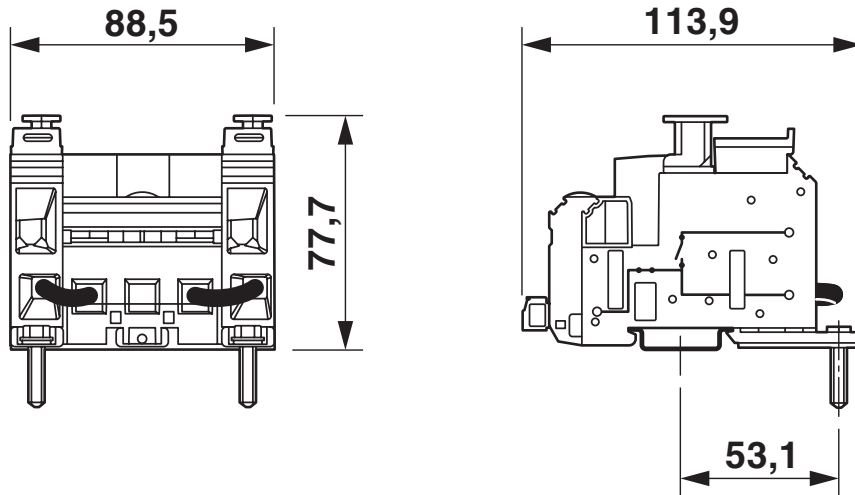
VAL-MS TE-AR/75X350/3EQP/FM - Type 2 surge protection base element

2906324

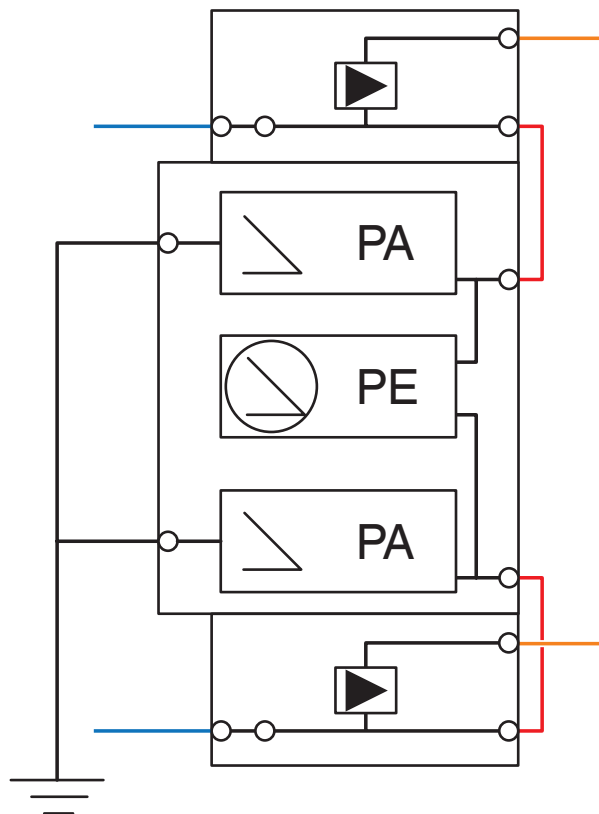
<https://www.phoenixcontact.com/us/products/2906324>

Drawings

Dimensional drawing



Circuit diagram



House wires shown as blue. Field wires shown as orange.

VAL-MS TE-AR/75X350/3EQP/FM - Type 2 surge protection base element



2906324

<https://www.phoenixcontact.com/us/products/2906324>

Classifications

ECLASS

ECLASS-13.0	27171202
-------------	----------

ETIM

ETIM 9.0	EC000941
----------	----------

UNSPSC

UNSPSC 21.0	39121620
-------------	----------

VAL-MS TE-AR/75X350/3EQP/FM - Type 2 surge protection base element



2906324

<https://www.phoenixcontact.com/us/products/2906324>

Environmental product compliance

EU RoHS

Fulfills EU RoHS substance requirements	Not applicable, Not qualified for the European market
---	---

China RoHS

Environment friendly use period (EFUP)	EFUP-50
	An article-related China RoHS declaration table can be found in the download area for the respective article under "Manufacturer declaration". For all articles with EFUP-E, no China RoHS declaration table issued and required.

EU REACH SVHC

REACH candidate substance (CAS No.)	Lead(CAS: 7439-92-1)
-------------------------------------	----------------------

Phoenix Contact 2026 © - all rights reserved
<https://www.phoenixcontact.com>

Phoenix Contact USA
586 Fulling Mill Road
Middletown, PA 17057, United States
(+717) 944-1300
info@phoenixcon.com