

# SCK-RSD-600 - Photovoltaic panel switch-off



2906273

<https://www.phoenixcontact.com/us/products/2906273>

Please be informed that the data shown in this PDF document is generated from our online catalog. Please find the complete data in the user documentation. Our general terms of use for downloads are valid.



Photovoltaic panel shutdown, start unit for the safe system start of PV systems with SOLARCHECK RSD panel shutdown. Externally supplied system topology.

## Product description

Intelligent photovoltaic panel shutdown with Auto Rapid Shutdown:

Based on the analysis of current and voltage conditions in the string lines and in the individual panels, the SOLARCHECK RSD system shutdown units are able to distinguish between the various operating states. In accordance with the fail-safe principle, any deviation from a normal operating state leads to a shutdown, regardless of whether the inverter is shut down, a string line or panel is defective, etc. The intelligent startup unit automatically puts the system back into operation when a safe and technically faultless system environment is present. SOLARCHECK RSD tracks the operating state of the inverter. The system can therefore easily be manually switched on and off via the inverter, for maintenance purposes, for example. This technology, developed and patented by Phoenix Contact, is more reliable and faster than any human assessment or manual intervention.

## Your advantages

- Safety as a result of patented error detection and safe photovoltaic panel shutdown
- Controlled restart via safe autostart
- No additional communication required, either wirelessly or via cables
- Easy to install in new and existing systems using existing DC cables
- Easy startup without any programming or manual setup

## Commercial data

Item number	2906273
Packing unit	1 pc
Minimum order quantity	1 pc
Note	Made to order (non-returnable)
Sales key	C447
Product key	CMMD21
GTIN	4055626057309
Weight per piece (including packing)	640 g
Weight per piece (excluding packing)	575 g
Customs tariff number	85371098
Country of origin	DE

# SCK-RSD-600 - Photovoltaic panel switch-off



2906273

<https://www.phoenixcontact.com/us/products/2906273>

## Technical data

### Notes

#### Utilization restriction

EMC note	EMC: class A product, see manufacturer's declaration in the download area
----------	---

### Product properties

#### Insulation characteristics

Overvoltage category	III
Pollution degree	3

### Electrical properties

Rated surge voltage	12 kV
Operating voltage range	30 V DC ... 800 V DC
Power dissipation	< 4 W

#### Supply

Designation	Power supply input
Nominal supply voltage	24 V DC $\pm$ 20 %

### Output data

#### Signal: Signal output

Voltage output signal	5 V
Current output signal	$\leq$ 10 mA

### Connection data

Connection method	PV connector
-------------------	--------------

### Dimensions

Width	160 mm
Height	230 mm
Depth	35 mm

### Environmental and real-life conditions

#### Ambient conditions

Degree of protection	IP65 IP67
Ambient temperature (operation)	-40 °C ... 75 °C
Ambient temperature (storage/transport)	-40 °C ... 75 °C
Altitude	$\leq$ 4000 m
Permissible humidity (operation)	10 % ... 95 %

# SCK-RSD-600 - Photovoltaic panel switch-off



2906273

<https://www.phoenixcontact.com/us/products/2906273>

## EMC data

Electromagnetic compatibility	Conformance with EMC directive
-------------------------------	--------------------------------

## Standards and regulations

### Standards

Standards/regulations	EN 61010
	EN 50548 +A1:2013 +A2:2014

## Mounting

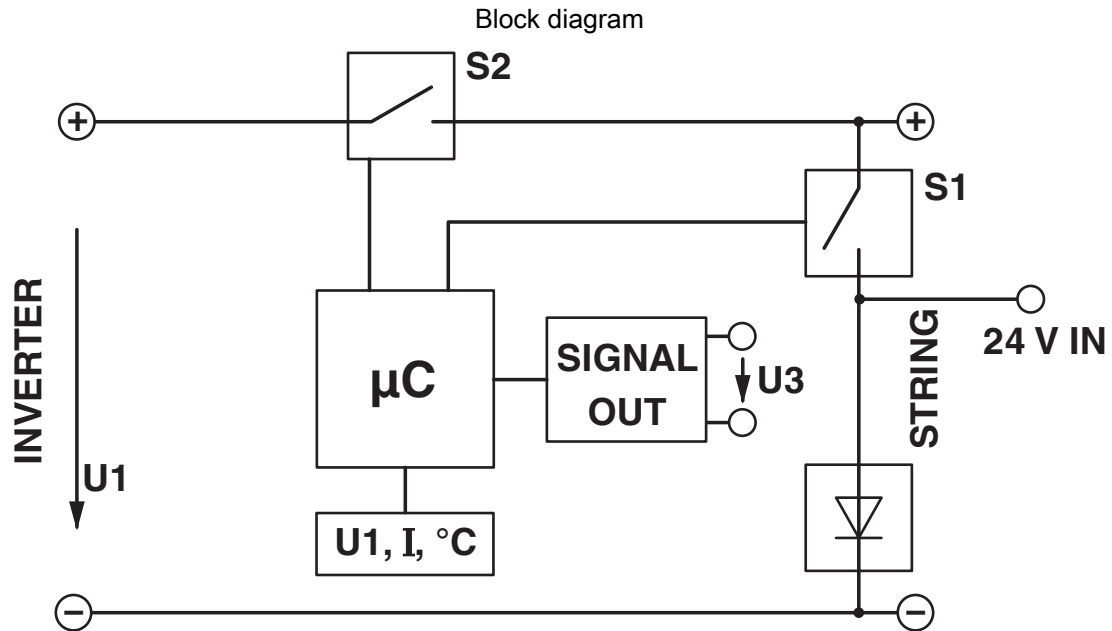
Mounting type	Mounting screws
---------------	-----------------

# SCK-RSD-600 - Photovoltaic panel switch-off

2906273

<https://www.phoenixcontact.com/us/products/2906273>

## Drawings



# SCK-RSD-600 - Photovoltaic panel switch-off



2906273

<https://www.phoenixcontact.com/us/products/2906273>

## Classifications

### ECLASS

ECLASS-13.0	27210123
ECLASS-15.0	27210123

### ETIM

ETIM 9.0	EC002475
----------	----------

## Environmental product compliance

### China RoHS

Environment friendly use period (EFUP)	EFUP-50
	An article-related China RoHS declaration table can be found in the download area for the respective article under "Manufacturer declaration". For all articles with EFUP-E, no China RoHS declaration table issued and required.

### EU REACH SVHC

REACH candidate substance (CAS No.)	No substance above 0.1 wt%
-------------------------------------	----------------------------

Phoenix Contact 2026 © - all rights reserved  
<https://www.phoenixcontact.com>

Phoenix Contact USA  
586 Fulling Mill Road  
Middletown, PA 17057, United States  
(+717) 944-1300  
[info@phoenixcon.com](mailto:info@phoenixcon.com)