

UM-D37M/DS/FU/LED/AID16/C3/R C - Termination board



2906180

<https://www.phoenixcontact.com/us/products/2906180>

Please be informed that the data shown in this PDF document is generated from our online catalog. Please find the complete data in the user documentation. Our general terms of use for downloads are valid.

VARIOFACE module intended for use with Honeywell Experion C300 16-channel analog input cards. Channels 1 to 16 feature differential inputs.



Your advantages

- These VARIOFACE modules are used in combination with the relevant front adapters
- UM-PRO housing
- DIN rail mounting, includes grounding foot
- LED blown fusing indication
- Per channel shield connection
- Per channel disconnects with test points
- Per channel pluggable 500 mA fusing
- Conformal coating of PCB

Commercial data

Item number	2906180
Packing unit	1 pc
Minimum order quantity	1 pc
Note	Made to order (non-returnable)
Sales key	C421
Product key	DK2B8H
GTIN	4055626066851
Weight per piece (including packing)	629 g
Weight per piece (excluding packing)	550 g
Customs tariff number	85371098
Country of origin	US

UM-D37M/DS/FU/LED/AID16/C3/R C - Termination board



2906180

<https://www.phoenixcontact.com/us/products/2906180>

Technical data

Product properties

Product type	Interface module
Number of positions	37
No. of channels	16

Electrical properties

Operating voltage (DC)	24 V DC
Current (per branch)	≤ 500 mA (fuse limited)

Supported controller: HONEYWELL Experion PKS C300/C-Series

Suitable I/O card	TAID01 (non-redundant)
	TAID11 (redundant)

Supported controller: HONEYWELL Experion LX Series 8

Suitable I/O card	8X-TAIDA1
	8X-TAIDB1

Connection data

Field level

Connection method	Screw connection with disconnect knife
Stripping length	8 mm
Screw thread	M 3
Conductor cross-section rigid	0.2 mm ² ... 4 mm ²
Conductor cross-section flexible	0.2 mm ² ... 2.5 mm ²
Conductor cross-section AWG	24 ... 12

Controller level

Connection method	D-SUB pin strip
Number of connections	1
Number of positions	37
Connection method	D-SUB pin strip
Number of connections	1
Number of positions	25

Signaling

Status display present	yes, if the fuse fails
------------------------	------------------------

Dimensions

Item dimensions

Width	184 mm
Height	142.3 mm
Depth	65.6 mm

UM-D37M/DS/FU/LED/AID16/C3/R C - Termination board



2906180

<https://www.phoenixcontact.com/us/products/2906180>

Environmental and real-life conditions

Ambient conditions

Ambient temperature (operation)	-40 °C ... 60 °C
Ambient temperature (storage/transport)	-40 °C ... 75 °C

Standards and regulations

Standards/regulations	DIN EN 50178
-----------------------	--------------

Mounting

Mounting type	DIN rail mounting
---------------	-------------------

Notes

Notes on operation	For proper use, the specifications of the installation directive (see Downloads) must be observed. For applications or use with third-party products, the specifications, and the safety and warning instructions of the respective third-party manufacturer must also be met.
--------------------	--

UM-D37M/DS/FU/LED/AID16/C3/R C - Termination board

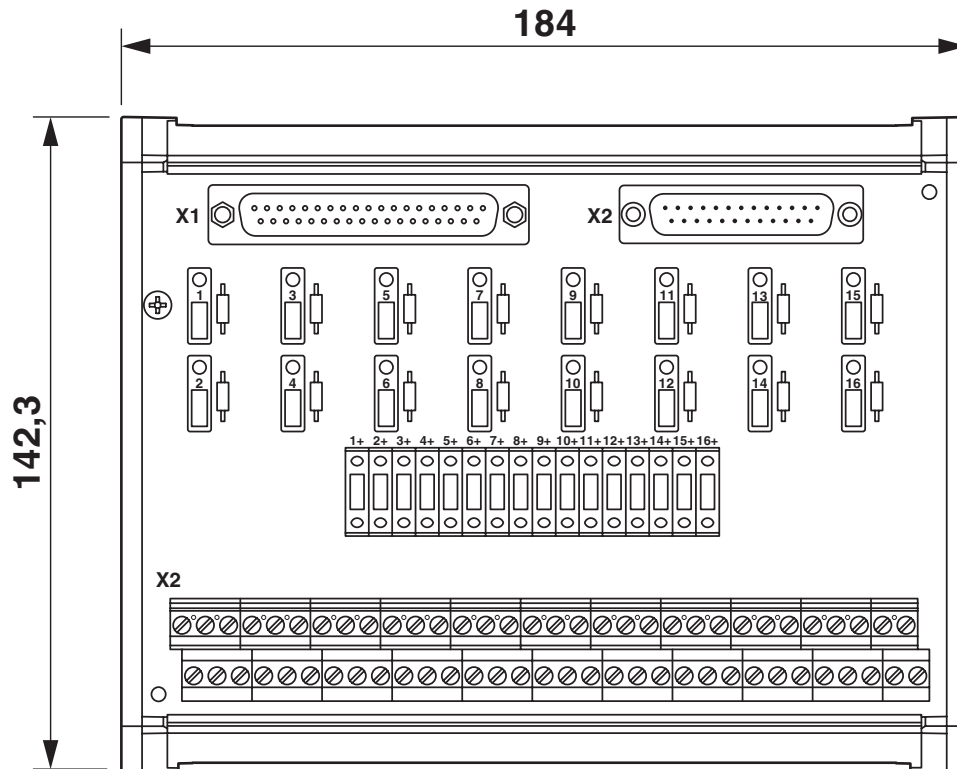


2906180

<https://www.phoenixcontact.com/us/products/2906180>

Drawings

Dimensional drawing



dimensional drawing of left hand version

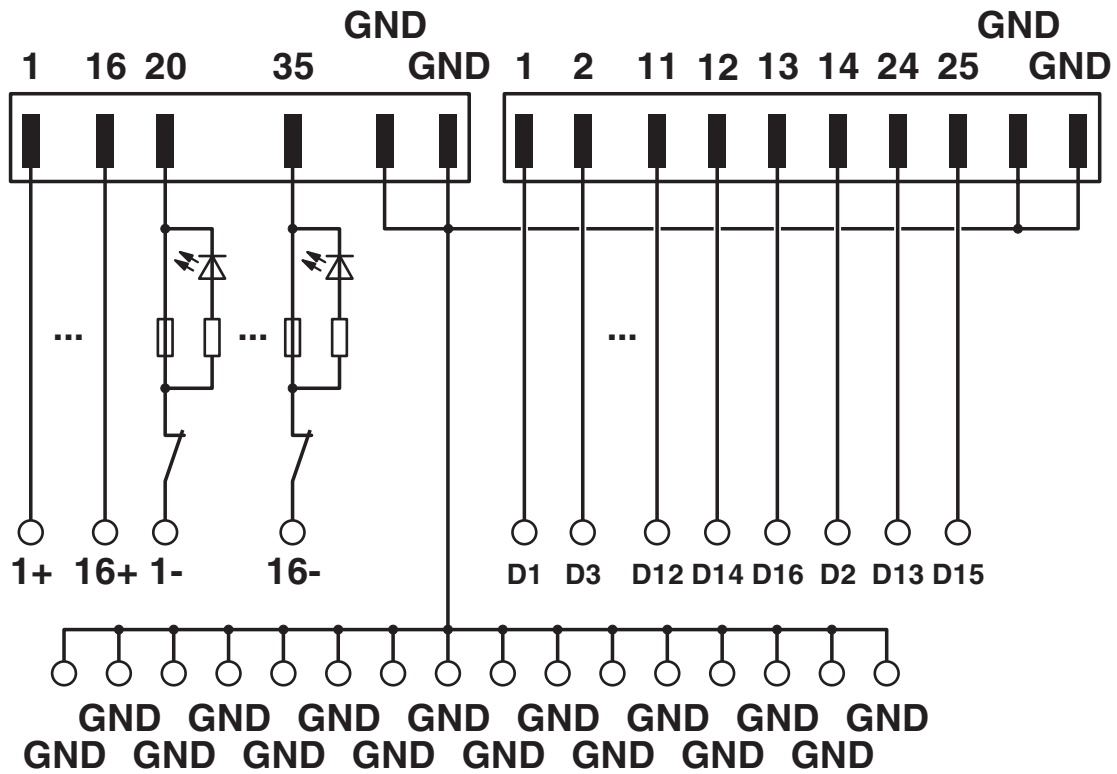
UM-D37M/DS/FU/LED/AID16/C3/R C - Termination board



2906180

<https://www.phoenixcontact.com/us/products/2906180>

Circuit diagram



UM-D37M/DS/FU/LED/AID16/C3/R C - Termination board



2906180

<https://www.phoenixcontact.com/us/products/2906180>

Approvals

To download certificates, visit the product detail page: <https://www.phoenixcontact.com/us/products/2906180>



cUL Recognized

Approval ID: E238705



UL Recognized

Approval ID: E238705

UM-D37M/DS/FU/LED/AID16/C3/R C - Termination board



2906180

<https://www.phoenixcontact.com/us/products/2906180>

Classifications

ECLASS

ECLASS-13.0	27141152
ECLASS-15.0	27141152

ETIM

ETIM 10.0	EC002780
-----------	----------

UNSPSC

UNSPSC 21.0	39121400
-------------	----------

UM-D37M/DS/FU/LED/AID16/C3/R C - Termination board



2906180

<https://www.phoenixcontact.com/us/products/2906180>

Environmental product compliance

EU RoHS

Fulfills EU RoHS substance requirements	Yes
Exemption	6(c)

China RoHS

Environment friendly use period (EFUP)	EFUP-50
	An article-related China RoHS declaration table can be found in the download area for the respective article under "Manufacturer declaration". For all articles with EFUP-E, no China RoHS declaration table issued and required.

EU REACH SVHC

REACH candidate substance (CAS No.)	Lead(CAS: 7439-92-1)
SCIP	f377c4d2-48a4-41fb-88f2-880a50089a8b

Phoenix Contact 2026 © - all rights reserved
<https://www.phoenixcontact.com>

Phoenix Contact USA
586 Fulling Mill Road
Middletown, PA 17057, United States
(+717) 944-1300
info@phoenixcon.com