

PLT-SEC-T3-BE - Type 3 surge protection base element

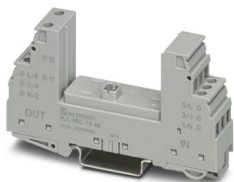


2905557

<https://www.phoenixcontact.com/us/products/2905557>

Please be informed that the data shown in this PDF document is generated from our online catalog. Please find the complete data in the user documentation. Our general terms of use for downloads are valid.

Base element for protective plugs from the PLUGTRAB SEC product series with remote indication contact.



Commercial data

Item number	2905557
Packing unit	1 pc
Note	Made to order (non-returnable)
Sales key	CL19
Product key	CL14A1
GTIN	4046356961967
Weight per piece (including packing)	59.2 g
Weight per piece (excluding packing)	56.49 g
Customs tariff number	85363030
Country of origin	DE

PLT-SEC-T3-BE - Type 3 surge protection base element



2905557

<https://www.phoenixcontact.com/us/products/2905557>

Technical data

Product properties

Product type	Replacement plug
Product family	SEC Family
Type	Base element, DIN rail mounting
Number of positions	2
Surge protection fault message	Remote indication contact

Insulation characteristics

Overvoltage category	III
Pollution degree	2
IEC test classification	III
	T3
EN type	T3
Number of ports	One

Electrical properties

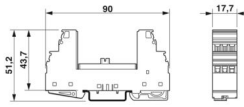
Indicator/remote signaling

Connection name	Remote fault indicator contact
Switching function	N/C contact

Connection data

Connection method	Screw connection
Screw thread	M3
Tightening torque	0.8 Nm
Conductor cross-section flexible	0.2 mm ² ... 2.5 mm ²
Conductor cross-section rigid	0.2 mm ² ... 4 mm ²
Conductor cross-section AWG	24 ... 12

Dimensions

Dimensional drawing	
Width	17.7 mm
Height	90 mm
Depth	51.2 mm (incl. DIN rail 7.5 mm)
Horizontal pitch	1 Div.

Material specifications

Flammability rating according to UL 94	V-0
CTI value of material	600

PLT-SEC-T3-BE - Type 3 surge protection base element



2905557

<https://www.phoenixcontact.com/us/products/2905557>

Insulating material	PA 6.6-FR
Material group	I
Housing material	PA 6.6-FR

Protective circuit

Nominal voltage U_N	230 V AC (TN-S)
	230 V AC (TT)
Nominal frequency f_N	50 Hz (60 Hz)
Maximum continuous operating voltage U_C	264 V AC
Rated load current I_L	26 A (30 °C)
Short-circuit current rating I_{SCCR}	1.5 kA AC
Maximum backup fuse for through wiring	25 A (gG / B / C)
Max. backup fuse with branch wiring	not required

Environmental and real-life conditions

Ambient conditions

Degree of protection	IP20
Ambient temperature (operation)	-40 °C ... 80 °C
Ambient temperature (storage/transport)	-40 °C ... 80 °C
Altitude	≤ 2000 m (amsl)
Permissible humidity (operation)	5 % ... 95 %
Shock (operation)	30g (Half-sine / 11 ms / 3x ±X, ±Y, ±Z)
Vibration (operation)	5g (10 Hz ... 150 Hz / 20 cycles/axis / X, Y, Z)

Approvals

UL specifications

Nominal voltage	230 V DC
Rated load current I_L	25 A
Power distribution system	Single phase
Nominal frequency	50/60 Hz
SPD Type	ACC

UL connection data

Conductor cross-section AWG	24 ... 12
-----------------------------	-----------

Standards and regulations

Standards/specifications	IEC 61643-11
Note	2011

EN 61643-11

Standards/specifications	EN 61643-11
Note	2012

Mounting

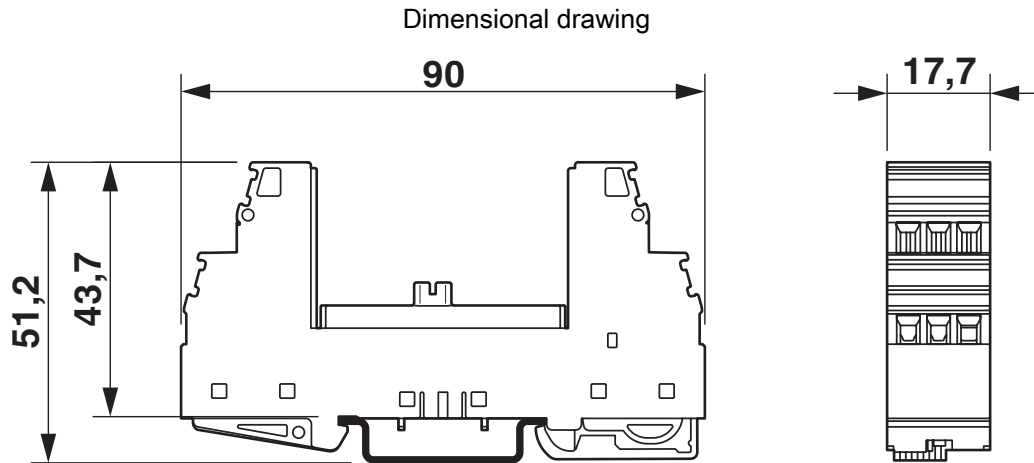
Mounting type	DIN rail: 35 mm
---------------	-----------------

PLT-SEC-T3-BE - Type 3 surge protection base element

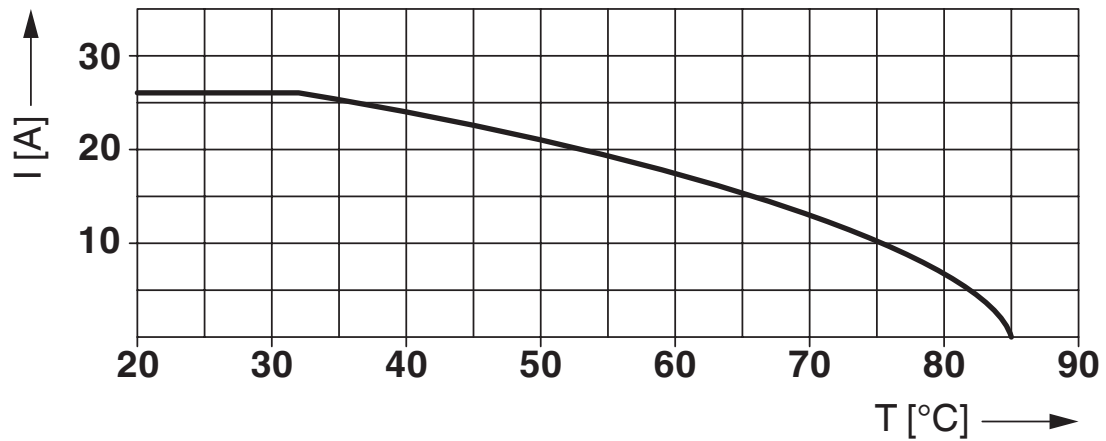
2905557

<https://www.phoenixcontact.com/us/products/2905557>

Drawings



Diagram



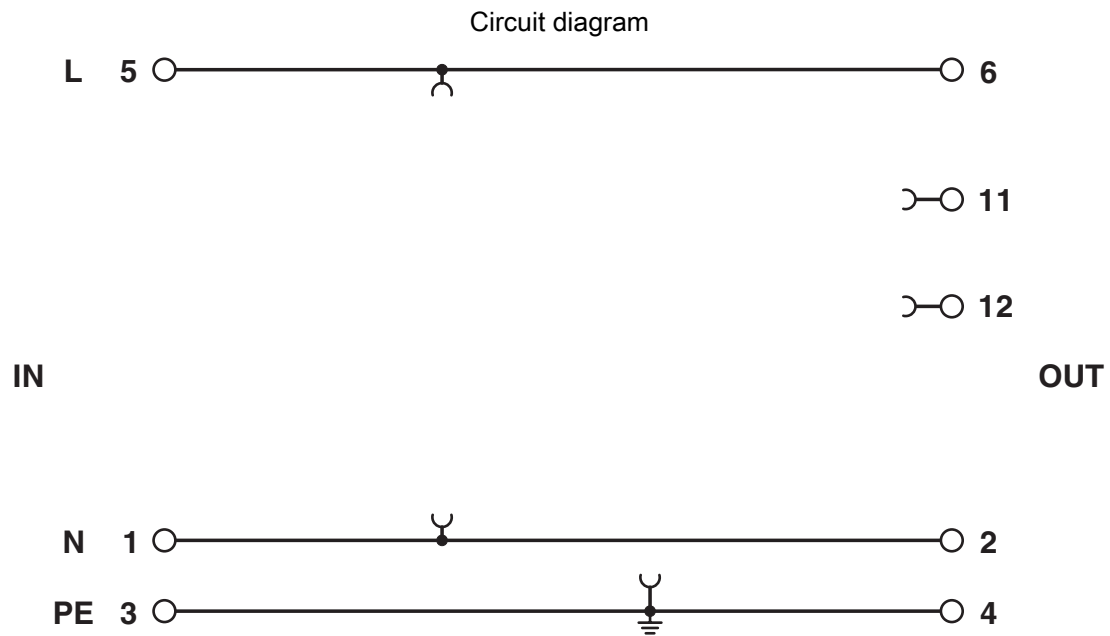
Nominal current depending on ambient temperature

PLT-SEC-T3-BE - Type 3 surge protection base element



2905557

<https://www.phoenixcontact.com/us/products/2905557>



PLT-SEC-T3-BE - Type 3 surge protection base element



2905557

<https://www.phoenixcontact.com/us/products/2905557>

Classifications

UNSPSC

UNSPSC 21.0	39121620
-------------	----------

PLT-SEC-T3-BE - Type 3 surge protection base element



2905557

<https://www.phoenixcontact.com/us/products/2905557>

Environmental product compliance

EU RoHS

Fulfills EU RoHS substance requirements	Yes, No exemptions
---	--------------------

China RoHS

Environment friendly use period (EFUP)	EFUP-50
	An article-related China RoHS declaration table can be found in the download area for the respective article under "Manufacturer declaration". For all articles with EFUP-E, no China RoHS declaration table issued and required.

EU REACH SVHC

REACH candidate substance (CAS No.)	No substance above 0.1 wt%
-------------------------------------	----------------------------

Phoenix Contact 2026 © - all rights reserved

<https://www.phoenixcontact.com>

Phoenix Contact USA
586 Fulling Mill Road
Middletown, PA 17057, United States
(+717) 944-1300
info@phoenixcon.com