

FLT-SEC-T1-350/25-P - Type 1/2 surge protection plug



2905471

<https://www.phoenixcontact.com/us/products/2905471>

Please be informed that the data shown in this PDF document is generated from our online catalog. Please find the complete data in the user documentation. Our general terms of use for downloads are valid.



Replacement plug for lightning and surge arresters from the FLASHTRAB SEC product range, for L-N and L-PEN paths.

Your advantages

- Surge protection family for universal use with optimum energy coordination from the lightning current arrester to the device protection
- Easy to maintain due to consistently pluggable protection modules
- Excellent level of information provided by mechanical/visual status indicator and remote indication contact

Commercial data

Item number	2905471
Packing unit	1 pc
Minimum order quantity	1 pc
Sales key	CL01
Product key	CL1241
GTIN	4046356950688
Weight per piece (including packing)	151.8 g
Weight per piece (excluding packing)	151.8 g
Customs tariff number	85363030
Country of origin	DE

Technical data

Notes

General

Note	Only in parallel connection with VAL-SEC-T2-350-P. The technical parameters are based on the combination of the two products.
------	---

Product properties

Product type	Replacement plug
Product family	SEC Family
IEC test classification	I / II I T1 / T2 T1
EN type	T1 / T2
IEC power supply system	TN TT
Type	Male
Number of positions	1
Surge protection fault message	optical

Insulation characteristics

Overvoltage category	III
Pollution degree	2

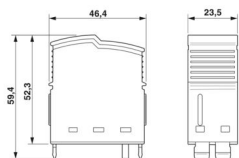
Electrical properties

Nominal frequency f_N	50 Hz (60 Hz)
-------------------------	---------------

Connection data

Connection method	pluggable
-------------------	-----------

Dimensions

Dimensional drawing	
Width	23.5 mm
Height	46.4 mm
Depth	59.4 mm
Horizontal pitch	2 Div.

Material specifications

FLT-SEC-T1-350/25-P - Type 1/2 surge protection plug



2905471

<https://www.phoenixcontact.com/us/products/2905471>

Color	light gray (RAL 7035)
Flammability rating according to UL 94	V-0
CTI value of material	600
Insulating material	PA6.6-FR 20% GF PBT-FR
Material group	I
Housing material	PA 6.6-FR 20 % GF PBT-FR

Protective circuit

Mode of protection	L-N L-PEN
Direction of action	L-N / L-PEN
Nominal voltage U_N	240 V AC (TN) 240 V AC (TT)
Nominal frequency f_N	50 Hz (60 Hz)
Maximum continuous operating voltage U_C	350 V AC
Nominal discharge current I_n (8/20) μ s	25 kA
Impulse discharge current (10/350) μ s, charge	12.5 As
Impulse discharge current (10/350) μ s, specific energy	160 kJ/ Ω
Impulse discharge current (10/350) μ s, peak value I_{imp}	25 kA
Follow current interrupt rating I_{fi}	25 kA (264 V AC) 3 kA (350 V AC)
Short-circuit current rating I_{SCCR}	25 kA (264 V AC) 3 kA (350 V AC)
Voltage protection level U_p	≤ 1.5 kV
Residual voltage U_{res}	≤ 1.5 kV (at I_n) ≤ 1.2 kV (at 10 kA) ≤ 1 kV (at 5 kA) ≤ 0.9 kV (at 3 kA)
Front-of-wave sparkover voltage at 6 kV (1.2/50) μ s	≤ 1.5 kV
TOV behavior at U_T	415 V AC (5 s / withstand mode) 457 V AC (120 min / safe failure mode)
Response time t_A	≤ 25 ns
Max. backup fuse with branch wiring	315 A (gG)

Additional technical data

Maximum discharge current I_{max} (8/20) μ s	100 kA
--	--------

Environmental and real-life conditions

Ambient conditions

Degree of protection	IP20
Ambient temperature (operation)	-40 °C ... 80 °C
Ambient temperature (storage/transport)	-40 °C ... 80 °C

FLT-SEC-T1-350/25-P - Type 1/2 surge protection plug



2905471

<https://www.phoenixcontact.com/us/products/2905471>

Altitude	≤ 2000 m (amsl)
Permissible humidity (operation)	5 % ... 95 %
Shock (operation)	30g (Half-sine / 11 ms / 3x ±X, ±Y, ±Z)
Vibration (operation)	5g (5 - 500 Hz/2.5 h/X, Y, Z)

Approvals

UL specifications

Maximum continuous operating voltage MCOV	264 V AC
Short-circuit current rating (SCCR)	50 kA
Voltage protection rating VPR	1200 V
Nominal discharge current I_n	20 kA
Mode of protection	L-N L-G
Nominal voltage	240 V AC
Power distribution system	Single phase
Nominal frequency	50/60 Hz
SPD Type	1CA

Standards and regulations

Standards/specifications	IEC 61643-11
Note	2011

EN 61643-11

Standards/specifications	EN 61643-11
Note	2012

Mounting

Mounting type	on base element
---------------	-----------------

FLT-SEC-T1-350/25-P - Type 1/2 surge protection plug

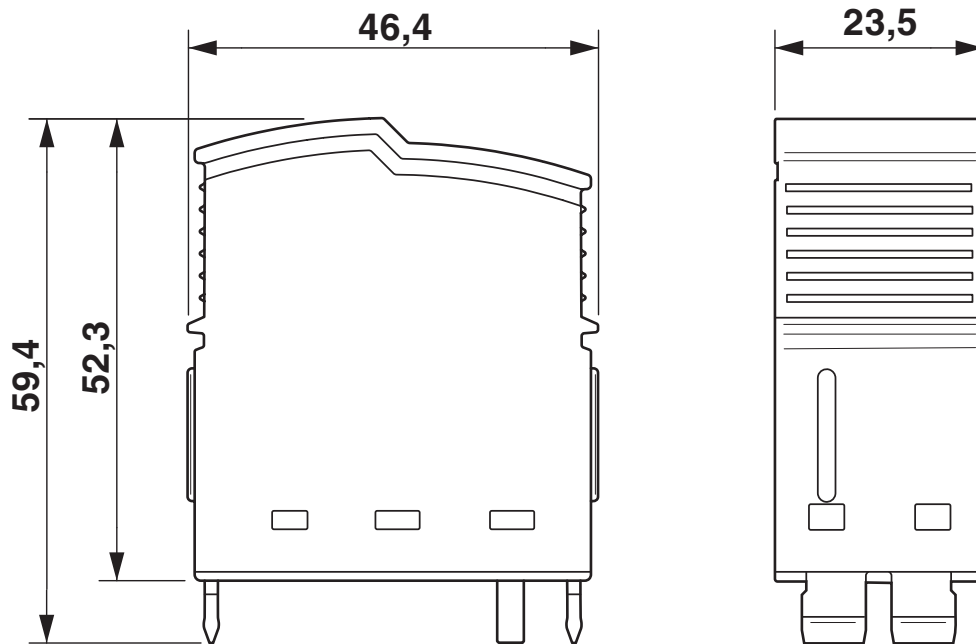


2905471

<https://www.phoenixcontact.com/us/products/2905471>

Drawings

Dimensional drawing



Circuit diagram



FLT-SEC-T1-350/25-P - Type 1/2 surge protection plug



2905471

<https://www.phoenixcontact.com/us/products/2905471>

Approvals

To download certificates, visit the product detail page: <https://www.phoenixcontact.com/us/products/2905471>



cUL Recognized

Approval ID: FILE E 330181



UL Recognized

Approval ID: FILE E 330181



IECEE CB Scheme

Approval ID: NL-58252

CCA

Approval ID: NTR-NL 7736



KEMA-KEUR

Approval ID: 71-165049

UAE-RoHS

Approval ID: 23-10-88887

FLT-SEC-T1-350/25-P - Type 1/2 surge protection plug



2905471

<https://www.phoenixcontact.com/us/products/2905471>

Classifications

ECLASS

ECLASS-13.0	27171292
ECLASS-15.0	27171292

ETIM

ETIM 10.0	EC002496
-----------	----------

UNSPSC

UNSPSC 21.0	39121600
-------------	----------

2905471

<https://www.phoenixcontact.com/us/products/2905471>

Environmental product compliance

EU RoHS

Fulfills EU RoHS substance requirements	Yes, No exemptions
---	--------------------

China RoHS

Environment friendly use period (EFUP)	EFUP-E
	No hazardous substances above the limits

EU REACH SVHC

REACH candidate substance (CAS No.)	No substance above 0.1 wt%
-------------------------------------	----------------------------

EF3.1 Climate Change

CO2e kg	3.742 kg CO2e
---------	---------------

Phoenix Contact 2026 © - all rights reserved
<https://www.phoenixcontact.com>

Phoenix Contact USA
586 Fulling Mill Road
Middletown, PA 17057, United States
(+717) 944-1300
info@phoenixcon.com