

# VAL-SEC-T2-N/PE-350-P - Type 2 surge protection plug



2905347

<https://www.phoenixcontact.com/us/products/2905347>

Please be informed that the data shown in this PDF document is generated from our online catalog. Please find the complete data in the user documentation. Our general terms of use for downloads are valid.



Replacement plug for surge arresters from the VALVETRAB SEC product range for the N-PE path.

## Your advantages

- Surge protection family for universal use with optimum energy coordination from the lightning current arrester to the device protection
- Easy to maintain due to consistently pluggable protection modules
- Excellent level of information provided by mechanical/visual status indicator and remote indication contact
- More space in the control cabinet due to the narrow overall width of just 12 mm per position and use without separate backup fuse up to 315 A gG

## Commercial data

Item number	2905347
Packing unit	1 pc
Minimum order quantity	1 pc
Sales key	CL01
Product key	CL1351
GTIN	4046356948210
Weight per piece (including packing)	51.3 g
Weight per piece (excluding packing)	50.5 g
Customs tariff number	85363090
Country of origin	DE

# VAL-SEC-T2-N/PE-350-P - Type 2 surge protection plug

2905347

<https://www.phoenixcontact.com/us/products/2905347>

## Technical data

### Product properties

Product type	Replacement plug
Product family	SEC Family
IEC test classification	II
	T2
EN type	T2
IEC power supply system	TN
	TT
Type	Male
Number of positions	1
Surge protection fault message	optical

### Insulation characteristics

Overvoltage category	III
Pollution degree	2

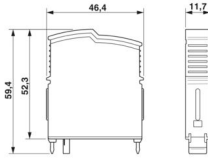
### Electrical properties

Nominal frequency $f_N$	50 Hz (60 Hz)
-------------------------	---------------

### Connection data

Connection method	pluggable
-------------------	-----------

### Dimensions

Dimensional drawing	
Width	11.7 mm
Height	46.4 mm
Depth	59.4 mm
Horizontal pitch	0.6 Div.

### Material specifications

Color	light gray (RAL 7035)
Flammability rating according to UL 94	V-0
CTI value of material	600
Insulating material	PA6.6-FR 20% GF
	PBT-FR
Material group	I
Housing material	PA 6.6-FR 20 % GF

# VAL-SEC-T2-N/PE-350-P - Type 2 surge protection plug



2905347

<https://www.phoenixcontact.com/us/products/2905347>

	PBT-FR
--	--------

## Protective circuit

Mode of protection	N-PE
Direction of action	N-PE
Nominal voltage $U_N$	240 V AC (TN - only N-PE) 240 V AC (TT - only N-PE)
Nominal frequency $f_N$	50 Hz (60 Hz)
Maximum continuous operating voltage $U_C$	264 V AC
Protective conductor current $I_{PE}$	$\leq 1 \mu A$
Nominal discharge current $I_n$ (8/20) $\mu s$	20 kA
Maximum discharge current $I_{max}$ (8/20) $\mu s$	40 kA
Follow current interrupt rating $I_{fi}$	100 A (264 V AC)
Voltage protection level $U_p$	$\leq 1.5$ kV
Residual voltage $U_{res}$	$\leq 0.5$ kV (at $I_n$ ) $\leq 0.5$ kV (at 10 kA) $\leq 0.5$ kV (at 5 kA) $\leq 0.5$ kV (at 4 kA) $\leq 0.5$ kV (at 2 kA)
Front-of-wave sparkover voltage at 6 kV (1.2/50) $\mu s$	$\leq 1.5$ kV
TOV behavior at $U_T$	1200 V AC (200 ms / withstand mode)
Response time $t_A$	$\leq 100$ ns

## Environmental and real-life conditions

### Ambient conditions

Degree of protection	IP20
Ambient temperature (operation)	-40 °C ... 80 °C
Ambient temperature (storage/transport)	-40 °C ... 80 °C
Altitude	$\leq 2000$ m (amsl)
Permissible humidity (operation)	5 % ... 95 %
Shock (operation)	30g (Half-sine / 11 ms / 3x $\pm X$ , $\pm Y$ , $\pm Z$ )
Vibration (operation)	5g (10 ... 500 Hz / 2.5 h / X, Y, Z)

## Approvals

### UL specifications

Maximum continuous operating voltage MCOV (N-G)	264 V AC
Nominal discharge current $I_n$ (N-G)	20 kA
Mode of protection	N-G
Power distribution system	Single phase
Nominal frequency	50/60 Hz
Measured limiting voltage MLV (N-G)	950 V
Follow current (L-G)	200 A (264 V AC)
SPD Type	4CA

# VAL-SEC-T2-N/PE-350-P - Type 2 surge protection plug



2905347

<https://www.phoenixcontact.com/us/products/2905347>

## Standards and regulations

Standards/specifications	IEC 61643-11
Note	2011

### EN 61643-11

Standards/specifications	EN 61643-11
Note	2012

## Mounting

Mounting type	on base element
---------------	-----------------

# VAL-SEC-T2-N/PE-350-P - Type 2 surge protection plug

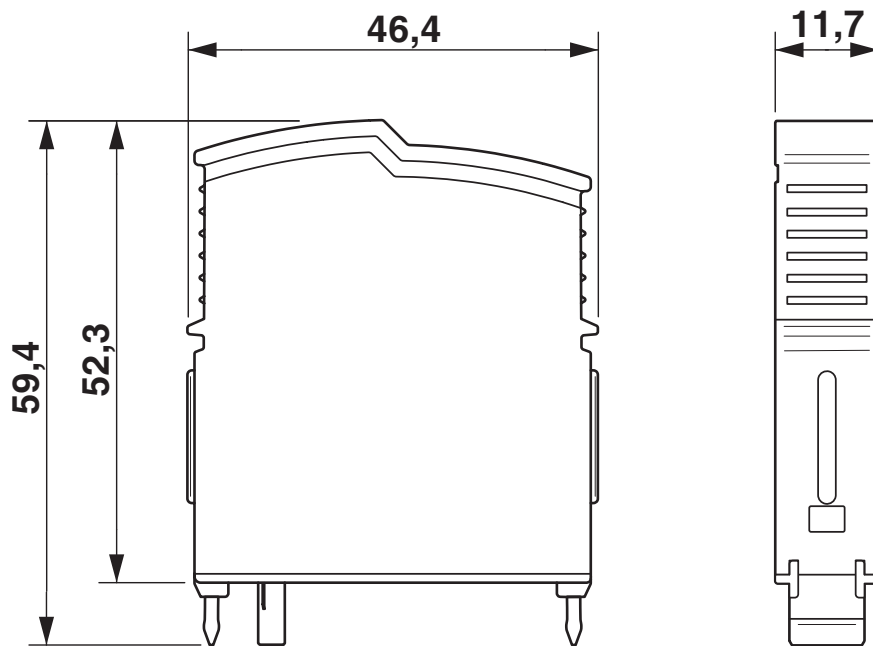


2905347

<https://www.phoenixcontact.com/us/products/2905347>

## Drawings

Dimensional drawing



Circuit diagram



# VAL-SEC-T2-N/PE-350-P - Type 2 surge protection plug



2905347

<https://www.phoenixcontact.com/us/products/2905347>

## Approvals

To download certificates, visit the product detail page: <https://www.phoenixcontact.com/us/products/2905347>



**cUL Recognized**

Approval ID: FILE E 330181



**UL Recognized**

Approval ID: FILE E 330181



**IECEE CB Scheme**

Approval ID: NL-34356

**CCA**

Approval ID: NTR-NL 7347



**KEMA-KEUR**

Approval ID: 2196453.01



**DNV GL**

Approval ID: TAE000023D

# VAL-SEC-T2-N/PE-350-P - Type 2 surge protection plug



2905347

<https://www.phoenixcontact.com/us/products/2905347>

## Classifications

### ECLASS

ECLASS-13.0	27171292
ECLASS-15.0	27171292

### ETIM

ETIM 10.0	EC002496
-----------	----------

### UNSPSC

UNSPSC 21.0	39121600
-------------	----------

# VAL-SEC-T2-N/PE-350-P - Type 2 surge protection plug



2905347

<https://www.phoenixcontact.com/us/products/2905347>

## Environmental product compliance

### EU RoHS

Fulfills EU RoHS substance requirements	Yes, No exemptions
---	--------------------

### China RoHS

Environment friendly use period (EFUP)	EFUP-E
	No hazardous substances above the limits

### EU REACH SVHC

REACH candidate substance (CAS No.)	No substance above 0.1 wt%
-------------------------------------	----------------------------

Phoenix Contact 2026 © - all rights reserved  
<https://www.phoenixcontact.com>

Phoenix Contact USA  
586 Fulling Mill Road  
Middletown, PA 17057, United States  
(+717) 944-1300  
[info@phoenixcon.com](mailto:info@phoenixcon.com)