

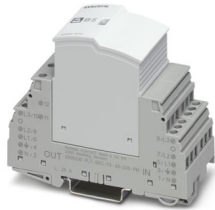
# PLT-SEC-T3-3S-230-FM - Type 3 surge protection device



2905230

<https://www.phoenixcontact.com/us/products/2905230>

Please be informed that the data shown in this PDF document is generated from our online catalog. Please find the complete data in the user documentation. Our general terms of use for downloads are valid.



Plug-in device protection, according to type 3/class III, for 3-phase power supply networks with separate N and PE (5-conductor system: L1, L2, L3, N, PE), with integrated surge-proof fuse and remote indication contact.

## Your advantages

- Surge protection family for universal use with optimum energy coordination from the lightning current arrester to the device protection
- Easy to maintain due to consistently pluggable protection modules
- Excellent level of information provided by visual status indicator and remote indication contact
- Optimal additional protection of the industrial power supply for a longer service life and increased availability of the system

## Commercial data

Item number	2905230
Packing unit	1 pc
Minimum order quantity	1 pc
Sales key	CL19
Product key	CL14A1
GTIN	4046356939706
Weight per piece (including packing)	156.3 g
Weight per piece (excluding packing)	156.3 g
Customs tariff number	85363090
Country of origin	DE

# PLT-SEC-T3-3S-230-FM - Type 3 surge protection device



2905230

<https://www.phoenixcontact.com/us/products/2905230>

## Technical data

### Product properties

Product type	Device protection
Product family	SEC Family
IEC power supply system	TN-S
	TT
Type	DIN rail module, two-section, divisible
Number of positions	4
Surge protection fault message	Optical, remote indicator contact

### Insulation characteristics

Overvoltage category	III
Pollution degree	2
IEC test classification	III
	T3
EN type	T3
Number of ports	One

### Electrical properties

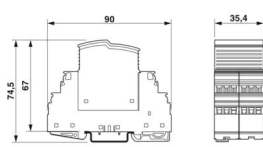
#### Indicator/remote signaling

Connection name	Remote fault indicator contact
Switching function	N/C contact
Operating voltage	250 V AC
	125 V DC (200 mA DC)
Operating current	3 A AC
	1 A DC (30 V DC)

### Connection data

Connection method	Screw connection
Screw thread	M3
Tightening torque	0.8 Nm
Conductor cross-section flexible	0.2 mm <sup>2</sup> ... 2.5 mm <sup>2</sup>
Conductor cross-section rigid	0.2 mm <sup>2</sup> ... 4 mm <sup>2</sup>
Conductor cross-section AWG	24 ... 12

### Dimensions

Dimensional drawing	
Width	35.4 mm

# PLT-SEC-T3-3S-230-FM - Type 3 surge protection device



2905230

<https://www.phoenixcontact.com/us/products/2905230>

Height	90 mm
Depth	74.5 mm (incl. DIN rail 7.5 mm)
Horizontal pitch	2 Div.

## Material specifications

Color (Male connector)	light gray (RAL 7035)
Color (Base element)	gray (RAL 7042)
Flammability rating according to UL 94	V-0
CTI value of material	600
Insulating material	PA 6.6-FR 20% GF PA 6.6-FR
Material group	I
Housing material	PA 6.6-FR 20 % GF PA 6.6-FR

## Protective circuit

Mode of protection	L-N
	L-PE
	N-PE
Direction of action	3L-N & N-PE
Nominal voltage $U_N$	230/400 V AC (TN-S)
	230/400 V AC (TT - only in use with RCD)
Nominal frequency $f_N$	50 Hz (60 Hz)
Maximum continuous operating voltage $U_C$	264 V AC
Rated load current $I_L$	26 A (30 °C)
Protective conductor current $I_{PE}$	$\leq 5 \mu A$
Standby power consumption $P_C$	$\leq 2 VA$ (at $U_{REF}$ )
	$\leq 2.2 VA$ (at $U_C$ )
Reference test voltage $U_{REF}$	255 V AC
Nominal discharge current $I_n$ (8/20) $\mu s$	3 kA
Combination wave $U_{OC}$	6 kV
Voltage protection level $U_p$ (L-N)	$\leq 1.4 kV$
Voltage protection level $U_p$ (L-PE)	$\leq 1.5 kV$
Voltage protection level $U_p$ (N-PE)	$\leq 1.5 kV$
TOV behavior at $U_T$ (L-N)	440 V AC (5 s / withstand mode)
	440 V AC (120 min / withstand mode)
	1455 V AC (200 ms / safe failure mode)
TOV behavior at $U_T$ (L-PE)	440 V AC (5 s / withstand mode)
	440 V AC (120 min / withstand mode)
	1455 V AC (200 ms / safe failure mode)
TOV behavior at $U_T$ (N-PE)	1200 V AC (200 ms / safe failure mode)
Response time $t_A$ (L-N)	$\leq 25 ns$
Response time $t_A$ (L-PE)	$\leq 100 ns$
Response time $t_A$ (N-PE)	$\leq 100 ns$
Short-circuit current rating $I_{SCCR}$	1.5 kA AC

# PLT-SEC-T3-3S-230-FM - Type 3 surge protection device



2905230

<https://www.phoenixcontact.com/us/products/2905230>

Maximum backup fuse for through wiring	25 A (gG / B / C)
Max. backup fuse with branch wiring	not required

## Environmental and real-life conditions

### Ambient conditions

Degree of protection	IP20
Ambient temperature (operation)	-40 °C ... 70 °C
Ambient temperature (storage/transport)	-40 °C ... 70 °C
Altitude	≤ 2000 m (amsl)
Permissible humidity (operation)	5 % ... 95 %
Shock (operation)	30g (Half-sine / 11 ms / 3x ±X, ±Y, ±Z)
Vibration (operation)	5g (10 Hz ... 150 Hz / 20 cycles/axis / X, Y, Z)

## Standards and regulations

Standards/specifications	IEC 61643-11
Note	2011

### EN 61643-11

Standards/specifications	EN 61643-11
Note	2012

## Mounting

Mounting type	DIN rail: 35 mm
---------------	-----------------

# PLT-SEC-T3-3S-230-FM - Type 3 surge protection device

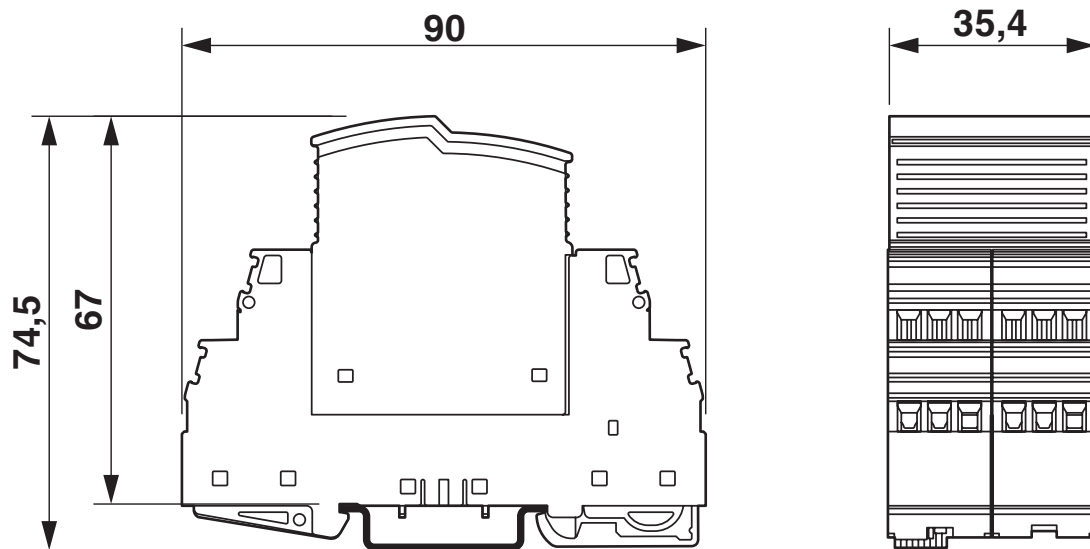


2905230

<https://www.phoenixcontact.com/us/products/2905230>

## Drawings

Dimensional drawing



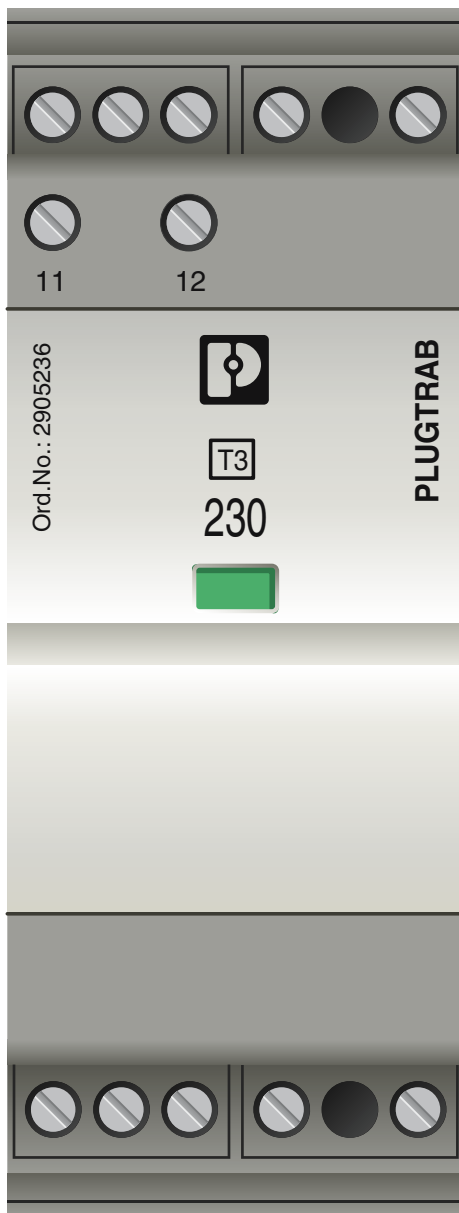
# PLT-SEC-T3-3S-230-FM - Type 3 surge protection device



2905230

<https://www.phoenixcontact.com/us/products/2905230>

Product drawing



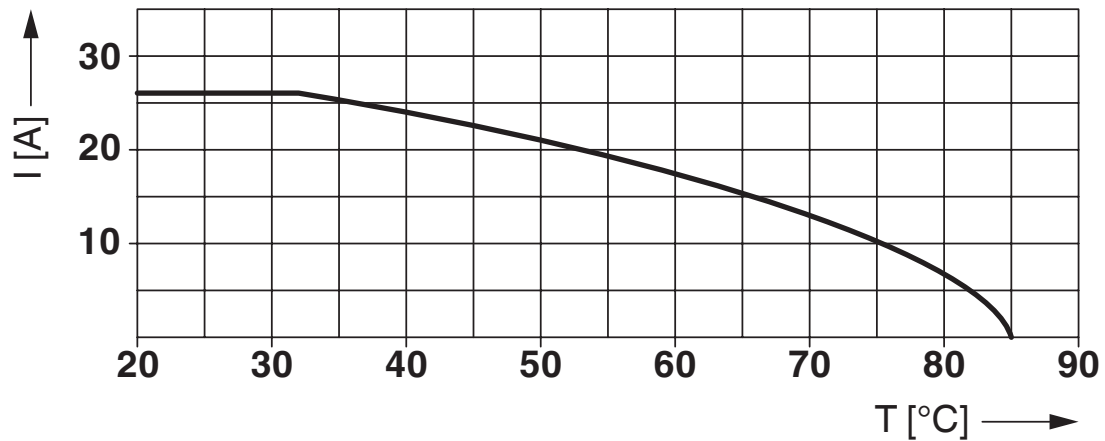
# PLT-SEC-T3-3S-230-FM - Type 3 surge protection device



2905230

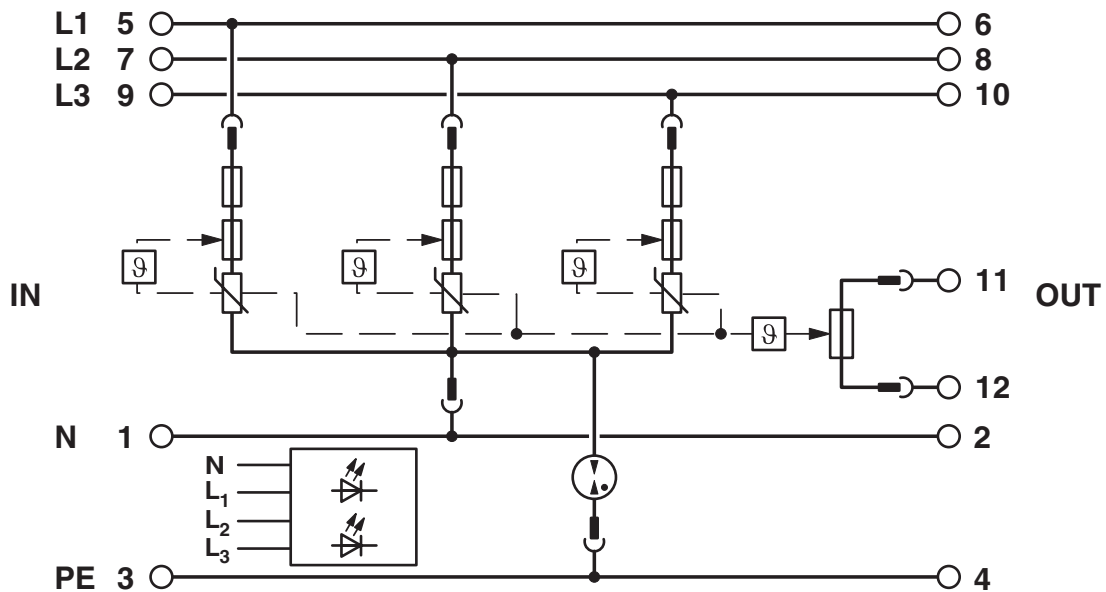
<https://www.phoenixcontact.com/us/products/2905230>

Diagram



Nominal current depending on ambient temperature

Circuit diagram



# PLT-SEC-T3-3S-230-FM - Type 3 surge protection device



2905230

<https://www.phoenixcontact.com/us/products/2905230>

## Approvals

To download certificates, visit the product detail page: <https://www.phoenixcontact.com/us/products/2905230>

### UAE-RoHS

Approval ID: 23-10-88891

# PLT-SEC-T3-3S-230-FM - Type 3 surge protection device



2905230

<https://www.phoenixcontact.com/us/products/2905230>

## Classifications

### ECLASS

ECLASS-13.0	27171203
ECLASS-15.0	27171203

### ETIM

ETIM 10.0	EC000942
-----------	----------

### UNSPSC

UNSPSC 21.0	39121600
-------------	----------

# PLT-SEC-T3-3S-230-FM - Type 3 surge protection device



2905230

<https://www.phoenixcontact.com/us/products/2905230>

## Environmental product compliance

### EU RoHS

Fulfills EU RoHS substance requirements	Yes
Exemption	7(a), 7(c)-I

### China RoHS

Environment friendly use period (EFUP)	EFUP-50
	An article-related China RoHS declaration table can be found in the download area for the respective article under "Manufacturer declaration". For all articles with EFUP-E, no China RoHS declaration table issued and required.

### EU REACH SVHC

REACH candidate substance (CAS No.)	Lead(CAS: 7439-92-1)
	6,6'-di-tert-butyl-2,2'-methylenedi-p-cresol(CAS: 119-47-1)
SCIP	738f5b0c-f978-4c3b-9656-9dc746b512c0

Phoenix Contact 2026 © - all rights reserved  
<https://www.phoenixcontact.com>

Phoenix Contact USA  
586 Fulling Mill Road  
Middletown, PA 17057, United States  
(+717) 944-1300  
[info@phoenixcon.com](mailto:info@phoenixcon.com)