

SFP 1-15/120AC/EX - EMC filter surge protection device



2905219

<https://www.phoenixcontact.com/us/products/2905219>

Please be informed that the data shown in this PDF document is generated from our online catalog. Please find the complete data in the user documentation. Our general terms of use for downloads are valid.



Device protection, according to type 3/class III, with mains interference filter to prevent high-frequency interference voltages, for 1-phase power supply networks with separate N and PE (3-conductor system: L1, N, PE), with remote indication contact. Can be used in potentially explosive areas in zone 2.

Commercial data

| | |
|--------------------------------------|--------------------------------|
| Item number | 2905219 |
| Packing unit | 1 pc |
| Note | Made to order (non-returnable) |
| Sales key | CL06 |
| Product key | CLC131 |
| GTIN | 4046356989473 |
| Weight per piece (including packing) | 628 g |
| Weight per piece (excluding packing) | 628 g |
| Customs tariff number | 85363010 |
| Country of origin | DE |

SFP 1-15/120AC/EX - EMC filter surge protection device



2905219

<https://www.phoenixcontact.com/us/products/2905219>

Technical data

Product properties

| | |
|--------------------------------|-----------------------------------|
| Product type | EMC filters |
| Product family | SFP |
| Type | DIN rail module, one-piece |
| Number of positions | 2 |
| For country-specific use in | USA, CN, BR |
| Surge protection fault message | Optical, remote indicator contact |
| IEC test classification | III |
| | T3 |
| EN type | T3 |

Electrical properties

Indicator/remote signaling

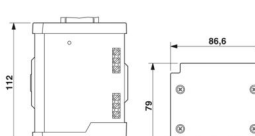
| | |
|--|--------------------------------|
| Connection name | Remote fault indicator contact |
| Switching function | Changeover contact |
| Maximum operating voltage U_{max} , AC | 250 V AC |
| Max. operating current I_{max} | 1 A (250 V AC) |
| | 0.25 A (250 V DC) |
| | 1 A (48 V DC) |

Connection data

Input/output

| | |
|---------------------------------------|---|
| Connection method | Screw terminal blocks |
| Screw thread | M3 |
| Tightening torque | 0.5 Nm ... 0.6 Nm |
| | 5 lb _F -in. ... 7 lb _F -in. |
| Conductor cross-section flexible min. | 2.5 mm ² |
| Conductor cross-section flexible max. | 4 mm ² |
| Conductor cross-section, rigid min. | 2.5 mm ² |
| Conductor cross-section, rigid max. | 6 mm ² |

Dimensions

| | |
|---------------------|--|
| Dimensional drawing |  |
| Width | 112 mm |
| Height | 93 mm |

SFP 1-15/120AC/EX - EMC filter surge protection device



2905219

<https://www.phoenixcontact.com/us/products/2905219>

| | |
|-------|-------|
| Depth | 79 mm |
|-------|-------|

Material specifications

| | |
|--|----------|
| Flammability rating according to UL 94 | V-0 |
| Insulating material | ABS |
| Housing material | Aluminum |

Mechanical properties

Mechanical data

| | |
|-----------------|----|
| Open side panel | No |
|-----------------|----|

Protective circuit

| | |
|---|--|
| Direction of action | L-N & L(N)-PE |
| Nominal frequency f_N | 50 Hz |
| | 60 Hz |
| Maximum continuous operating voltage U_C (L-N) | 150 V AC |
| Maximum continuous operating voltage U_C (L-PE) | 150 V AC |
| Nominal current I_N | 15 A (52 °C) |
| Rated load current I_L | 15 A (52 °C) |
| Protective conductor current I_{PE} | ≤ 0.5 mA |
| Operating effective current I_C at U_C | ≤ 10 mA |
| Nominal discharge current I_n (8/20) μ s (L-N) | 3 kA |
| Nominal discharge current I_n (8/20) μ s (L-PE) | 3 kA |
| Maximum discharge current I_{max} (8/20) μ s (L-N) | 10 kA |
| Maximum discharge current I_{max} (8/20) μ s (L-PE) | 10 kA |
| Energy absorption symmetrical | 170 J |
| Energy absorption, asymmetrical | 2x 170 J |
| Voltage protection level U_p (L-N) | ≤ 450 V (at 6 kV/3 kA) |
| Voltage protection level U_p (L-PE) | ≤ 450 V (at 6 kV/3 kA) |
| Voltage protection level U_p (N-PE) | ≤ 450 V (at 6 kV/3 kA) |
| Residual voltage at I_n | ≤ 450 V |
| | ≤ 450 V |
| | ≤ 450 V |
| Response time t_A (L-N) | ≤ 25 ns |
| Response time t_A (L-PE) | ≤ 25 ns |
| Response time t_A (N-PE) | ≤ 25 ns |
| Inductivity in series | 2x 1 mH ± 30 % (with current compensation) |
| Capacity (L-N) | 2 μ F ± 10 % (X2, FOW X2-250V) |
| Capacity (L-PE) | 2.2 nF ± 20 % (Y, FOW X2-250V) |
| Capacitance (N-PE) | 2.2 nF ± 20 % (Y, FOW X2-250V) |
| Max. required back-up fuse | 20 A (gL/gG) |
| | 20 A (MCB, > 125 V, AIC: 14 kA) |
| Input attenuation aE, sym. | typ. 40 dB (≥ 500 kHz/50 Ω) |
| Input attenuation aE, asym. | typ. 30 dB (≥ 1 MHz / 50 Ω) |

SFP 1-15/120AC/EX - EMC filter surge protection device



2905219

<https://www.phoenixcontact.com/us/products/2905219>

Filter data

| | |
|----------------------|----------|
| Discharge resistance | ≤ 390 kΩ |
|----------------------|----------|

Environmental and real-life conditions

Ambient conditions

| | |
|---|------------------|
| Degree of protection | IP20 |
| Ambient temperature (operation) | -25 °C ... 50 °C |
| Ambient temperature (storage/transport) | -40 °C ... 85 °C |

Standards and regulations

Standards

| | |
|-----------------------|-----------------|
| Standards/regulations | IEC 61643-1 |
| | EN 61643-11/A11 |

Air clearances and creepage distances

| | |
|--------------------------|--|
| Standards/regulations | DIN VDE 0110-1 / IEC 60664-1 / IEC 61643-1 |
| Standards/specifications | IEC 61643-1 |
| Note | 2005 |
| Standards/specifications | EN 61643-11/A11 |
| Note | 2007 |
| Standards/specifications | UL 1449 |
| Note | ed. 3: 2006 T4 for type 2 |
| Standards/specifications | UL 1283 |
| Note | ed. 5: 2005 |

Mounting

| | |
|---------------|-----------------|
| Mounting type | DIN rail: 35 mm |
|---------------|-----------------|

SFP 1-15/120AC/EX - EMC filter surge protection device

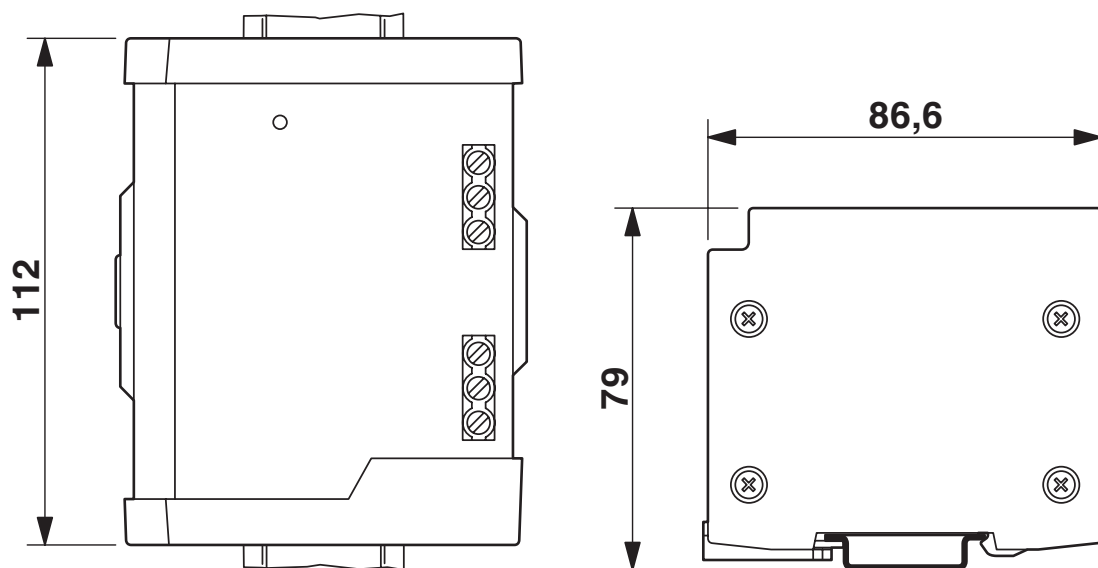


2905219

<https://www.phoenixcontact.com/us/products/2905219>

Drawings

Dimensional drawing



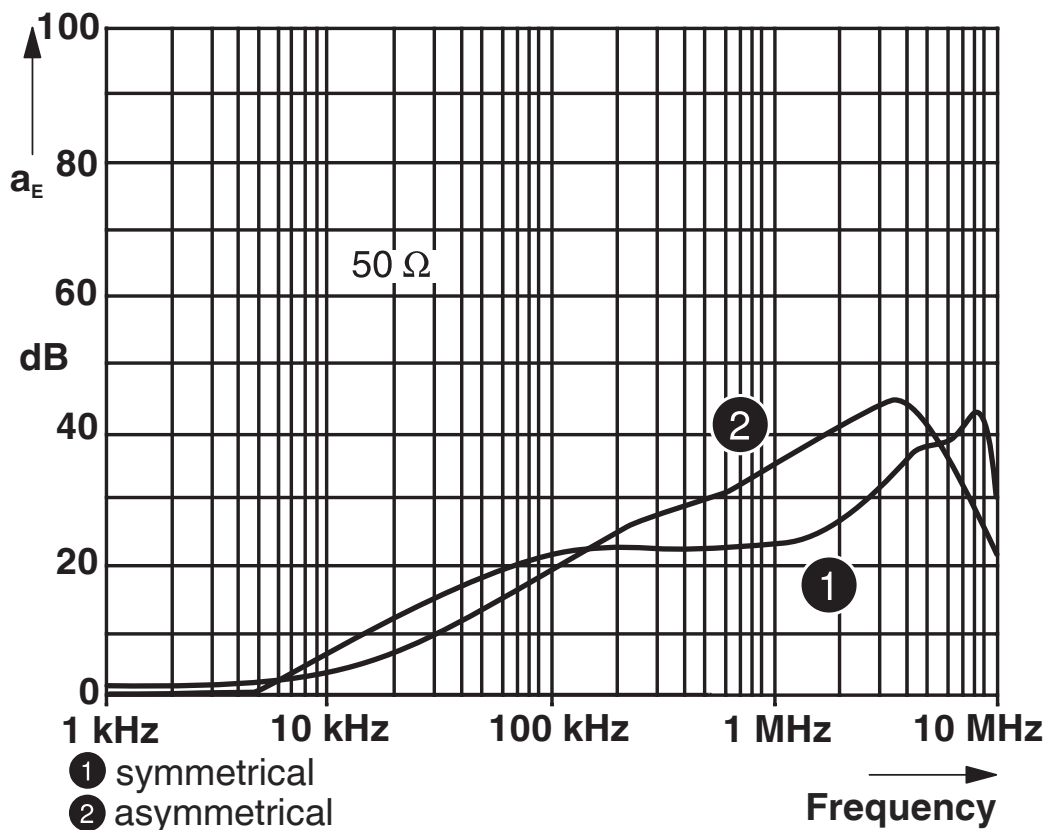
SFP 1-15/120AC/EX - EMC filter surge protection device



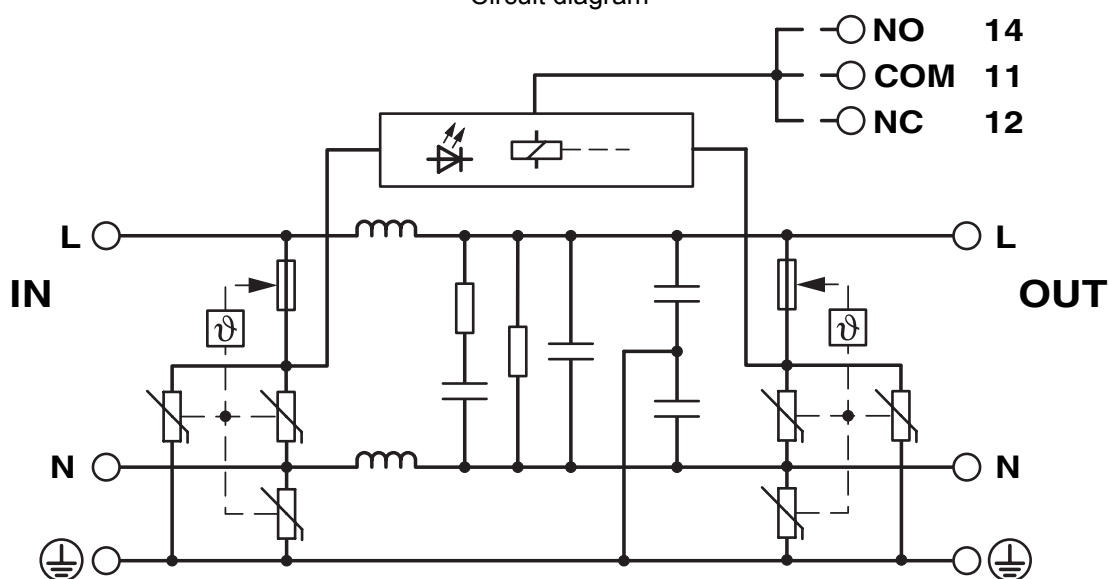
2905219

<https://www.phoenixcontact.com/us/products/2905219>

Diagram



Circuit diagram



SFP 1-15/120AC/EX - EMC filter surge protection device



2905219

<https://www.phoenixcontact.com/us/products/2905219>

Environmental product compliance

EU REACH SVHC

| REACH candidate substance (CAS No.) | No substance above 0.1 wt% |
|-------------------------------------|----------------------------|
|-------------------------------------|----------------------------|

Phoenix Contact 2026 © - all rights reserved

<https://www.phoenixcontact.com>

Phoenix Contact USA
586 Fulling Mill Road
Middletown, PA 17057, United States
(+717) 944-1300
info@phoenixcon.com