

RIF-1-V8/PT/FLK14/OUT - System connection



2905195

<https://www.phoenixcontact.com/us/products/2905195>

Please be informed that the data shown in this PDF document is generated from our online catalog. Please find the complete data in the user documentation. Our general terms of use for downloads are valid.



V8 adapter for 8 x RIF-1 relay base, controller: PLC system cabling of output cards, connection 1: Push-in connection 4x, connection 2: IDC/FLK pin strip 1x 14-position, connection 3: Plug-in connection, number of channels: 8, control logic: positive switching

Commercial data

Item number	2905195
Packing unit	1 pc
Minimum order quantity	1 pc
Note	Made to order (non-returnable)
Sales key	C421
Product key	DK21D1
GTIN	4046356946650
Weight per piece (including packing)	86.7 g
Weight per piece (excluding packing)	80 g
Customs tariff number	85366990
Country of origin	DE

Technical data

Product properties

Product type	Interface module
Product family	RIFLINE complete
Number of positions	14
No. of channels	8
Operating mode	100% operating factor

Insulation characteristics: Air clearances and creepage distances

Overvoltage category	II
Pollution degree	2

Electrical properties

Operating voltage (DC)	30 V DC
Protective circuit	Power supply; Polarity protection diode Signal level; Freewheeling diode per channel
Current (per branch)	≤ 1 A (per signal path)
Current ()	≤ 4 A (via D-SUB)

Air clearances and creepage distances

Rated insulation voltage	63 V DC
Rated surge voltage	0.6 kV (Functional insulation)

Supported controller: SIEMENS S7-1500

Suitable I/O card	6ES7522-1BH00-0AB0
	6ES7522-1BH01-0AB0
	6ES7522-1BL00-0AB0
	6ES7522-1BL01-0AB0
	6ES7522-1BP00-0AA0

Supported controller: SIEMENS S7-400

Suitable I/O card	6ES7422-1BL00-0AA0
	6ES7422-1BL00-0AA0

Supported controller: ALLEN-BRADLEY ControlLogix

Suitable I/O card	1756-OB32
	1756-OB16E

Supported controller: ALLEN-BRADLEY PLC 5

Suitable I/O card	1771 OBN
-------------------	----------

Supported controller: ALLEN-BRADLEY SLC 500

Suitable I/O card	1746 OB16
	1746 OB 32

Supported controller: HONEYWELL Experion PKS C200

RIF-1-V8/PT/FLK14/OUT - System connection



2905195

<https://www.phoenixcontact.com/us/products/2905195>

Suitable I/O card	TC-ODD 321
-------------------	------------

Supported controller: MITSUBISHI MELSEC Q

Suitable I/O card	QY81P
	QY82P

Supported controller: SIEMENS S7-300 / ET 200 M

Suitable I/O card	CPU 313C-2DP
	CPU 314C-2DP
	CPU 314C-2PtP
	6ES7322-1BH01-0AA0
	6ES7322-1BL00-0AA0
	6ES7323-1BH01-0AA0
	6ES7323-1BL00-0AA0
	CPU 313C
CPU 313C-2PtP	

Supported controller: ABB S800 I/O

Suitable I/O card	DO810
	DO840

Supported controller: EMERSON DeltaV

Suitable I/O card	VE4002S1T1B3
	VE4002S1T2B3
	VE4002S1T2B3 Series 2
	VE4002S1T2B6

Supported controller: GE-FANUC RX3i

Suitable I/O card	IC694MDL754
-------------------	-------------

Supported controller: MITSUBISHI MELSEC L

Suitable I/O card	LY41PT1P
	LY42PT1P

Connection data

Supply

Connection method	Push-in connection
Stripping length	10 mm
Number of connections	4
Conductor cross-section rigid	0.2 mm ² ... 1.5 mm ²
Conductor cross-section flexible	0.2 mm ² ... 1.5 mm ²
Conductor cross-section AWG	24 ... 16

Controller level

Connection method	IDC/FLK pin strip
Number of connections	1
Number of positions	14

RIF-1-V8/PT/FLK14/OUT - System connection



2905195

<https://www.phoenixcontact.com/us/products/2905195>

Pitch	2.54 mm
Connection method	Plug-in connection

Signaling

Status display	Yellow LED/per channel
Status display present	yes
Operating voltage display	Green LED

Dimensions

Item dimensions

Width	130.4 mm
Height	31.9 mm
Depth	38.13 mm

Material specifications

Color	gray (RAL 7042)
Housing insulation material	PA

Environmental and real-life conditions

Ambient conditions

Degree of protection	IP20
Ambient temperature (operation)	-40 °C ... 60 °C
Ambient temperature (storage/transport)	-40 °C ... 70 °C

Approvals

UL, USA

Identification	UL 508 Recognized
----------------	-------------------

CSA

Identification	CSA-C22.2 No. 14-13
	CSA-C22.2 No. 158-10

Standards and regulations

Air clearances and creepage distances

Standards/regulations	EN IEC 60664-1
-----------------------	----------------

Mounting

Assembly note	Can be plugged into 8 x RIFLINE complete RIF-1 relay bases
Mounting position	any

Notes

Notes on operation	For proper use, the specifications of the installation directive (see Downloads) must be observed. For applications or use with third-party products, the specifications, and the safety and warning
--------------------	--

RIF-1-V8/PT/FLK14/OUT - System connection



2905195

<https://www.phoenixcontact.com/us/products/2905195>

instructions of the respective third-party manufacturer must also be met.

RIF-1-V8/PT/FLK14/OUT - System connection

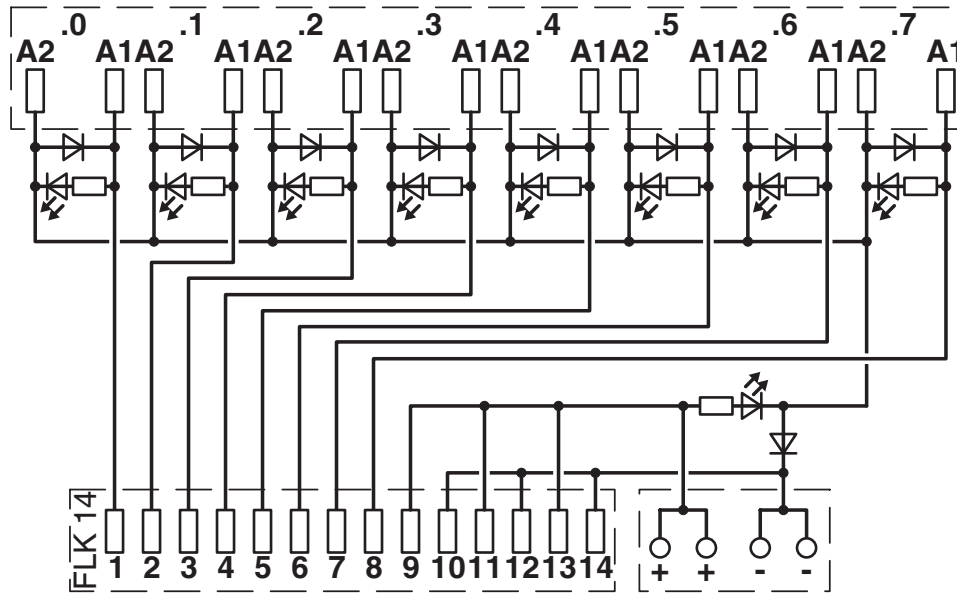


2905195

<https://www.phoenixcontact.com/us/products/2905195>

Drawings

Circuit diagram



Connection scheme for RIF-1-V8/PT/FLK14/OUT

RIF-1-V8/PT/FLK14/OUT - System connection





2905195


<https://www.phoenixcontact.com/us/products/2905195>

Approvals

To download certificates, visit the product detail page: <https://www.phoenixcontact.com/us/products/2905195>

 cUL Recognized Approval ID: E238705				
	Nominal voltage U_N	Nominal current I_N	Cross section AWG	Cross section mm^2
keine				
	24 V	1 A	-	-

 UL Recognized Approval ID: E238705				
	Nominal voltage U_N	Nominal current I_N	Cross section AWG	Cross section mm^2
keine				
	24 V	1 A	-	-

 CSA Approval ID: 76787				
--	--	--	--	--

RIF-1-V8/PT/FLK14/OUT - System connection



2905195

<https://www.phoenixcontact.com/us/products/2905195>

Classifications

ECLASS

ECLASS-13.0	27141152
ECLASS-15.0	27141152

ETIM

ETIM 10.0	EC002780
-----------	----------

UNSPSC

UNSPSC 21.0	39121400
-------------	----------

2905195

<https://www.phoenixcontact.com/us/products/2905195>

Environmental product compliance

EU RoHS

Fulfills EU RoHS substance requirements	Yes
Exemption	7(a), 7(c)-I

China RoHS

Environment friendly use period (EFUP)	EFUP-50
	An article-related China RoHS declaration table can be found in the download area for the respective article under "Manufacturer declaration". For all articles with EFUP-E, no China RoHS declaration table issued and required.

EU REACH SVHC

REACH candidate substance (CAS No.)	Lead(CAS: 7439-92-1)
SCIP	c6569905-5808-460a-b12b-e23f071cd945

Phoenix Contact 2026 © - all rights reserved

<https://www.phoenixcontact.com>

Phoenix Contact USA
586 Fulling Mill Road
Middletown, PA 17057, United States
(+717) 944-1300
info@phoenixcon.com